

# Kitchen Experience and Design Guide

Volume 9



**BOSCH**

Invented for life



# Contents

Bosch in Every Detail	5
Design Philosophy	8
Discover Bosch Benchmark® Series	10
Black Stainless Steel Kitchen	12
Industrial Style Collection	13
Small Space Living	14
Home Connect™	16
Cooktops & Rangetops	18
Built-in Wall Ovens	52
Microwaves & Drawers	84
Built-in Coffee Machine	104
Ranges	108
Ventilation	132
Dishwashers	172
Refrigeration	196
24" Compact Laundry	234
Experience Bosch	244
Customer Service	246
Warranty	247
Spec Sheet Download Tool	248





# Savor every detail of Bosch.

No place means home more than the kitchen. It's where we gather with family and friends, exhale after a long day, and savor so many of life's simple moments.

Through our products, we strive to enhance the daily quality of everyday lives. Believing that a cooktop should be a recipe for ease. That the joy of simplicity is anything but minimal. And that it's important to sometimes stop and smell the rosemary carrots. These are the true hallmarks of Bosch quality. These are the details to savor.





## America's Most Trusted Kitchen Brand 2019-2020\*

We're honored to be trusted by you and promise to always deliver lasting products that bring effortless ease and timeless style to your kitchen.

\*Bosch received the highest numerical score in the proprietary Lifestory Research 2019 and 2020 America's Most Trusted® Kitchen Brand study. Your experiences may vary. Visit [lifestoryresearch.com](http://lifestoryresearch.com)



## 485 quality checks

Every dishwasher must pass 485 quality checks—including running every single one with water—before leaving the factory. So you can rest assured that your dishwasher is built to withstand whatever life throws your way.

# Quality is in the details.

From the feel of an oven handle, to the quiet of a dishwasher, to the ease of a cooktop, we believe the products we use and interact with every day can enhance the daily quality of your life. It's these small details, obsessed upon by our engineers and repeatedly tested in our factory, that manifest as the tangible difference of Bosch quality.

## Best of Year 2020

Reviewed.com gave Bosch a perfect score in their 2020 Best of Year awards, stating, "The Bosch 800 Series with CrystalDry™ is the best dishwasher we've ever tested."

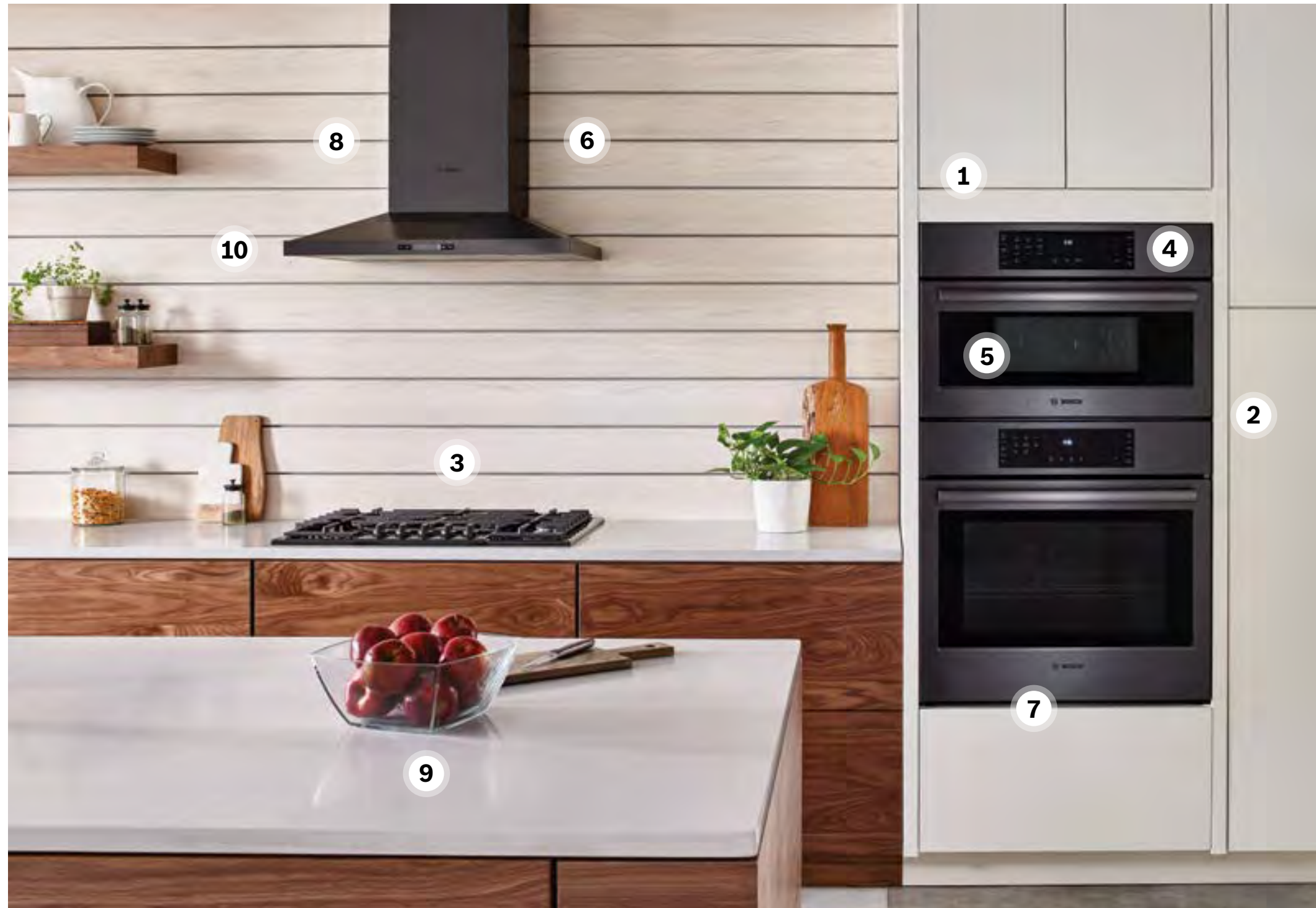


# Bosch design philosophy.

These are the principles that guide every Bosch product.

For over 100 years, Bosch appliances have embraced a tradition of timeless design that's both purposeful and beautiful. We see the beauty in simple, streamlined aesthetics that result from how our products are actually used.

- 1** Form + Function  
Bosch design is equally purposeful and beautiful, creating a lasting and rewarding user experience.
- 2** Symmetry  
Balanced, symmetrical lines offer a timeless look that's pleasing to the eye and offers a distinctive family appearance.
- 3** Proportions  
The harmonious arrangement of varying elements results in a sophisticated, well-balanced design.
- 4** Materials  
The use of premium materials makes our appliances visually arresting and offers a tactile sense of quality that you can feel.
- 5** Illumination  
Subtle, purposeful illumination enhances usability while creating an emotional connection.



- 6** Color Palette  
From classic black and white, to metallic tones and red/white accent lighting, our affinity for neutral colors helps seamlessly blend our appliances into a range of kitchens.
- 7** Alignment  
Flush, well defined surface contours, unified design elements, and tight panel gaps indicate an elevated level of engineering precision.
- 8** Subtlety  
Subtle, thoughtful details delight the user in unexpected ways and improve the overall experience of our appliances.
- 9** Integration  
From kitchen designs ranging from modern to transitional, Bosch appliances naturally integrate with any style.
- 10** Longevity  
With enduring, timeless design and lasting quality, every Bosch appliance beautifully withstands the test of time.





▲ **Steam Convection Oven** Enjoy the endless versatility of steam to cook meals that are both healthy and delicious.



▲ **MyWay® Rack** The third rack, reimagined. Maximize loading space without sacrificing it elsewhere.



▲ **FlexInduction® Cooktop** Provides more flexibility by combining two cooking zones into one larger zone.

# The Benchmark® Series.

Discover Bosch Benchmark® Series.

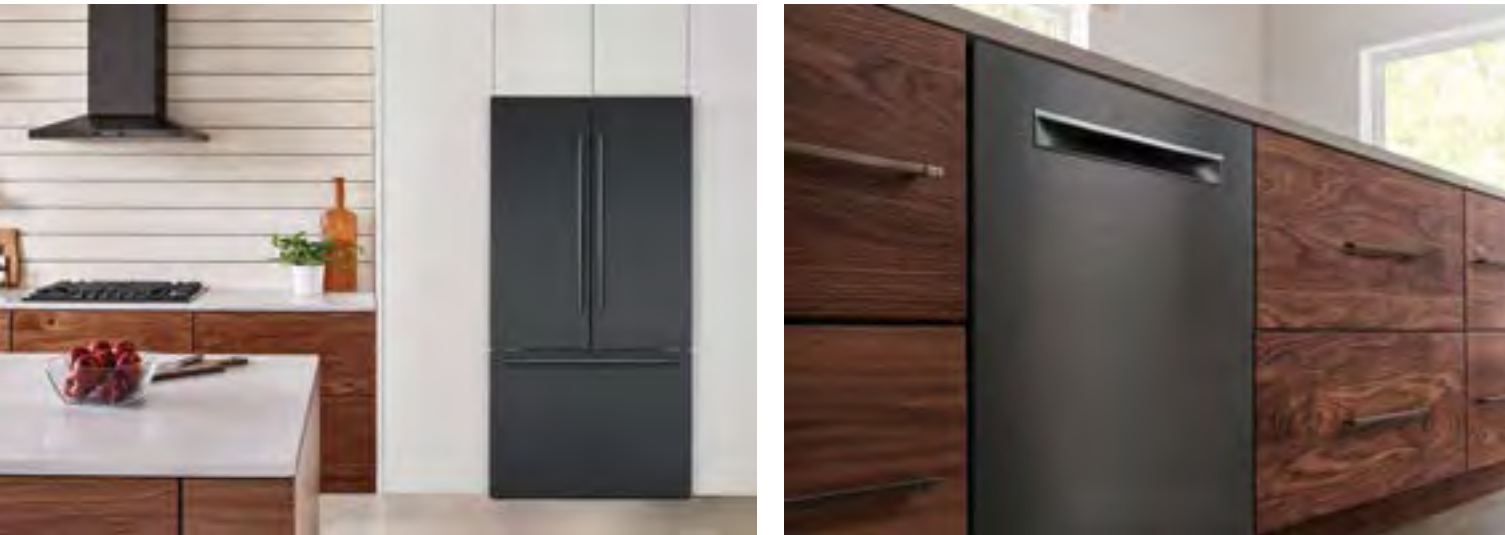
Like the name, Benchmark® Series represents the pinnacle of Bosch design and performance. Our Benchmark® Series features signature products like built-in refrigeration, steam and SideOpening wall ovens, and FlexInduction® cooktops. Designed as a suite or alone, our Benchmark® Series is sure to beautifully complement any kitchen. Available only at select dealers.



# The Black Stainless Steel Collection.

Make a statement without leaving a mark.

Behold a daring new way to design your kitchen. Built with the quality you expect from Bosch in a contemporary style, the collection is strong, sturdy, and sleek. Our black stainless steel is made from a special material, not simply a black foil coating. So our kitchen appliances help guard against scratches and fingerprints to maintain their bold look.



# Introducing the Industrial Style Collection.

Bold design meets high performance.

With a commercial-inspired design, high powered burners and Bosch quality, the new industrial-style ranges and rangetops are designed to perform. From sleek to traditional. Farmhouse to your house. In whichever look you like to cook, experience the bold versatility and high performance of the Bosch industrial-style collection.



# Small space living. The big new movement.



Small space living is no longer seen as a sacrifice or compromise. More and more, people are choosing smaller-scale living out of desire, rather than need. Designing for small spaces, especially kitchens, lends itself to embracing the beauty of simplicity and efficiency. Clean, uncluttered lines. Easy aesthetics. And smaller-scaled appliances designed in correct proportions, creating balance and harmony within the surrounding space. Bosch's suite of 18" and 24" appliances are specifically designed to fit downscaled living, without sacrificing upscale tastes. Premium in every way, Bosch small scale appliances feature the quality and performance you'd expect in full-size appliances.



< From our 24" wall ovens, which offer up to 10 cooking modes and Genuine European Convection, to our 18" dishwashers with room to fit 10 full place settings, to our 24" glass door refrigerator, Bosch's small space appliances provide efficient solutions that can elevate any kitchen or laundry space, regardless of size.

v When it comes to small spaces, less is more. Timeless design is the secret to creating smaller habitats that don't sacrifice quality or style.



Installation shown requires adequate ventilation.

▲ Provide streamlined beauty and efficiency to any project with Bosch small space appliances.

24" Pull-Out Visor Hoods  
(see page 150 for details)



24" Speed Ovens  
(see page 90 for details)



24" Refrigerators  
(see page 230 for details)



24" Compact Laundry  
(see page 236-239 for details)



24" Cooktops  
(see pages 24, 34 & 44 for details)



24" Wall Ovens  
(see page 58 for details)



18" Dishwashers  
(see page 192 for details)







# Master your day, in your own way, with Home Connect™.

Bosch is satisfying the ever-growing desire for a smart, connected home with a collection of connected appliances that bring the design, innovation, and efficiency you'd expect from Bosch. Home Connect™ is the intelligent platform that allows a variety of Bosch home appliances to be remotely monitored and controlled with a single app, for a new level of ease and convenience.

From remotely starting the dishwasher or washer at work, to keeping an eye on dinner in the oven, to brewing a frothy latte from bed, the Home Connect™ app allows you to be in effortless control from your smartphone or tablet. And with a variety of Home Connect™ partner applications such as Amazon Dash, you can even handle simple tasks like reordering dishwasher detergent. Most importantly, Home Connect™ helps you take hold of your day, in your way.

Home Connect™ partners:





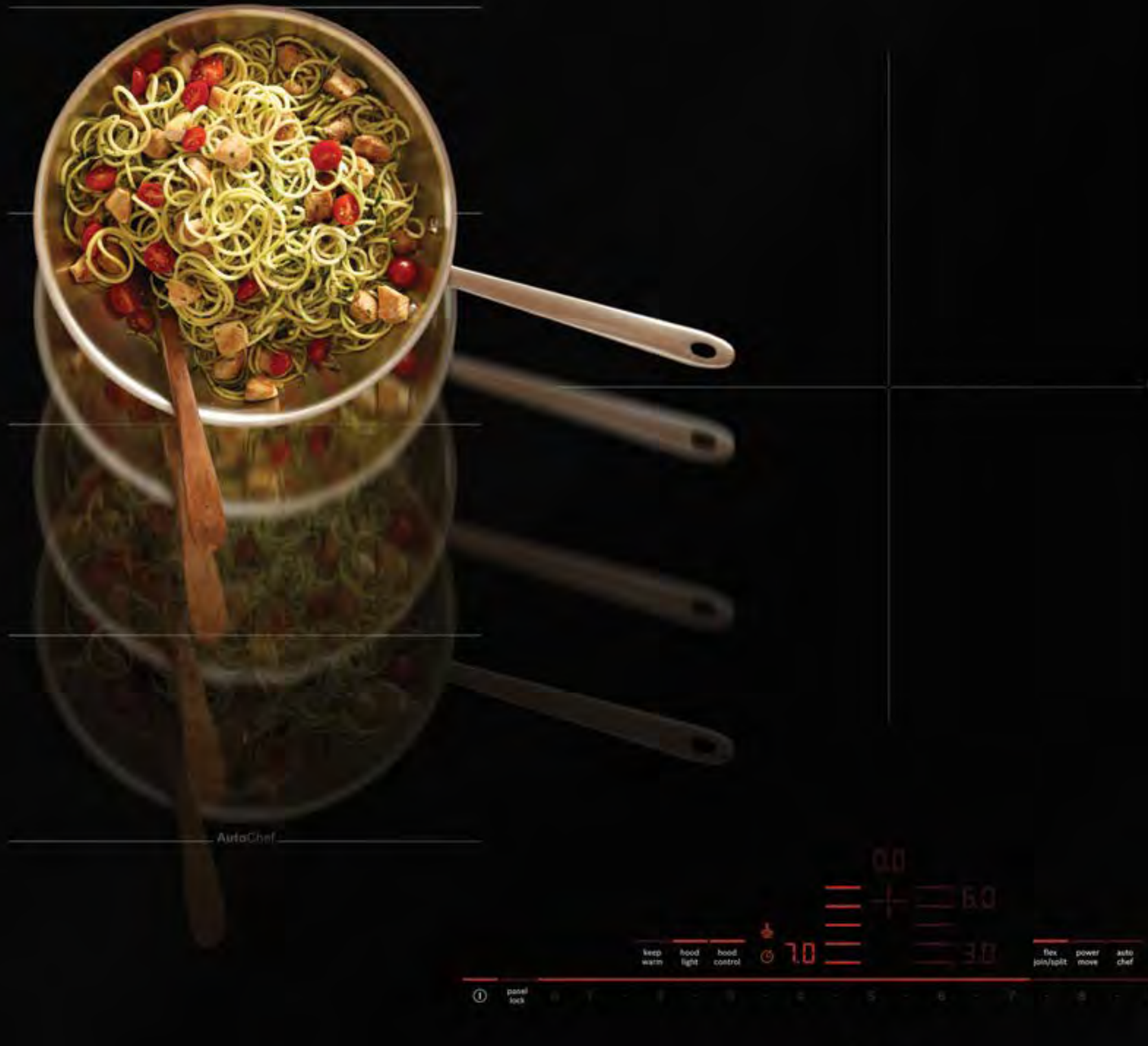
# Cooktops & Rangetops

The all new industrial-style rangetops are designed to perform with a commercial-inspired design, high powered burners and Bosch quality.

Bosch cooktops deliver perfect results with minimal effort. Whether you choose induction, gas, or electric, every Bosch cooktop combines simplicity with intuitive usability. Recipes are followed more efficiently, meals are made quickly, and cleanup happens easily.

FlameSelect® gas cooktops offer a revolutionary new level of precision. With nine predefined power levels, you no longer need to constantly check the height of your flame. Because at the end of a long day, Bosch believes cooking should bring joy, not frustration.





# Benchmark® Series Cooktops

include these exclusive features:



**FlexInduction®** allows you to combine two cooking zones into one to accommodate large pans or griddles perfectly. Or, use the cooking zones individually. Either way, enjoy even cooking—no matter the size of your pan.



**PowerMove®** lets you divide your FlexInduction® cooktop into three conveniently preset power level zones. Simply slide cookware across the cooktop into a different zone to adjust the temperature. It's great for recipes with various stages of cooking required.



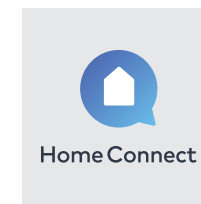
With five burners, including an 11" 3,080-watt triple-ring heating element, our 36" Benchmark® Series electric cooktop provides the ultimate **flexibility when cooking.**



The **AutoChef®** sensor regulates the temperature during frying and automatically adjusts it for you so the perfect amount of heat is applied. So every pancake comes out golden brown and every steak is seared to perfection.



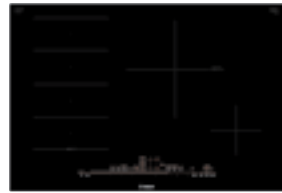
Our Benchmark® Series stainless steel gas cooktops feature a powerful 20,000 BTU center, **dual-stacked burner** that delivers faster boiling and low simmering for greater cooking flexibility.



Induction cooktops with **Home Connect™** let you remotely check if your cooktop is still on. Also, discover recipes and send the appropriate settings straight to your cooktop.

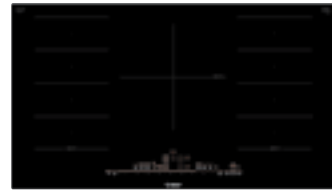


# Benchmark® Series Induction Cooktops



30" Benchmark® Series  
NITP069UC (Frameless)  
NITP069SUC (Frame)

- FlexInduction® Element
- 11" Cooking Zone
- PowerMove®
- Home Connect™
- SpeedBoost®



36" Benchmark® Series  
NITP669UC (Frameless)  
NITP669SUC (Frame)

- FlexInduction® Element
- +12" Dual-Ring Center Cooking Zone
- PowerMove®
- Home Connect™
- SpeedBoost®



+ Indicates a step-up feature

	30"	36"
	Black – NITP069UC Black with Stainless Steel Frame – NITP069SUC	Black – NITP669UC Black with Stainless Steel Frame – NITP669SUC

### General Properties

Home Connect™ (Wi-Fi Enabled)	Yes	Yes
Controls	PreciseSelect® Touch	PreciseSelect® Touch

### Element Performance

Power of full zone left & right heating element (in boost)	N/A	3,300 W (3,600 W)
Power of full zone left heating element (in boost)	3,300 W (3,600 W)	N/A
Power of front left heating element (in boost)	2,200 W (3,600 W)	2,200 W (3,600 W)
Power of back left heating element (in boost)	2,200 W (3,600 W)	2,200 W (3,600 W)
Power of center heating element (in boost)	N/A	3,300 / 2,200 W (3,700 / 3,400 W)
Power of back right heating element (in boost)	2,600 W (3,700 W)	2,200 W (3,600 W)
Power of front right heating element (in boost)	1,400 W (2,200 W)	2,200 W (3,600 W)
Burners with booster	All*	All**

### Element Size

Dimension of front left heating element	8" x 9"	7" x 8"
Dimension of back left heating element	8" x 9"	7" x 8"
Dimension of center heating element	N/A	12", 9"
Dimension of back right heating element	11"	7" x 8"
Dimension of front right heating element	6"	7" x 8"

### Technical Details

Watts	7,200 W	12,000 W
Circuit breaker	30 A	50 A
Volts	208 – 240 V	208 240 V
Frequency	60 Hz	60 Hz
Plug type	No plug	No plug
Power cord length	37"	37"
Energy source	Electric	Electric

### Dimensions & Weight

Overall appliance dimensions (HxWxD)	1/4" + 4 1/8" x 31" x 21 1/4"	5/16" + 4 1/8" x 37" x 21 1/4"
Required cutout size (HxWxD)	4 1/8" x 28 7/8" x 20"	4 1/8" x 34 7/8" x 20"
Minimum distance from counter front	2 1/4"	2 1/4"
Minimum distance from rear wall	2"	2"
Net weight	43 lbs	56 lbs

\*For 30" model Boost function may be used simultaneously in 2 zones only. See User Manual.

\*\*For 36" model Boost function may be used simultaneously in 3 zones only. See User Manual.

### Optional Accessories



HEZ390512  
Teppanyaki



HEZ9GR37UC  
17" Non-Stick  
Induction Grill



HEZ390210  
8" AutoChef® Pan  
for 6" Element



HEZ390220  
9" AutoChef® Pan\*  
for 7" Element

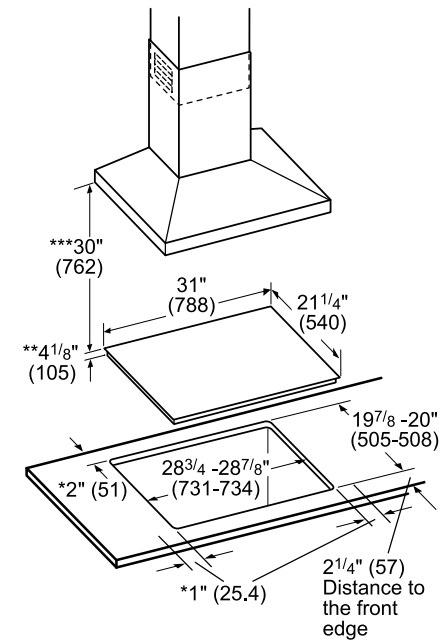


HEZ390230  
10" AutoChef® Pan  
for 8" and 9" Elements

\*For use with 36" models

# Benchmark® Series Induction Cooktops

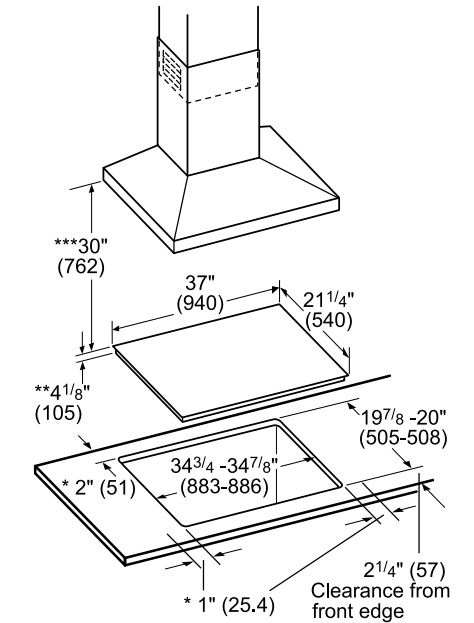
## 30" Cooktop and Cutout Dimensions



- \* Minimum distance from the cooktop cutout to the wall
- \*\* Installed depth includes 1" (26 mm) air clearance
- \*\*\* Minimum distance between surface of the cooktop and lower edge of the exhaust hood.

Dimensions in inches (mm)

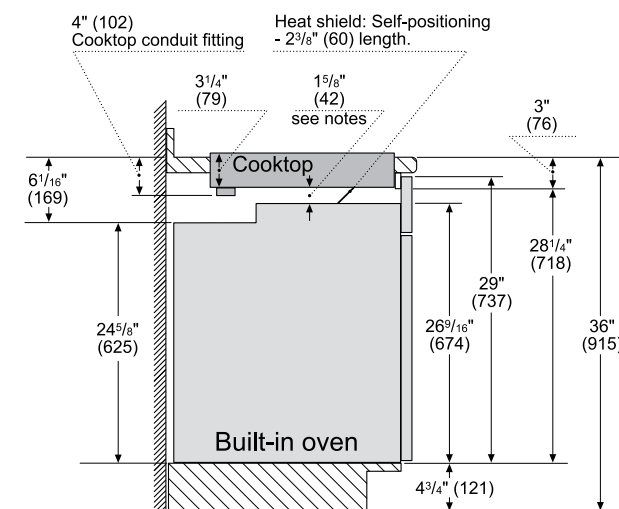
## 36" Cooktop and Cutout Dimensions



- \* Minimum clearance from the cooktop cutout to the wall
- \*\* Installed depth includes gap of 1" (26 mm) to the ventilation
- \*\*\* Minimum clearance between surface of the cooktop and lower edge of the exhaust hood.

measurements in inches (mm)

## 30" & 36" Cooktop Installation Above Wall Oven



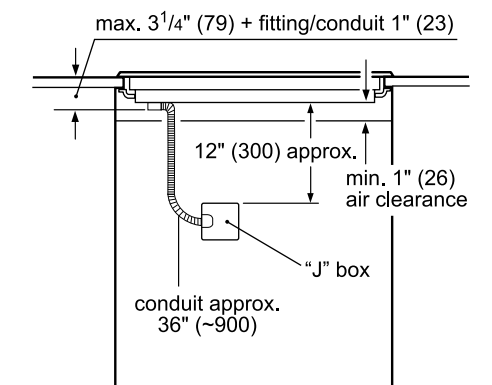
Notes:

Dimensions based on standard countertop height (36" with 3/4" toe kick including base plate).

The built-in oven can be installed below the induction cooktop as long as there is a minimum 1" (26) clearance between the bottom of the cooktop and the top of the oven.

measurements in inches (mm)

## Electrical Location



Measurements in inches (mm)

**NOTE:** Bosch induction cooktops can be installed in combination with other Bosch cooking products. See pages 82–83 for details.



# 500 Series 24" Induction Cooktop



24" 500 Series  
NIT5469UC

- 11" Cooking Zone
- 17 Power Levels
- Each Cooking Zone Has an Independent Countdown Timer
- SpeedBoost®

500 Series	
Black – NIT5469UC	

Element Performance	
Power of back left heating element	2,600 W
Power of back left heating element (in boost)	3,700 W
Power of back right heating element	1,800 W
Power of back right heating element (in boost)	3,100 W
Power of front right heating element	1,400 W
Power of front right heating element (in boost)	2,200 W
Burners with booster	All

Element Size	
Dimension of back left heating element	11"
Dimension of back right heating element	7"
Dimension of front right heating element	6"

Technical Details	
Watts	7,200 W
Circuit breaker	30 A
Volts	208 – 240 V
Frequency	60 Hz
Plug type	No plug
Power cord length	37"
Energy source	Electric

Dimensions & Weight	
Overall appliance dimensions (HxWxD)	1/4" + 4 1/8" x 24" x 20 9/16"
Required cutout size (HxWxD)	4 1/8" x 22" x 19 1/4"
Minimum distance from counter front	2 1/4"
Minimum distance from rear wall	2"
Net weight	32 lbs

### Optional Accessories



HEZ390210  
8" AutoChef® Pan  
for 6" Element



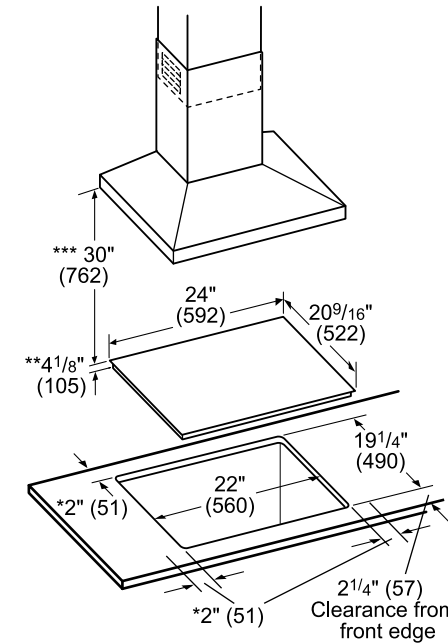
HEZ390220  
9" AutoChef® Pan  
for 7" Element



HEZ390230  
10" AutoChef® Pan  
for 8" and 9" Elements

# 500 Series 24" Induction Cooktop

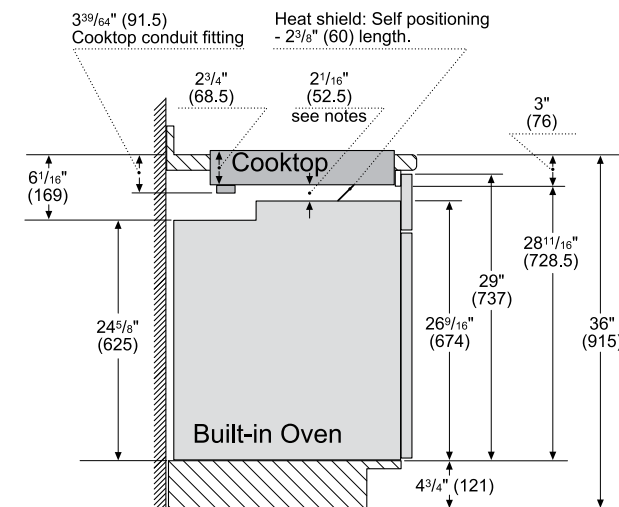
### 24" Cooktop and Cutout Dimensions



- \* Minimum clearance from the cooktop cutout to the wall
- \*\* Installed depth includes a gap of 1" (26 mm) for ventilation
- \*\*\* Minimum clearance between the cooktop surface and lower edge of the exhaust hood.

measurements in inches (mm)

### 24" Cooktop Installation Above Wall Oven



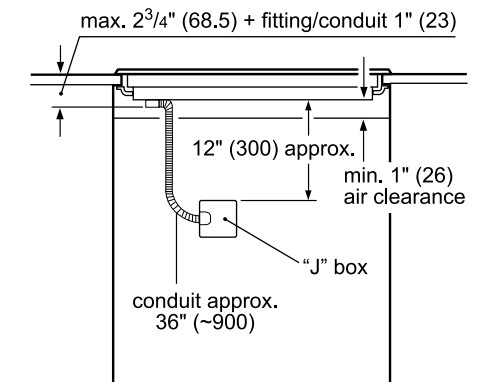
#### Notes:

Dimensions based on standard countertop height (36" with 4 3/4" toe kick including base plate).

The built-in oven can be installed below the induction cooktop as long as there is a minimum 1" (26) clearance between the bottom of the cooktop and the top of the oven.

measurements in inches (mm)

### Electrical Location



measurements in inches (mm)

**NOTE:** Bosch induction cooktops can be installed in combination with other Bosch cooking products. See pages 82–83 for details.

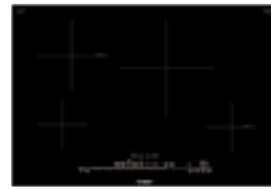


# 500 / 800 Series 30" Induction Cooktops



30" 500 Series  
NIT5068UC

- 11" Cooking Zone
- 17 Power Levels
- Each Cooking Zone Has an Independent Countdown Timer
- SpeedBoost®



30" 800 Series  
NIT8069UC (Frameless)  
NIT8069SUC (Frame)

- + AutoChef®
- + Home Connect™
- + Hood Control
- + PreciseSelect® Control
- + Framed and Frameless Options



+ Indicates a step-up feature

	500 Series	800 Series
	Black – NIT5068UC	Black – NIT8069UC Black with Stainless Steel Frame – NIT8069SUC
<b>General Properties</b>		
Home Connect™ (Wi-Fi Enabled)	No	Yes
Controls	Touch	PreciseSelect® Touch
<b>Element Performance</b>		
Power of front left heating element	1,400 W	1,400 W
Power of front left heating element (in boost)	2,200 W	2,200 W
Power of back left heating element	2,200 W	2,200 W
Power of back left heating element (in boost)	3,700 W	3,700 W
Power of back right heating element	2,600 W	2,600 W
Power of back right heating element (in boost)	3,700 W	3,700 W
Power of front right heating element	1,400 W	1,400 W
Power of front right heating element (in boost)	2,200 W	2,200 W
Burners with booster	All	All
<b>Element Size</b>		
Dimension of front left heating element	6"	6"
Dimension of back left heating element	9"	9"
Dimension of back right heating element	11"	11"
Dimension of front right heating element	6"	6"
<b>Technical Details</b>		
Watts	7,200 W	7,200 W
Circuit breaker	30 A	30 A
Volts	208 – 240 V	208 – 240 V
Frequency	60 Hz	60 Hz
Plug type	No plug	No plug
Power cord length	37"	37"
Energy source	Electric	Electric
<b>Dimensions &amp; Weight</b>		
Overall appliance dimensions (HxWxD)	1/4" + 4 1/8" x 31" x 21 1/4"	1/4" + 4 1/8" x 31" x 21 1/4"
Required cutout size (HxWxD)	4 1/8" x 28 7/8" x 20"	4 1/8" x 28 7/8" x 20"
Minimum distance from counter front	2 1/4"	2 1/4"
Minimum distance from rear wall	2"	2"
Net weight	41 lbs	41 lbs

**Optional Accessories**



HEZ390210  
8" AutoChef® Pan  
for 6" Element



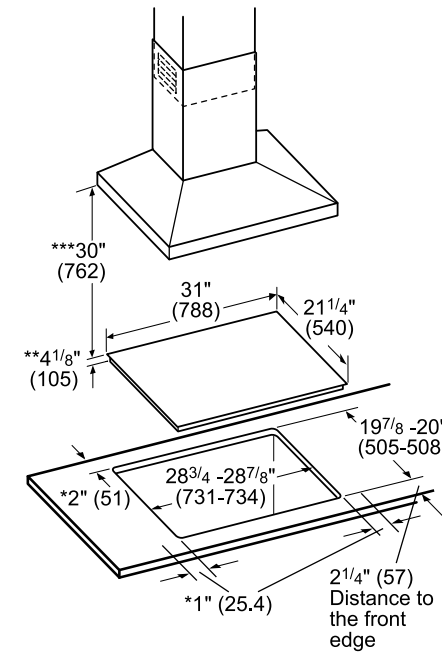
HEZ390220  
9" AutoChef® Pan  
for 7" Element



HEZ390230  
10" AutoChef® Pan  
for 8" and 9" Elements

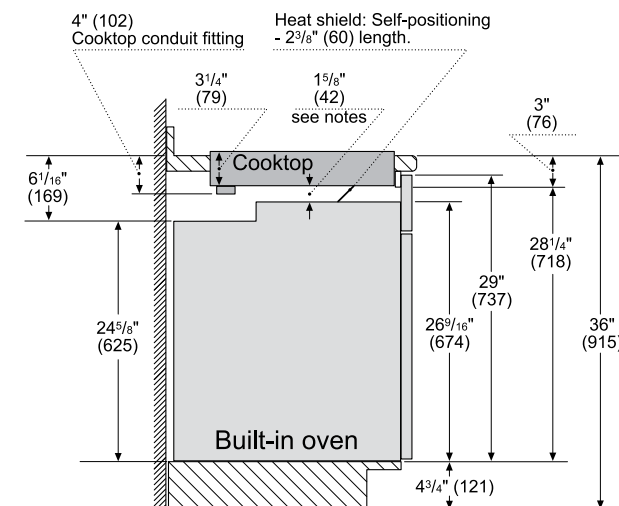
# 500 / 800 Series 30" Induction Cooktops

30" Cooktop and Cutout Dimensions



- \* Minimum distance from the cooktop cutout to the wall
  - \*\* Installed depth includes 1" (26 mm) air clearance
  - \*\*\* Minimum distance between surface of the cooktop and lower edge of the exhaust hood.
- Dimensions in inches (mm)

30" Cooktop Installation Above Wall Oven



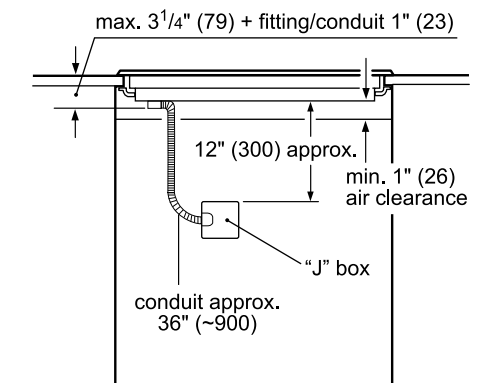
Notes:

Dimensions based on standard countertop height (36" with 4 3/4" toe kick including base plate).

The built-in oven can be installed below the induction cooktop as long as there is a minimum 1" (26) clearance between the bottom of the cooktop and the top of the oven.

measurements in inches (mm)

Electrical Location



Measurements in inches (mm)

**NOTE:** Bosch induction cooktops can be installed in combination with other Bosch cooking products. See pages 82–83 for details.

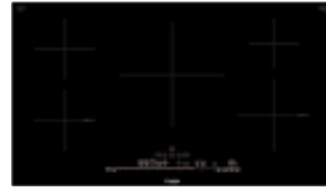


# 500 / 800 Series 36" Induction Cooktops



36" 500 Series  
NIT5668UC

- 12" Dual-Ring Center Cooking Zone
- 17 Power Levels
- Each Cooking Zone Has an Independent Countdown Timer
- SpeedBoost®



36" 800 Series  
NIT8669UC (Frameless)  
NIT8669SUC (Frame)

- + AutoChef®
- + Home Connect™
- + Hood Control
- + PreciseSelect® Control
- + Framed and Frameless Options



+ Indicates a step-up feature

	500 Series	800 Series
	Black – NIT5668UC	Black – NIT8669UC Black with Stainless Steel Frame – NIT8669SUC
<b>General Properties</b>		
Home Connect™ (Wi-Fi Enabled)	No	Yes
Controls	Touch	PreciseSelect® Touch
<b>Element Performance</b>		
Power of front left heating element (in boost)	1,800 W (3,100 W)	1,800 W (3,100 W)
Power of back left heating element (in boost)	1,800 W (3,100 W)	1,800 W (3,100 W)
Power of center heating element (in boost)	3,300 / 2,200 W (5,400 / 3,700 W)	3,300 / 2,200 W (5,400 / 3,700 W)
Power of back right heating element (in boost)	1,400 W (2,200 W)	1,400 W (2,200 W)
Power of front right heating element (in boost)	2,200 W (3,700 W)	2,200 W (3,700 W)
Burners with booster	All	All
<b>Element Size</b>		
Dimension of front left heating element	7"	7"
Dimension of back left heating element	7"	7"
Dimension of center heating element	12", 9"	12", 9"
Dimension of back right heating element	6"	6"
Dimension of front right heating element	9"	9"
<b>Technical Details</b>		
Watts	9,600 W	9,600 W
Circuit breaker	40 A	40 A
Volts	208 – 240 V	208 – 240 V
Frequency	60 Hz	60 Hz
Plug type	No plug	No plug
Power cord length	37"	37"
Energy source	Electric	Electric
<b>Dimensions &amp; Weight</b>		
Overall appliance dimensions (HxWxD)	5/16" + 4 1/8" x 37" x 21 1/4"	5/16" + 4 1/8" x 37" x 21 1/4"
Required cutout size (HxWxD)	4 1/8" x 34 7/8" x 20"	4 1/8" x 34 7/8" x 20"
Minimum distance from counter front	2 1/4"	2 1/4"
Minimum distance from rear wall	2"	2"
Net weight	53 lbs	53 lbs

**Optional Accessories**



HEZ390210  
8" AutoChef® Pan  
for 6" Element



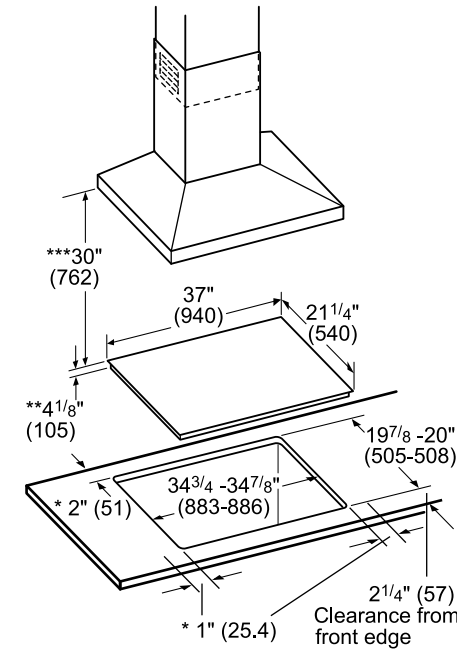
HEZ390220  
9" AutoChef® Pan  
for 7" Element



HEZ390230  
10" AutoChef® Pan  
for 8" and 9" Elements

# 500 / 800 Series 36" Induction Cooktops

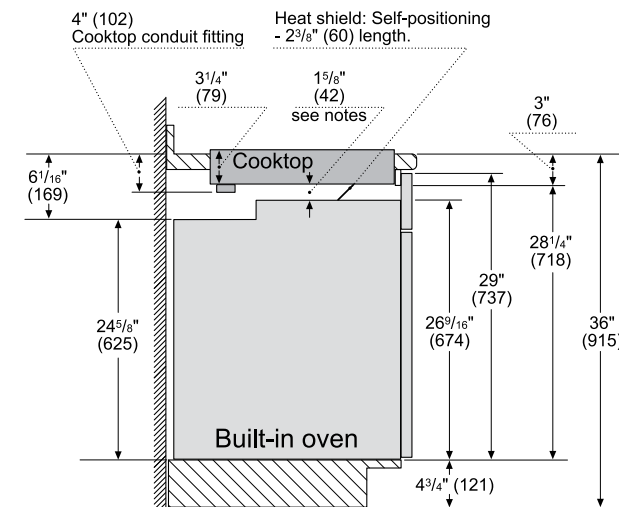
36" Cooktop and Cutout Dimensions



- \* Minimum clearance from the cooktop cutout to the wall
- \*\* Installed depth includes gap of 1" (26 mm) to the ventilation
- \*\*\* Minimum clearance between surface of the cooktop and lower edge of the exhaust hood.

measurements in inches (mm)

36" Cooktop Installation Above Wall Oven

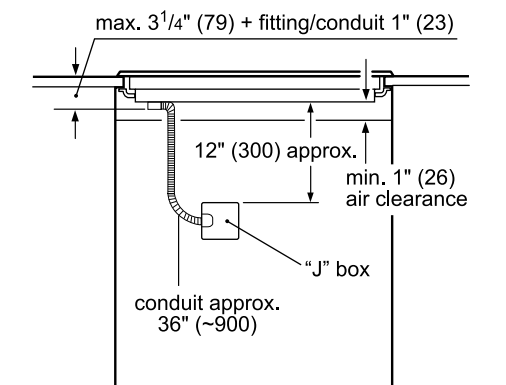


Notes:

Dimensions based on standard countertop height (36" with 4 3/4" toe kick including base plate).

The built-in oven can be installed below the induction cooktop as long as there is a minimum 1" (26) clearance between the bottom of the cooktop and the top of the oven.

Electrical Location

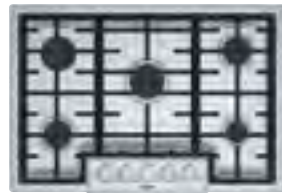


Measurements in inches (mm)

**NOTE:** Bosch induction cooktops can be installed in combination with other Bosch cooking products. See pages 82–83 for details.



# Benchmark® Series Gas Cooktops



30" Benchmark® Series  
NGMP056UC

- 20K Max. BTU Performance
- 5 Burners
- Dual-Stacked Hi / Lo Burner
- Distinctive Red LED Light Burner Indicators



36" Benchmark® Series  
NGMP656UC

- 20K Max. BTU Performance
- 5 Burners
- Dual-Stacked Hi / Lo Burner
- Distinctive Red LED Light Burner Indicators

	30"	36"
	Stainless Steel – NGMP056UC	Stainless Steel – NGMP656UC
<b>General Properties</b>		
Knob material	Metal	Metal
Sealed burners	Yes	Yes
Grate material	Cast iron	Cast iron
<b>Element Performance</b>		
Total BTU load (NG / LP)	51,000 / 43,200	59,500 / 47,300
Power of front left burner (NG / LP)	10,000 / 9,100	12,000 / 9,100
Power of back left burner (NG / LP)	5,500 / 5,000	10,000 / 9,100
Power of center burner (NG / LP)	20,000 / 15,000	20,000 / 15,000
Power of back right burner (NG / LP)	10,000 / 9,100	5,500 / 5,000
Power of front right burner (NG / LP)	5,500 / 5,000	12,000 / 9,100
<b>Technical Details</b>		
Watts	360 W	360 W
Circuit breaker	15 A	15 A
Volts	120 V	120 V
Frequency	60 Hz	60 Hz
Plug type	3 prong	3 prong
Power cord length	60"	60"
Energy source	Gas	Gas
Convertible to LP (kit required)	Yes	Yes
<b>Dimensions &amp; Weight</b>		
Overall appliance dimensions (HxWxD)	3 13/16" x 31" x 21 1/4"	3 13/16" x 37" x 21 1/4"
Required cutout size (HxWxD)	3 13/16" x 28 15/16" x 19 1/8"	3 13/16" x 34 15/16" x 19 1/8"
Minimum distance from counter front	1 7/8"	1 7/8"
Minimum distance from rear wall	3"	3"
Net weight	38 lbs	39 lbs
<b>Accessories – Included</b>		
Included	LP conversion kit	LP conversion kit

**Optional Accessories**



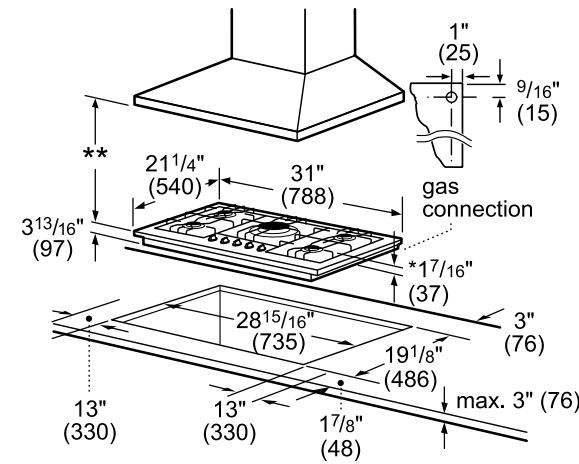
HEZ298102  
Wok Ring  
(for 36" models only)



HEZ27751  
Cooktop Control Knob Kit,  
Black Stainless Steel

# Benchmark® Series Gas Cooktops

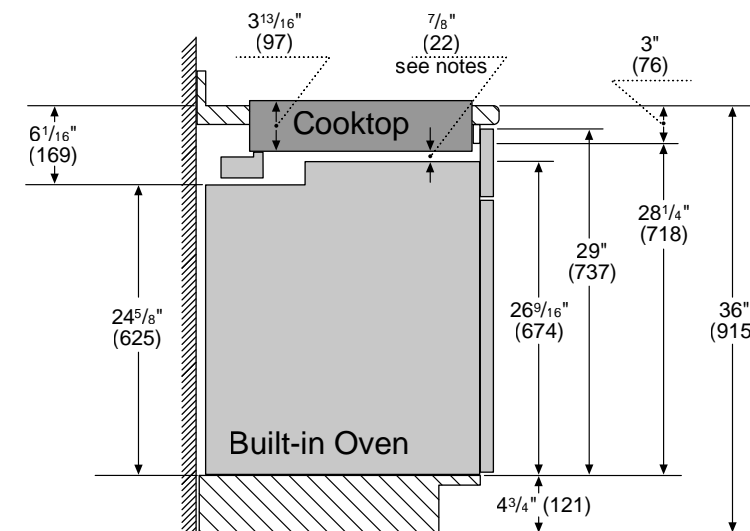
30" Cooktop and Cutout Dimensions



- \* Dimension from countertop to top of grates in front of 1 7/16" (37).
- \*\* When installed in combination with a hood, refer to hood manufacturers requirements for installation.

Measurement in inches (mm)

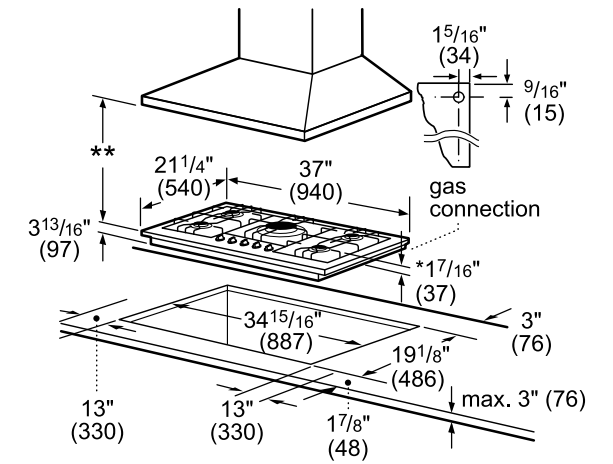
30" & 36" Cooktop Installation Above Wall Oven



- Notes:
- Dimensions based on standard countertop height (36" with 4 3/4" toe kick including base plate).
  - The built-in oven can be installed below the gas cooktop as long as there is no contact between the bottom of the cooktop and the top of the oven.

Measurements in inches (mm)

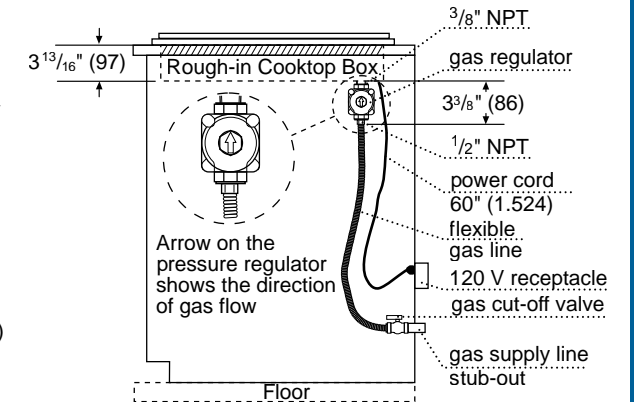
36" Cooktop and Cutout Dimensions



- \* Dimension from countertop to top of grates in front of 1 7/16" (37).
- \*\* When installed in combination with a hood, refer to hood manufacturers requirements for installation.

Measurement in inches (mm)

Gas Location



Measurements in inches (mm)

NOTE: Bosch gas cooktops can be installed in combination with other Bosch cooking products. See pages 82–83 for details.





# Benchmark® Series Gas Cooktops



30" Benchmark® Series  
NGMP077UC

- 14.3K Max. BTU Performance
- 5 Burners
- + FlameSelect®
- + Dual Flame Power Burner
- + Gray Tempered Glass Cooking Surface



36" Benchmark® Series  
NGMP677UC

- 14.3K Max. BTU Performance
- 5 Burners
- + FlameSelect®
- + Dual Flame Power Burner
- + Gray Tempered Glass Cooking Surface



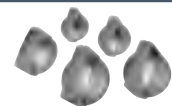
+ Indicates a step-up feature

	30"	36"
	Gray Tempered Glass – NGMP077UC	Gray Tempered Glass – NGMP677UC
<b>General Properties</b>		
Knob material	Stainless steel appearance	Stainless steel appearance
Sealed burners	Yes	Yes
Grate material	Cast iron	Cast iron
<b>Element Performance</b>		
Total BTU load (NG / LP)	40,000 / 40,000	40,000 / 40,000
Power of front left burner (NG / LP) OptiSim®	3,400 / 3,400	3,400 / 3,400
Power of back left burner (NG / LP)	6,000 / 6,000	6,000 / 6,000
Power of center burner (NG / LP) Dual-flame	14,300 / 14,300	14,300 / 14,300
Power of back right burner (NG / LP)	10,300 / 10,300	10,300 / 10,300
Power of front right burner (NG / LP)	6,000 / 6,000	6,000 / 6,000
<b>Technical Details</b>		
Watts	360 W	360 W
Circuit breaker	15 A	15 A
Volts	120 V	120 V
Frequency	60 Hz	60 Hz
Plug type	3 prong	3 prong
Power cord length	40"	40"
Energy source	Natural gas (factory set)	Natural gas (factory set)
Convertible to LP (kit required)	Yes	Yes
<b>Dimensions &amp; Weight</b>		
Overall appliance dimensions (HxWxD)	2 9/16" x 29 1/2" x 20 1/2"	2 9/16" x 36" x 20 1/2"
Required cutout size (HxWxD)	1 1/4" x 28 15/16" x 19 1/8"	1 1/4" x 33 1/2" x 19 5/16"
Minimum distance from counter front	1 7/8"	1 7/8"
Minimum distance from rear wall	3"	3"
Net weight	47 lbs	53 lbs
<b>Accessories – Included</b>		
Included	LP conversion kit, OptiSim® cap	LP conversion kit, OptiSim® cap

**Optional Accessories**



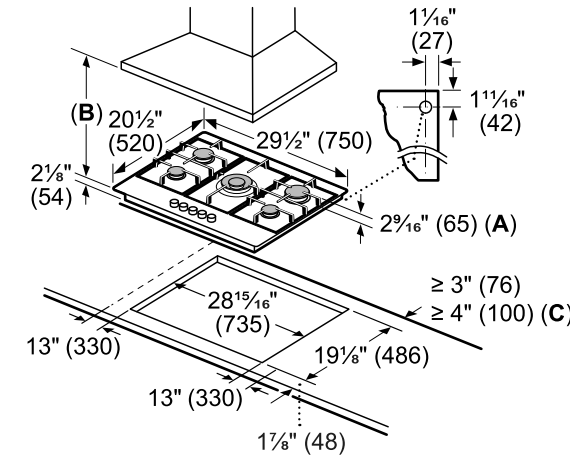
HEZ298107  
Wok Ring



HEZ27755  
FlameSelect® Benchmark® Series  
Metal Control Knob Kit, Stainless Steel

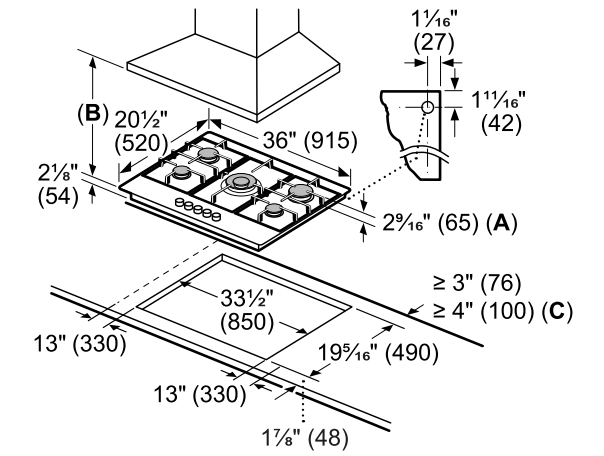
# Benchmark® Series Gas Cooktops

30" Cooktop and Cutout Dimensions



- A:** Dimension from countertop to top of grates in front of 2 9/16" (65)
- B:** When installed in combination with a hood, refer to hood manufacturer's requirements for installation
- C:** For installation in a kitchen island measurements in inches (mm)

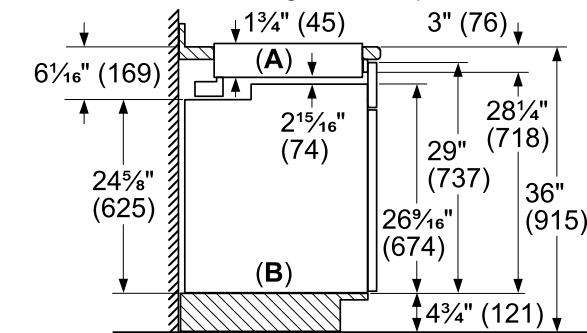
36" Cooktop and Cutout Dimensions



- A:** Dimension from countertop to top of grates in front of 2 9/16" (65)
- B:** When installed in combination with a hood, refer to hood manufacturer's requirements for installation
- C:** For installation in a kitchen island measurements in inches (mm)

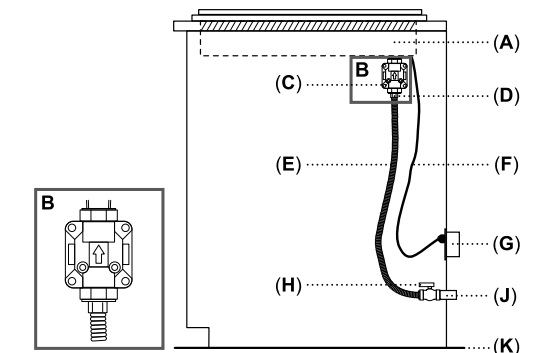
30" & 36" Cooktop Installation Above Wall Oven

measurements in inches (mm)  
Built-in oven - under gas cooktop



- Dimensions based on standard countertop height (36" with 4 3/4" toe kick including base plate).
- A:** Cooktop
- B:** Built-in oven

Gas Location



- A:** Rough-in Cooktop Box
- B:** Arrow on the back of the Pressure Regulator shows the direction of gas flow
- C:** Pressure Regulator
- D:** 1/2" Female Pipe Threads
- E:** Flexible Gas Line
- F:** Power Cord (40 inches / 1.016 mm)
- G:** 120 Volt Receptacle
- H:** Gas Cut-off Valve
- J:** Gas Supply Line Stub-out
- K:** Floor

NOTE: Bosch gas cooktops can be installed in combination with other Bosch cooking products. See pages 82–83 for details.



# 500 Series 24" Gas Cooktop



24" 500 Series  
NGM5456UC

- 11.5K Max. BTU Performance
- 4 Burners
- Metal Knobs

**500 Series**

Stainless Steel – NGM5456UC

**General Properties**

Knob material	Metal
Sealed burners	Yes
Grate material	Cast iron

**Element Performance**

Total BTU load (NG / LP)	30,800 / 27,000
Power of front left burner (NG / LP)	5,000 / 5,000
Power of back left burner (NG / LP)	9,300 / 7,000
Power of center burner (NG / LP)	N/A
Power of back right burner (NG / LP)	11,500 / 10,000
Power of front right burner (NG / LP)	5,000 / 5,000

**Technical Details**

Watts	360 W
Circuit breaker	15 A
Volts	120 V
Frequency	60 Hz
Plug type	3 prong
Power cord length	60"
Energy source	Gas
Convertible to LP (kit required)	Yes

**Dimensions & Weight**

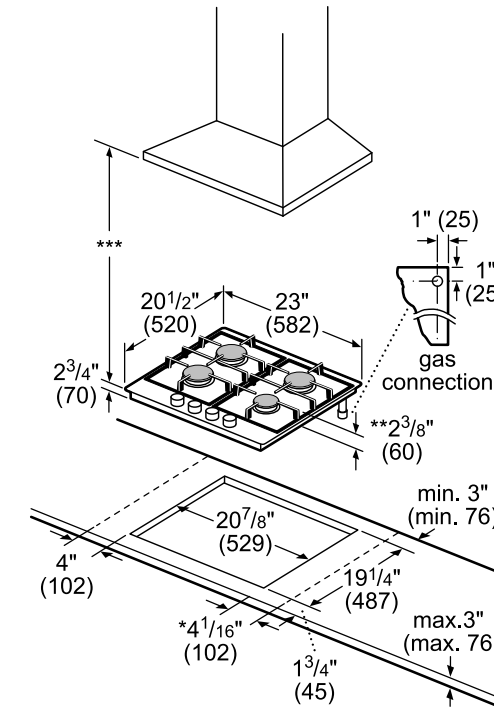
Overall appliance dimensions (HxWxD)	2 3/4" x 23" x 20 1/2"
Required cutout size (HxWxD)	2 3/4" x 20 7/8" x 19 1/4"
Minimum distance from counter front	1 3/4"
Minimum distance from rear wall	3"
Net weight	32 lbs

**Accessories – Included**

Included	LP conversion kit
----------	-------------------

# 500 Series 24" Gas Cooktop

24" Cooktop and Cutout Dimensions

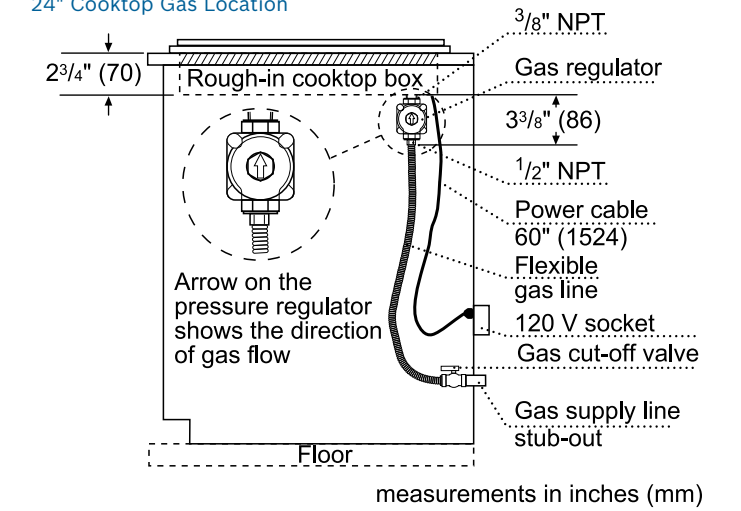


\* 5 1/16" required when installed with a built-in oven. Reference the Bosch under cooktop built-in guide for more details.

\*\* Dimension from countertop to top of grates.  
\*\*\* When installed in combination with a hood, refer to hood manufacturer's requirements for installation.

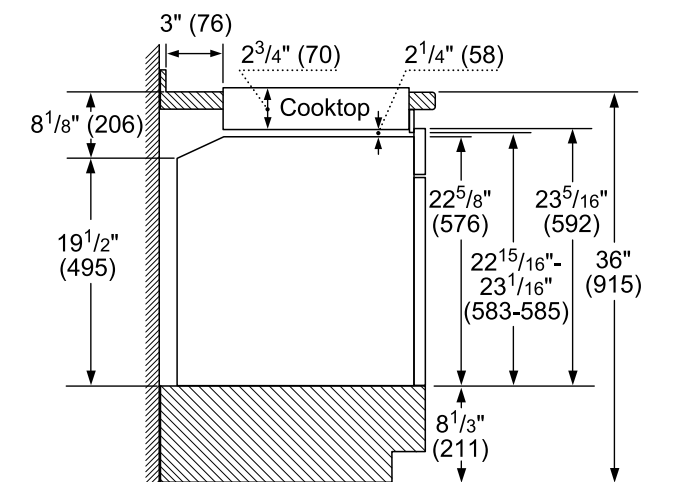
Measurements in inches (mm)

24" Cooktop Gas Location



measurements in inches (mm)

24" Cooktop Installation Above Wall Oven



Notes: Dimensions based on standard countertop height (36" with 4 3/4" toe kick including base plate).

The built-in oven can be installed below the cooktop as long as there is at least 2 1/4" (58) of space between the bottom flat surface of the cooktop and the top of the oven.

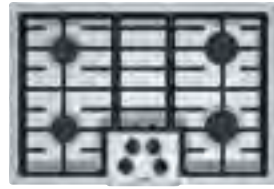
Please allow at least 2" (51) from the countertop front edge to the edge of the cutout.

measurements in inches (mm)

NOTE: Bosch gas cooktops can be installed in combination with other Bosch cooking products. See pages 82-83 for details.

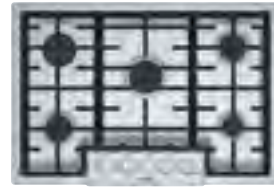


# 500 / 800 Series 30" Gas Cooktops



30" 500 Series  
NGM5056UC

- 16K Max. BTU Performance
- Black Metal Knobs
- OptiSim® burner



30" 800 Series  
NGM8056UC (Stainless Steel)  
NGM8046UC (Black w/Black  
Stainless Knobs)

- + 19K Max. BTU Performance
- + 5 Burners
- + Distinctive Red LED Light Burner Indicators
- + Stainless Steel Knobs (Black Stainless Metal Knobs on Black Model)

+ Indicates a step-up feature

500 Series	800 Series
Stainless Steel – NGM5056UC	Stainless Steel – NGM8056UC Black w/Black Stainless Knobs – NGM8046UC

General Properties		
Knob material	Metal	Metal
Sealed burners	Yes	Yes
Grate material	Cast iron	Cast iron
Element Performance		
Total BTU load (NG / LP)	41,500 / 38,200	NGM8056UC: 50,000 / 43,200 NGM8046UC: 48,600 / 43,200
Power of front left burner (NG / LP)	10,000 / 9,100	NGM8056UC: 10,000 / 9,100 NGM8046UC: 9,300 / 9,100
Power of back left burner (NG / LP)	10,000 / 9,100	5,500 / 5,000
Power of center burner (NG / LP)	N/A	18,000 / 15,000
Power of back right burner (NG / LP)	5,500 / 5,000	NGM8056UC: 10,000 / 9,100 NGM8046UC: 9,300 / 9,100
Power of front right burner (NG / LP)	16,000 / 15,000	5,500 / 5,000
Technical Details		
Watts	360 W	360 W
Circuit breaker	15 A	15 A
Volts	120 V	120 V
Frequency	60 Hz	60 Hz
Plug type	3 prong	3 prong
Power cord length	60"	60"
Energy source	Gas	Gas
Convertible to LP (kit required)	Yes	Yes
Dimensions & Weight		
Overall appliance dimensions (HxWxD)	3 13/16" x 31" x 21 1/4"	3 13/16" x 31" x 21 1/4"
Required cutout size (HxWxD)	3 13/16" x 28 15/16" x 19 1/8"	3 13/16" x 28 15/16" x 19 1/8"
Minimum distance from counter front	1 7/8"	1 7/8"
Minimum distance from rear wall	3"	3"
Net weight	37 lbs	37 lbs
Accessories – Included		
Included	LP conversion kit	LP conversion kit

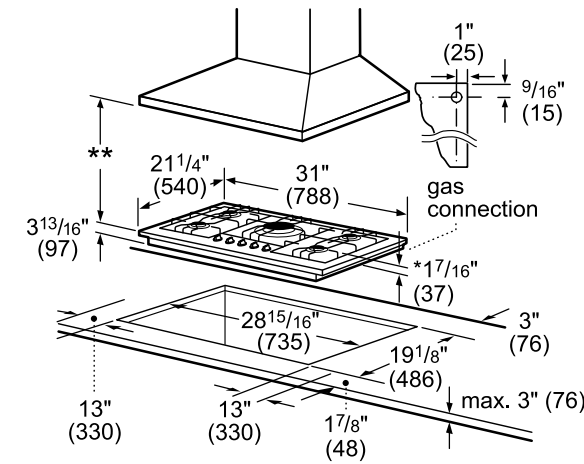
### Optional Accessories



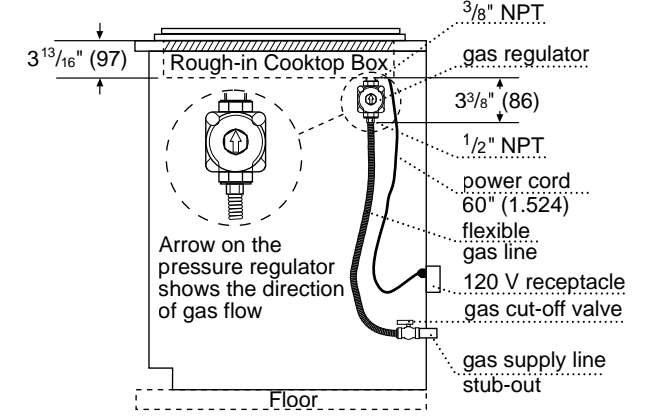
HEZ27751  
Cooktop Control Knob Kit,  
Black Stainless Steel

# 500 / 800 Series 30" Gas Cooktops

### 30" Cooktop and Cutout Dimensions



### 30" Cooktop Gas Location

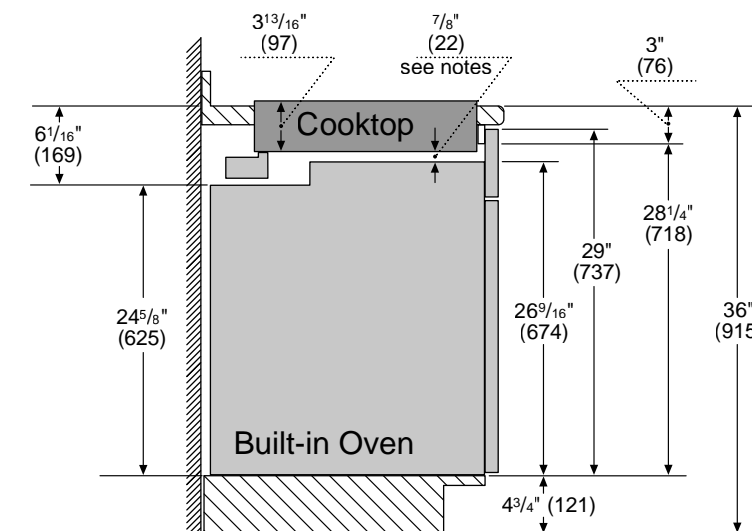


Measurements in inches (mm)

- \* Dimension from countertop to top of grates in front of 17/16" (37).
- \*\* When installed in combination with a hood, refer to hood manufacturers requirements for installation.

Measurement in inches (mm)

### 30" Cooktop Installation Above Wall Oven



### Notes:

Dimensions based on standard countertop height (36" with 4 3/4" toe kick including base plate).

The built-in oven can be installed below the gas cooktop as long as there is no contact between the bottom of the cooktop and the top of the oven.

Measurements in inches (mm)

NOTE: Bosch gas cooktops can be installed in combination with other Bosch cooking products. See pages 82–83 for details.



# 500 / 800 Series 36" Gas Cooktops



36" 500 Series  
NGM5656UC

- 16K Max. BTU Performance
- Black Metal Knobs
- OptiSim® burner



36" 800 Series  
NGM8656UC (Stainless Steel)  
NGM8646UC (Black w/Black  
Stainless Knobs)

- + 19K Max. BTU Performance
- + Distinctive Red LED Light Burner Indicators
- + Metal Knobs (Black Stainless Metal Knobs on Black Model)

+ Indicates a step-up feature

	500 Series	800 Series
	Stainless Steel – NGM5656UC	Stainless Steel – NGM8656UC Black w/Black Stainless Knobs – NGM8646UC
<b>General Properties</b>		
Knob material	Metal	Metal
Sealed burners	Yes	Yes
Grate material	Cast iron	Cast iron
<b>Element Performance</b>		
Total BTU load (NG / LP)	51,500 / 47,300	NGM8656UC: 58,500 / 47,300 NGM8646UC: 52,400 / 47,300
Power of front left burner (NG / LP)	10,000 / 9,100	NGM8656UC: 12,000 / 9,100 NGM8646UC: 9,300 / 9,100
Power of back left burner (NG / LP)	10,000 / 9,100	NGM8656UC: 10,000 / 9,100 NGM8646UC: 9,300 / 9,100
Power of center burner (NG / LP)	16,000 / 15,000	19,000 / 15,000
Power of back right burner (NG / LP)	5,500 / 5,000	5,500 / 5,000
Power of front right burner (NG / LP)	10,000 / 9,100	NGM8656UC: 12,000 / 9,100 NGM8646UC: 9,300 / 9,100
<b>Technical Details</b>		
Watts	360 W	360 W
Circuit breaker	15 A	15 A
Volts	120 V	120 V
Frequency	60 Hz	60 Hz
Plug type	3 prong	3 prong
Power cord length	60"	60"
Energy source	Gas	Gas
Convertible to LP (kit required)	Yes	Yes
<b>Dimensions &amp; Weight</b>		
Overall appliance dimensions (HxWxD)	3 13/16" x 37" x 21 1/4"	3 13/16" x 37" x 21 1/4"
Required cutout size (HxWxD)	3 13/16" x 34 15/16" x 19 1/8"	3 13/16" x 34 15/16" x 19 1/8"
Minimum distance from counter front	1 7/8"	1 7/8"
Minimum distance from rear wall	3"	3"
Net weight	39 lbs	39 lbs
<b>Accessories – Included</b>		
Included	LP conversion kit	LP conversion kit

**Optional Accessories**



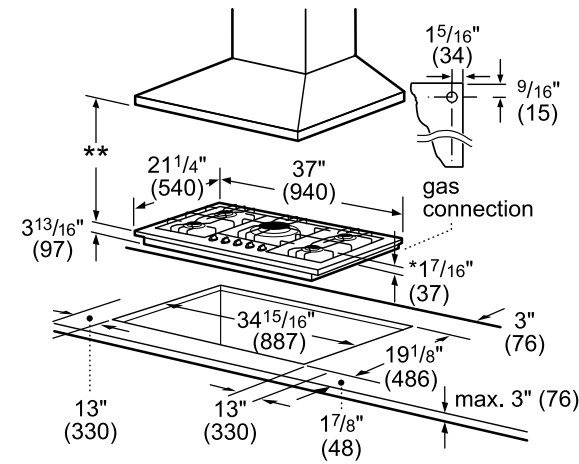
HEZ298102  
Wok Ring



HEZ27751  
Cooktop Control Knob Kit,  
Black Stainless Steel

# 500 / 800 Series 36" Gas Cooktops

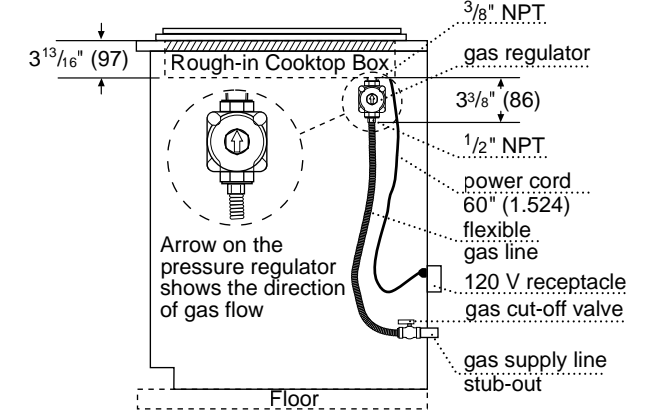
**36" Cooktop and Cutout Dimensions**



- \* Dimension from countertop to top of grates in front of 1 7/8" (37).
- \*\* When installed in combination with a hood, refer to hood manufacturers requirements for installation.

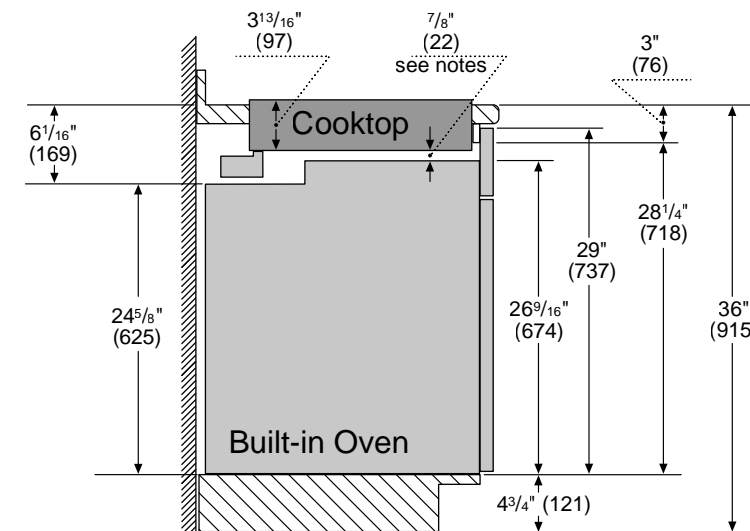
Measurement in inches (mm)

**36" Gas Location**



Measurements in inches (mm)

**36" Cooktop Installation Above Wall Oven**



Notes:  
Dimensions based on standard countertop height (36" with 4 3/4" toe kick including base plate).

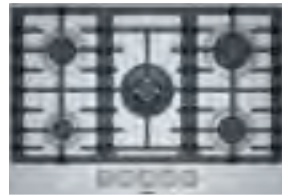
The built-in oven can be installed below the gas cooktop as long as there is no contact between the bottom of the cooktop and the top of the oven.

Measurements in inches (mm)

**NOTE:** Bosch gas cooktops can be installed in combination with other Bosch cooking products. See pages 82–83 for details.



# 800 Series Gas Cooktops



30" 800 Series  
NGM8057UC

- 17K Max. BTU Performance
- 5 Burners
- + FlameSelect®
- + Dual Flame Power Burner
- + Low profile stainless steel cooking surface



36" 800 Series  
NGM8657UC

- 17K Max. BTU Performance
- 5 Burners
- + FlameSelect®
- + Dual Flame Power Burner
- + Low profile stainless steel cooking surface



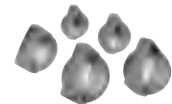
+ Indicates a step-up feature

	30"	36"
	Stainless Steel – NGM8057UC	Stainless Steel – NGM8657UC
<b>General Properties</b>		
Knob material	Stainless steel appearance	Stainless steel appearance
Sealed burners	Yes	Yes
Grate material	Cast iron	Cast iron
<b>Element Performance</b>		
Total BTU load (NG / LP)	41,400 / 40,100	41,400 / 40,100
Power of front left burner (NG / LP) OptiSim®	3,400 / 3,400	3,400 / 3,400
Power of back left burner (NG / LP)	6,000 / 6,000	6,000 / 6,000
Power of center burner (NG / LP) Dual-flame	17,000 / 15,700	17,000 / 15,700
Power of back right burner (NG / LP)	9,000 / 9,000	9,000 / 9,000
Power of front right burner (NG / LP)	6,000 / 6,000	6,000 / 6,000
<b>Technical Details</b>		
Watts	360 W	360 W
Circuit breaker	15 A	15 A
Volts	120 V	120 V
Frequency	60 Hz	60 Hz
Plug type	3 prong	3 prong
Power cord length	40"	40"
Energy source	Natural gas (factory set)	Natural gas (factory set)
Convertible to LP (kit required)	Yes	Yes
<b>Dimensions &amp; Weight</b>		
Overall appliance dimensions (HxWxD)	2 23/64" x 29 1/2" x 20 1/2"	2 23/64" x 36" x 20 1/2"
Required cutout size (HxWxD)	1 1/4" x 28 15/16" x 19 1/8"	1 1/4" x 33 1/2" x 19 5/16"
Minimum distance from counter front	1 7/8"	1 7/8"
Minimum distance from rear wall	3"	3"
Net weight	38 lbs	42 lbs
<b>Accessories – Included</b>		
Included	LP conversion kit, OptiSim® cap	LP conversion kit, OptiSim® cap

Optional Accessories



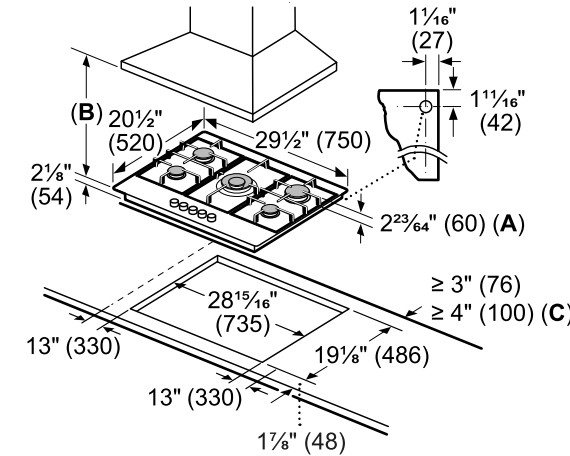
HEZ298107  
Wok Ring



HEZ27754  
FlameSelect® 800 Series  
Metal Control Knob Kit,  
Stainless Steel

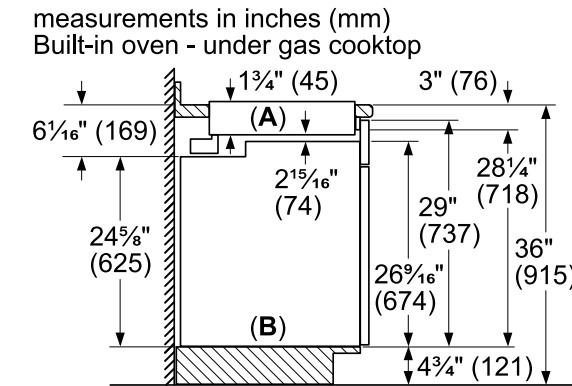
# 800 Series Gas Cooktops

## 30" Cooktop and Cutout Dimensions



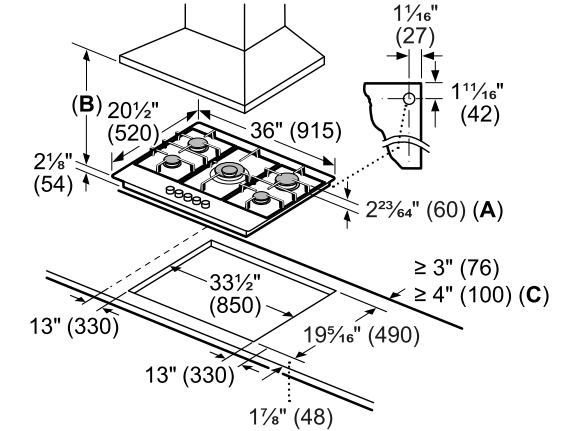
- A:** Dimension from countertop to top of grates in front of 2 23/64" (60)
  - B:** When installed in combination with a hood, refer to hood manufacturer's requirements for installation
  - C:** For installation in a kitchen island
- measurements in inches (mm)

## 30" & 36" Cooktop Installation Above Wall Oven



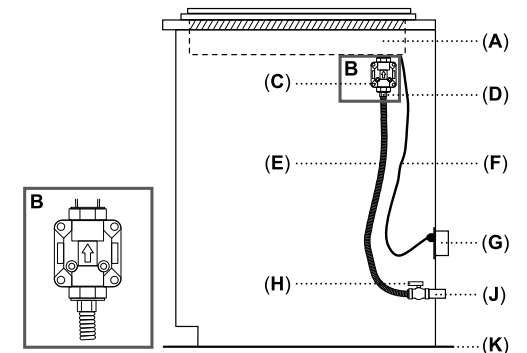
- Dimensions based on standard countertop height (36" with 4 3/4" toe kick including base plate).
- A:** Cooktop
  - B:** Built-in oven

## 36" Cooktop and Cutout Dimensions



- A:** Dimension from countertop to top of grates in front of 2 23/64" (60)
  - B:** When installed in combination with a hood, refer to hood manufacturer's requirements for installation
  - C:** For installation in a kitchen island
- measurements in inches (mm)

## Gas Location



- measurements in inches (mm)
- A:** Rough-in Cooktop Box
  - B:** Arrow on the back of the Pressure Regulator shows the direction of gas flow
  - C:** Pressure Regulator
  - D:** 1/2" Female Pipe Threads
  - E:** Flexible Gas Line
  - F:** Power Cord (40 inches / 1,016 mm)
  - G:** 120 Volt Receptacle
  - H:** Gas Cut-off Valve
  - J:** Gas Supply Line Stub-out
  - K:** Floor

NOTE: Bosch gas cooktops can be installed in combination with other Bosch cooking products. See pages 82–83 for details.



# Benchmark® Series Electric Cooktops



30" Benchmark® Series  
NETP068SUC

- Five Elements
- 9", 3,600 W Dual-Ring Element
- 7", 2,000 W Dual-Ring Element
- AutoChef®
- SpeedBoost®



36" Benchmark® Series  
NETP668SUC

- Five Elements
- 11", 3,080 W Triple-Ring Element
- 8", 1,900 W Dual-Ring Element
- AutoChef®
- Bridge Element

	30"	36"
	Black with Stainless Steel Frame – NETP068SUC	
	Black with Stainless Steel Frame – NETP668SUC	
<b>Element Performance</b>		
Power of front left heating element	2,000 / 800 W	1,800 W
Power of back left heating element	1,200 W	1,800 W
Power of center heating element	3,600 / 1,400 W	3,080 / 2,200 / 1,050 W
Power of back right heating element	1,200 W	1,200 W
Power of front right heating element	1,500 W	1,900 / 800 W
<b>Element Size</b>		
Dimension of front left heating element	7", 5"	7"
Dimension of back left heating element	6"	7"
Dimension of center heating element	9", 6"	11", 8", 6"
Dimension of back right heating element	6"	6"
Dimension of front right heating element	7"	8", 5"
<b>Technical Details</b>		
Watts	9,000 W	9,700 W
Circuit breaker	40 A	40 A
Volts	208 – 240 V	208 – 240 V
Frequency	60 Hz	60 Hz
Plug type	No plug	No plug
Energy source	Electric	Electric
<b>Dimensions &amp; Weight</b>		
Overall appliance dimensions (HxWxD)	1/4" +4" x 31" x 21 1/4"	1/4" +4" x 37" x 21 1/4"
Required cutout size (HxWxD)	4" x 28 7/8" x 20"	4" x 34 7/8" x 20"
Minimum distance from counter front	2 1/4"	2 1/4"
Minimum distance from rear wall	2"	2"
Net weight	27 lbs	33 lbs

**Optional Accessories**



HEZ390210  
8" AutoChef® Pan  
for 6" Element



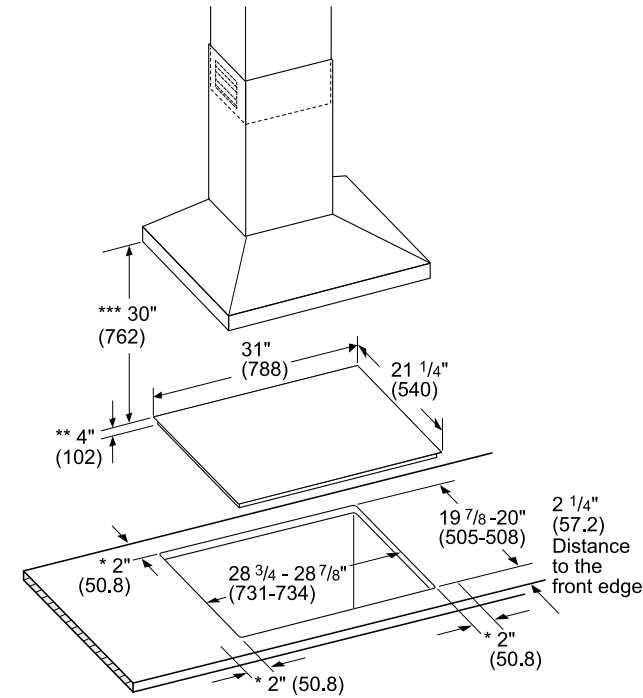
HEZ390220  
9" AutoChef® Pan  
for 7" Element



HEZ390230  
10" AutoChef® Pan  
for 8" and 9" Elements

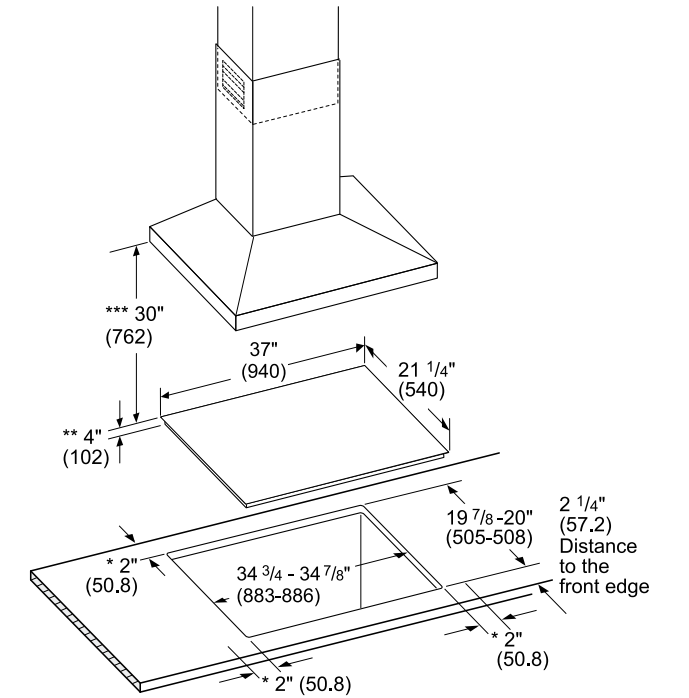
# Benchmark® Series Electric Cooktops

30" Cooktop and Cutout Dimensions



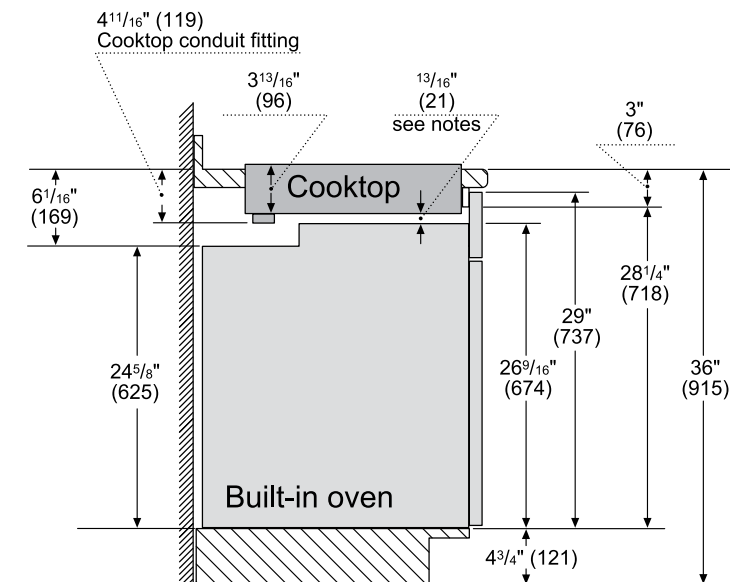
\* Minimum distance from the cooktop cutout to the wall  
 \*\* Maximum cutout depth  
 \*\*\* Minimum distance between the cooktop surface and lower edge of the exhaust hood.  
 Dimensions in inches (mm)

36" Cooktop and Cutout Dimensions



\* Minimum distance from the cooktop cutout to the wall  
 \*\* Maximum cutout depth  
 \*\*\* Minimum distance between the cooktop surface and lower edge of the exhaust hood.  
 Dimensions in inches (mm)

**Cooktop Installation Above Wall Oven**



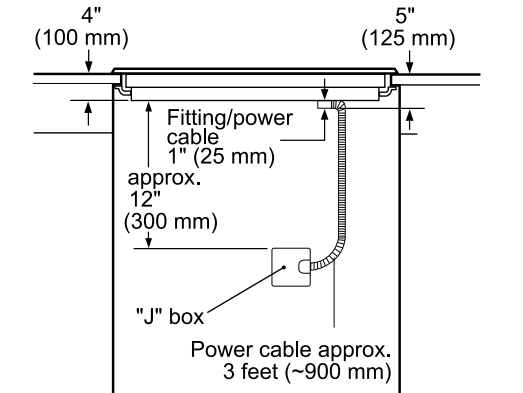
**Notes:**

Dimensions based on standard countertop height (36" with 4 3/4" toe kick including base plate).

The built-in oven can be installed below the electric cooktop as long as there is no contact between the bottom of the cooktop and the top of the oven.

measurements in inches (mm)

**Electrical Location**



measurement in inches (mm)

**NOTE:** Bosch electric cooktops can be installed in combination with other Bosch cooking products. See pages 82–83 for details.



# 500 Series 24" Electric Cooktop



24" 500 Series  
NEM5466UC

- 8", 2,200 W Element
- 6", 1,850 W Element
- Residual Heat Indicator
- Stainless Steel Color Knobs

500 Series	
Black Frameless – NEM5466UC	
<b>General Properties</b>	
Knob material	Plastic
<b>Element Performance</b>	
Power of front left heating element	1,850 W
Power of back left heating element	2,200 W
Power of back right heating element	1,200 W
Power of front right heating element	1,800 W
<b>Element Size</b>	
Dimension of front left heating element	6"
Dimension of back left heating element	8"
Dimension of back right heating element	6"
Dimension of front right heating element	7"
<b>Technical Details</b>	
Watts	7,100 W
Circuit breaker	30 A
Volts	208–240 V
Frequency	60 Hz
Plug type	No plug
Energy source	Electric
<b>Dimensions &amp; Weight</b>	
Overall appliance dimensions (HxWxD)	1/8" + 4 1/3" x 23" x 20 1/5"
Required cutout size (HxWxD)	4 1/3" x 22" x 19 1/4"
Minimum distance from counter front	2 1/4"
Minimum distance from rear wall	2"
Net weight	20 lbs

**Optional Accessories**



HEZ390210  
8" AutoChef® Pan  
for 6" Element



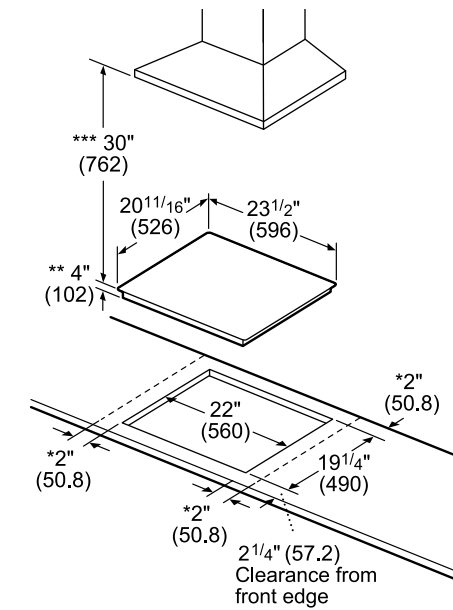
HEZ390220  
9" AutoChef® Pan  
for 7" Element



HEZ390230  
10" AutoChef® Pan  
for 8" and 9" Elements

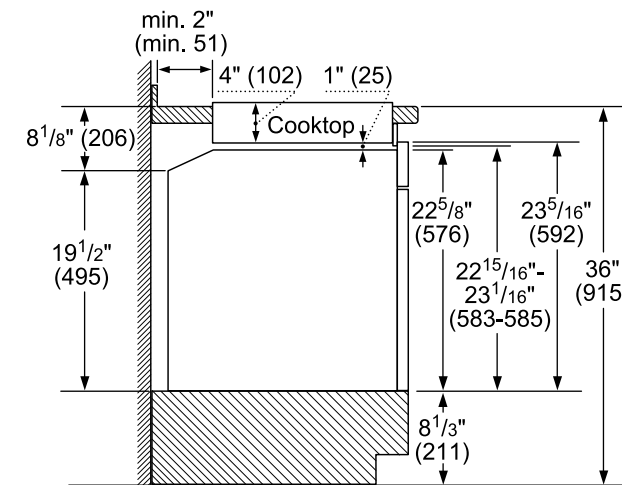
# 500 Series 24" Electric Cooktop

**Cooktop and Cutout Dimensions**



- \* Minimum clearance from the cooktop cutout to the wall
  - \*\* Maximum cutout depth
  - \*\*\* Minimum clearance between the cooktop surface and lower edge of the exhaust hood.
- measurements in inches (mm)

**Cooktop Installation Above Wall Oven**



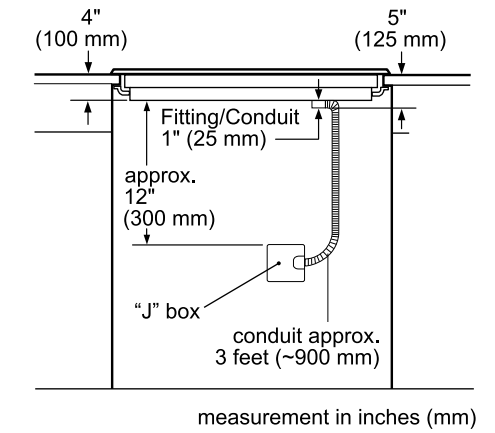
Notes: Dimensions based on standard countertop height (36" with 4 3/4" toe kick including base plate).

The built-in oven can be installed below the cooktop as long as there is at least 1" (25) of space between the bottom flat surface of the cooktop and the top of the oven.

Please allow at least 2" (51) from the countertop front edge to the edge of the cutout.

measurements in inches (mm)

**Gas Location**



NOTE: Bosch electric cooktops can be installed in combination with other Bosch cooking products. See pages 82–83 for details.



# 500 / 800 Series 30" Electric Cooktops



30" 500 Series  
NEM5066UC

- 7" Dual-Ring Element
- 9", 2,500 W Element
- Residual Heat Indicator
- Stainless Steel Color Knobs



30" 800 Series  
NET8068UC (Frameless)  
NET8068SUC (Frame)

- + PreciseSelect® Control
- + 9", 3,600 W Dual-Ring Element
- + Countdown Element Shut Off Timer
- + Framed and Frameless Options

+ Indicates a step-up feature

	500 Series	800 Series
	Black Frameless – NEM5066UC	Black Frameless – NET8068UC Black with Stainless Steel Frame – NET8068SUC
<b>General Properties</b>		
Knob material	Stainless steel color – plastic	N/A
<b>Element Performance</b>		
Power of front left heating element	1,700 / 700 W	1,800 W
Power of back left heating element	1,800 W	1,800 W
Power of back right heating element	1,200 W	3,600 / 1,400 W
Power of front right heating element	2,500 W	1,200 W
<b>Element Size</b>		
Dimension of front left heating element	7", 5"	7"
Dimension of back left heating element	7"	7"
Dimension of back right heating element	6"	9", 6"
Dimension of front right heating element	9"	6"
<b>Technical Details</b>		
Watts	7,200 W	8,300 W
Circuit breaker	30 A	40 A
Volts	208–240 V	208–240 V
Frequency	60 Hz	60 Hz
Plug type	No plug	No plug
Energy source	Electric	Electric
<b>Dimensions &amp; Weight</b>		
Overall appliance dimensions (HxWxD)	1/4" +4" x 31" x 21 1/4"	1/4" +4" x 31" x 21 1/4"
Required cutout size (HxWxD)	4" x 28 7/8" x 20"	4" x 28 7/8" x 20"
Minimum distance from counter front	2 1/4"	2 1/4"
Minimum distance from rear wall	2"	2"
Net weight	25 lbs	27 lbs

Optional Accessories



HEZ390210  
8" AutoChef® Pan  
for 6" Element



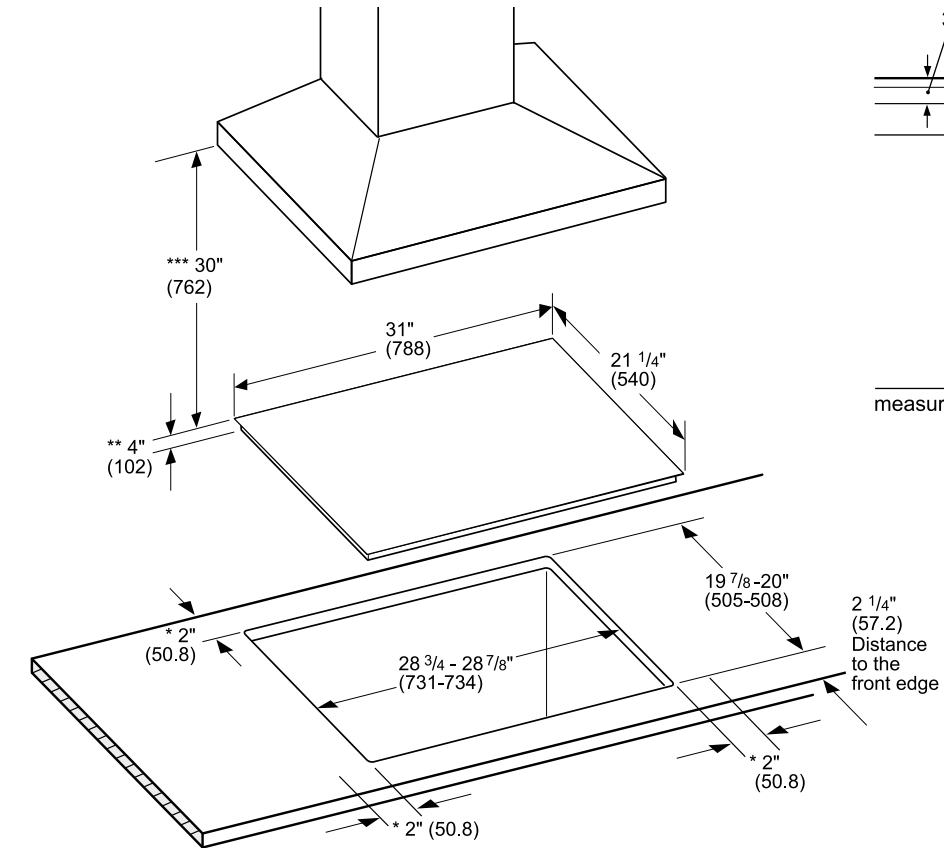
HEZ390220  
9" AutoChef® Pan  
for 7" Element



HEZ390230  
10" AutoChef® Pan  
for 8" and 9" Elements

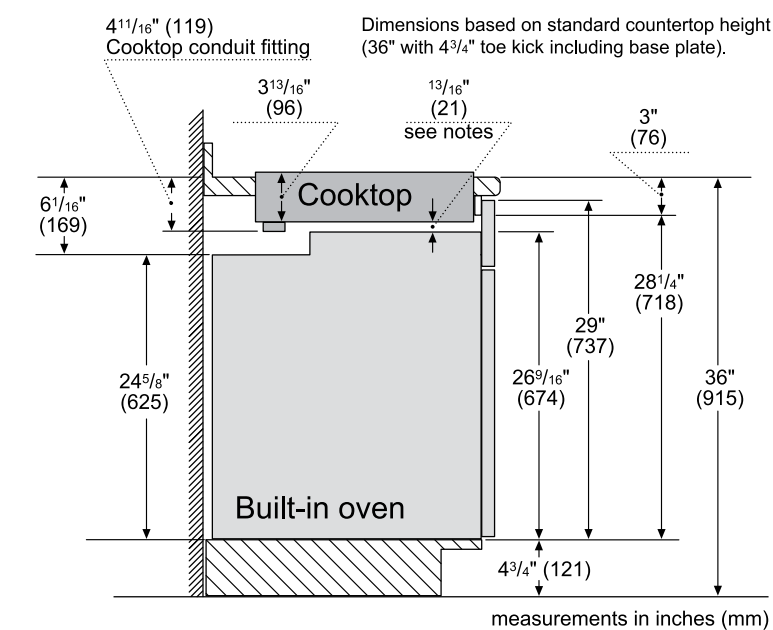
# 500 / 800 Series 30" Electric Cooktops

30" Cooktop and Cutout Dimensions



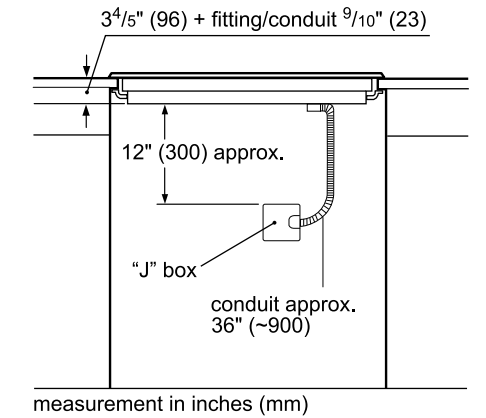
- \* Minimum distance from the cooktop cutout to the wall
- \*\* Maximum cutout depth
- \*\*\* Minimum distance between the cooktop surface and lower edge of the exhaust hood.

Cooktop Installation Above Wall Oven

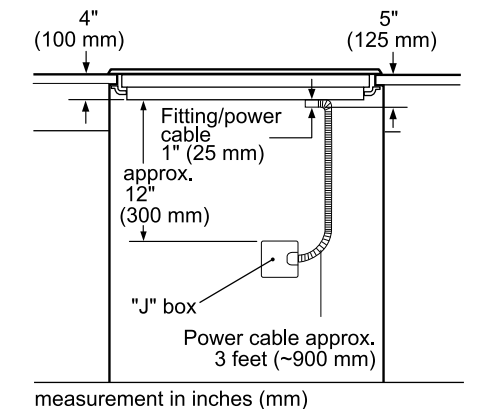


The built-in oven can be installed below the electric cooktop as long as there is no contact between the bottom of the cooktop and the top of the oven.

500 Series – Cooktop Electrical Location



800 Series – Cooktop Electrical Location



NOTE: Bosch electric cooktops can be installed in combination with other Bosch cooking products. See pages 82–83 for details.





# 500 / 800 Series 36" Electric Cooktops



36" 500 Series  
NEM5666UC

- Residual Heat Indicator
- 9", 2,500 W Dual-Ring Element
- 7", 1,700 W Dual-Ring Element
- Stainless Steel Color Knobs



36" 800 Series  
NET8668UC (Frameless)  
NET8668SUC (Frame)

- + PreciseSelect® Control
- + 9", 3,600 W Center Element
- + Countdown Element Shut Off Timer
- + Framed and Frameless Options
- + SpeedBoost®

+ Indicates a step-up feature

	500 Series	800 Series
	Black Frameless – NEM5666UC	Black Frameless – NET8668UC Black with Stainless Steel Frame – NET8668SUC
<b>General Properties</b>		
Knob material	Stainless steel color – plastic	N/A
<b>Element Performance</b>		
Power of front left heating element	1,700 / 700 W	1,800 W
Power of back left heating element	1,800 W	1,800 W
Power of center heating element	1,800 W	3,600 / 1,400 W
Power of back right heating element	1,200 W	1,200 W
Power of front right heating element	2,500 / 1,100 W	1,900 / 800 W
<b>Element Size</b>		
Dimension of front left heating element	7", 5"	7"
Dimension of back left heating element	7"	7"
Dimension of center heating element	7"	9", 6"
Dimension of back right heating element	6"	6"
Dimension of front right heating element	9", 6"	8", 5"
<b>Technical Details</b>		
Watts	9,000 W	10,200 W
Circuit breaker	40 A	50 A
Volts	208–240 V	208–240 V
Frequency	60 Hz	60 Hz
Plug type	No plug	No plug
Energy source	Electric	Electric
<b>Dimensions &amp; Weight</b>		
Overall appliance dimensions (HxWxD)	1/4" +4" x 37" x 21 1/4"	1/4" +4" x 37" x 21 1/4"
Required cutout size (HxWxD)	4" x 34 7/8" x 20"	4" x 34 7/8" x 20"
Minimum distance from counter front	2 1/4"	2 1/4"
Minimum distance from rear wall	2"	2"
Net weight	30 lbs	31 lbs

Optional Accessories



HEZ390210  
8" AutoChef® Pan  
for 6" Element



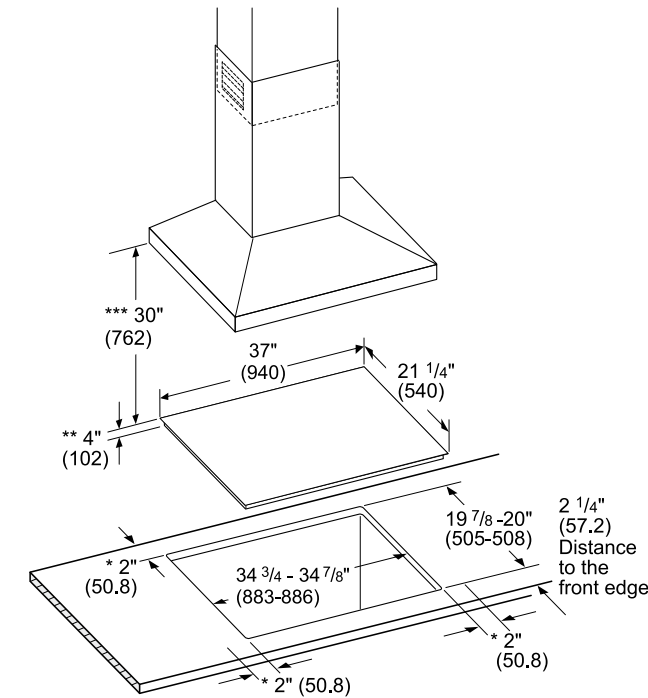
HEZ390220  
9" AutoChef® Pan  
for 7" Element



HEZ390230  
10" AutoChef® Pan  
for 8" and 9" Elements

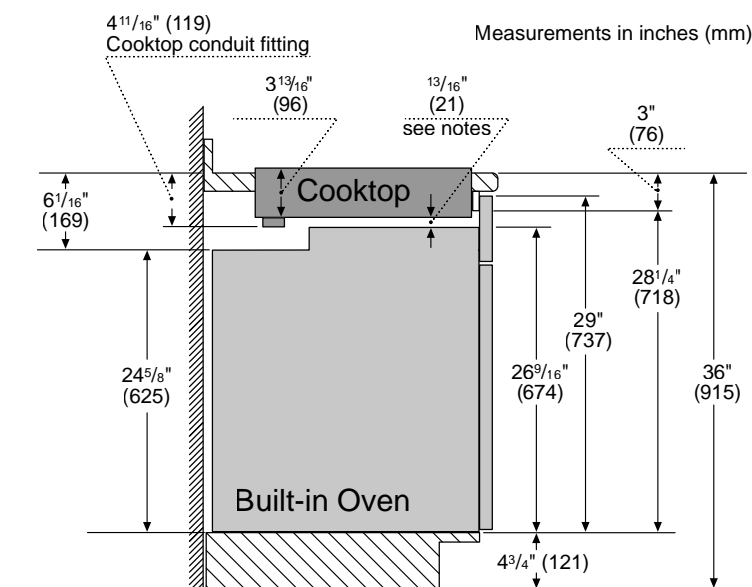
# 500 / 800 Series 36" Electric Cooktops

36" Cooktop and Cutout Dimensions



\* Minimum distance from the cooktop cutout to the wall  
 \*\* Maximum cutout depth  
 \*\*\* Minimum distance between the cooktop surface and lower edge of the exhaust hood.  
 Dimensions in inches (mm)

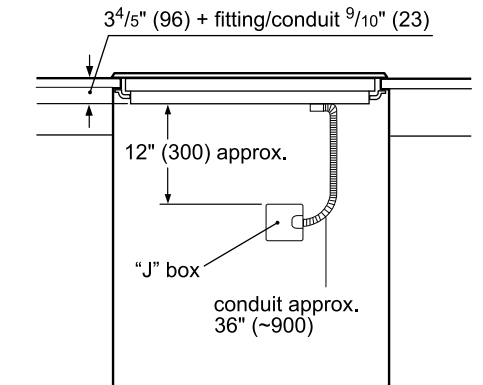
Cooktop Installation Above Wall Oven



Dimensions based on standard countertop height (36" with 4 3/4" toe kick including base plate).

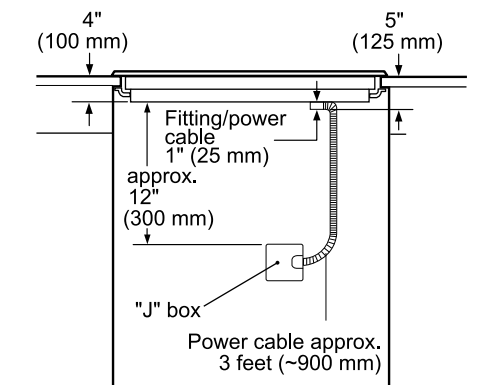
The built-in oven can be installed below the electric cooktop as long as there is no contact between the bottom of the cooktop and the top of the oven.

500 Series – Cooktop Electrical Location



measurement in inches (mm)

800 Series – Cooktop Electrical Location



measurement in inches (mm)

NOTE: Bosch electric cooktops can be installed in combination with other Bosch cooking products. See pages 82–83 for details.



# 800 Series Gas Rangetops



30" 800 Series  
RGM8058UC

- Commercial Design
- 18,000 BTU Dual Flame Ring Power Burner
- 4 Burners
- Dishwasher-safe Grates
- OptiSim® burner
- Stainless Steel Exterior & Knobs



36" 800 Series  
RGM8658UC

- Commercial Design
- 18,000 BTU Dual Flame Ring Power Burner
- 6 Burners
- Dishwasher-safe Grates
- OptiSim® burner
- Stainless Steel Exterior & Knobs

	30"	36"
	Stainless Steel – RGM8058UC	Stainless Steel – RGM8658UC
<b>General Properties</b>		
Number of Burners	4	6
Knob material	Metal	Metal
Control location	Up Front	Up Front
Sealed burners	Yes	Yes
Ignition system	Electric; flame failure device	Electric; flame failure device
Cooktop surface material	Porcelain coated steel	Porcelain coated steel
Grate material	Cast iron	Cast iron
Grate features	Continuous grates; dishwasher safe	Continuous grates; dishwasher safe
<b>Element Performance</b>		
Total BTU load (NG / LP)	47,000 / 47,000	77,000 / 77,000
Power of front left burner (NG / LP) OptiSim®	12,000 / 12,000	18,000 / 18,000
Power of back left burner (NG / LP)	12,000 / 12,000	12,000 / 12,000
Power of front center burner (NG / LP)	N/A	12,000 / 12,000
Power of back center burner (NG / LP)	N/A	12,000 / 12,000
Power of back right burner (NG / LP) Opti-Sim®	5,000 / 5,000	5,000 / 5,000
Power of front right burner (NG / LP) Dual-flame	18,000 / 18,000	18,000 / 18,000
<b>Technical Details</b>		
Circuit breaker	15 A	15 A
Volts	120 V	120 V
Frequency	60 Hz	60 Hz
Plug type	3 prong	3 prong
Power cord length	60"	60"
Energy source	Natural gas (factory set)	Natural gas (factory set)
Convertible to LP (kit required)	Yes	Yes
<b>Dimensions &amp; Weight</b>		
Overall appliance dimensions (HxWxD)	7 1/2" x 29 15/16" x 26 5/8"	7 1/2" x 35 15/16" x 26 5/8"
Required cutout size (HxWxD)	7 3/8" x 30" x 24"	7 3/8" x 36" x 24"
Minimum distance from side wall	20"*	20"*
Net weight	31 lbs	34.5 lbs
<b>Accessories – Included</b>		
Included	LP conversion kit, OptiSim® cap	LP conversion kit, OptiSim® cap

\*If one side has a minimum distance of 28" (711 mm) to the wall, the other distance can be minimum 12" (305 mm) to the wall.

**Optional Accessories**



HEZ9GR41UC  
Griddle



HEZ9GW23UC  
Wok Ring



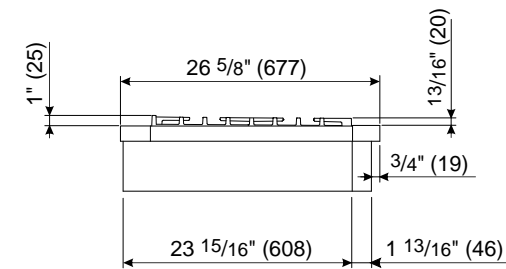
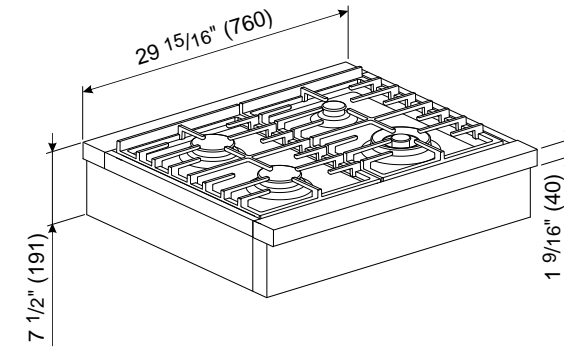
HEZ7YZ30UC  
9" Backguard (Stainless Steel)



HEZ7YZ36UC  
9" Backguard (Stainless Steel)

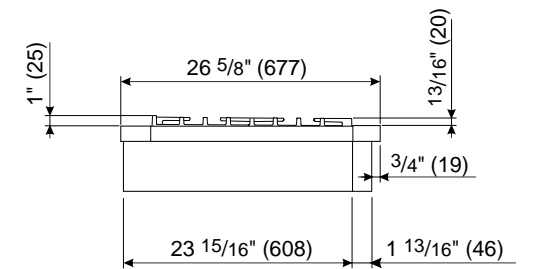
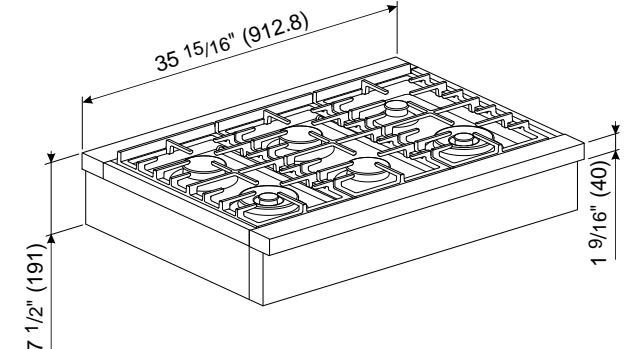
# 800 Series Gas Rangetops

30" Rangetop and Cutout Dimensions

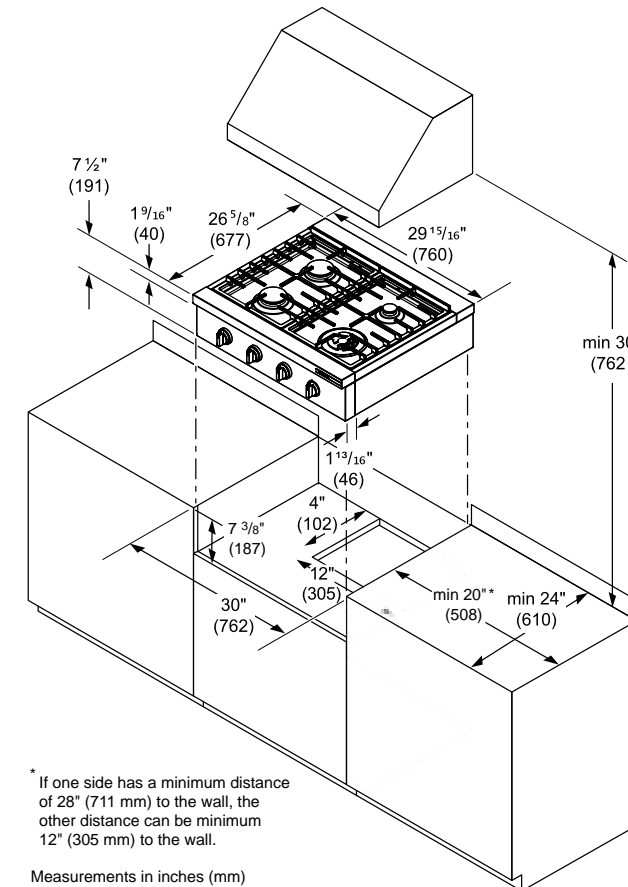


Measurements in inches (mm)

36" Rangetop and Cutout Dimensions

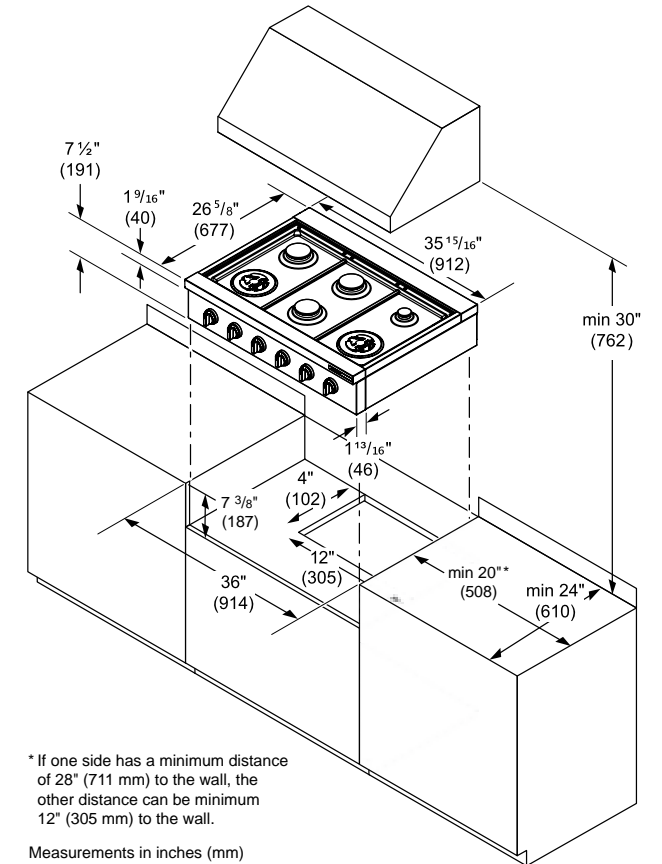


Measurements in inches (mm)



\* If one side has a minimum distance of 28" (711 mm) to the wall, the other distance can be minimum 12" (305 mm) to the wall.

Measurements in inches (mm)



\* If one side has a minimum distance of 28" (711 mm) to the wall, the other distance can be minimum 12" (305 mm) to the wall.

Measurements in inches (mm)





# Built-in Wall Ovens

Bosch ovens are designed to beautifully enhance any kitchen. Whether cooking a quiche for two or preparing a roast for twelve, our ovens are engineered with innovative technologies that perform flawlessly, day in and day out. Bosch ovens let you cook with creativity and ease, with features like QuietClose® doors that never slam shut after a hectic day. Genuine European Convection provides even baking on all three racks. With an understated, built-in look that makes a timeless statement, the Bosch oven complements your taste in both cooking and design.





## Benchmark® Series Built-in Wall Ovens

include these exclusive features:



Enjoy the intuitive ease of our left or right **SideOpening** door, available on Benchmark® Series wall ovens. It provides better ergonomic access to the oven cavity, allowing you to remove heavy dishes effortlessly.



Single wall ovens are **designed to integrate** seamlessly into your kitchen. Install flush for a sleek, timeless look or proud for a more traditional look.



Color TFT Control Panel with **SteelTouch®** buttons provides easy oven operation. The high-definition display features extra sharp images and easy-to-read text.



# Benchmark® Series Single Ovens



Standard Opening Door  
HBLP451UC



SideOpening Left Swing Door  
HBLP451LUC



SideOpening Right Swing Door  
HBLP451RUC

All 30" Benchmark® Series Single Ovens

- Color TFT Control Panel
- Halogen Lights
- AutoProbe

30" Benchmark® Series	
Standard Opening Stainless Steel – HBLP451UC	
SideOpening Left Swing Stainless Steel – HBLP451LUC	
SideOpening Right Swing Stainless Steel – HBLP451RUC	

General Properties	
Cooking modes	Bake, Variable Broil (Hi & Low), Roast, Warm, Sabbath, Proof Dough, Convection Bake, Convection Broil, Convection Roast, Pizza, Multi Rack Genuine European Convection, Convection Conversion, AutoProbe, Fast Preheat, EcoChef, Speed Convection (Frozen Foods)
Cleaning type	Self clean
Telescopic rack	1
Illumination type	Halogen
Interior lights	2
Oven Performance	
Bake element wattages	2,400 W
Broil element wattages	3,800 W
Convection element wattages	2,000 W
Technical Details	
Watts (W)	6,325 W
Circuit breaker (A)	30 A
Volts (V)	240 / 208 V
Frequency (Hz)	60 Hz
Power cord length (in)	50"
Plug type	Fixed connection, no plug
Energy source	Electric
Dimensions & Weight	
Overall appliance dimensions (HxWxD) (in)	29" x 29 3/4" x 24 1/2"
Required cutout size – standard (HxWxD) (in)	27" – 28 5/8" x 28 1/2" x 23 1/2"
Required cutout size – flush (HxWxD) (in)	29 1/8" x 30 3/4" x 24 1/2"
Oven cavity size (cu. ft.)	4.6 cu. ft.
Overall oven interior dimensions (HxWxD) (in)	17 13/16" x 24 1/8" x 18"
Usable oven interior dimensions (HxWxD) (in)	12 5/16" x 23 1/4" x 15 1/4"
Net weight (lbs)	149 lbs
Accessories – Included	
Included	1 Telescopic and 2 standard oven racks, temperature probe, broiler pan

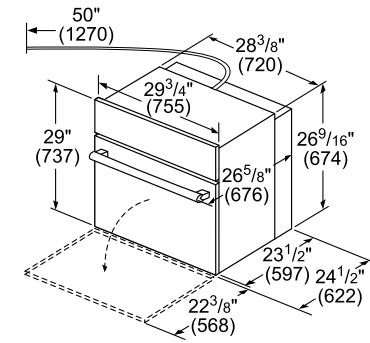
### Optional Accessories



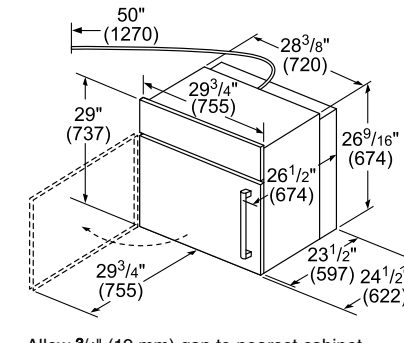
HEZTR301  
30" Telescopic Rack

# Benchmark® Series Single Ovens

### 30" Single Wall Oven

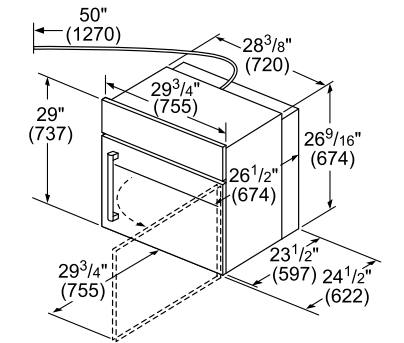


### 30" SideOpening Left Swing Door



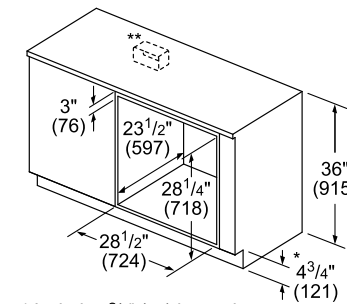
Allow 3/4" (19 mm) gap to nearest cabinet face for door swing on SideOpening models

### 30" SideOpening Right Swing Door



Allow 3/4" (19 mm) gap to nearest cabinet face for door swing on SideOpening models

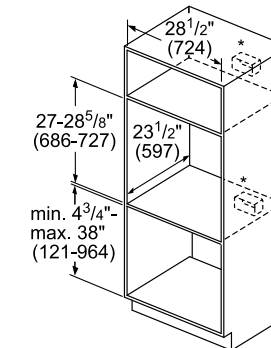
### Under-Counter Installation



\* Includes 3/4" (19) base plate

\*\*For single ovens installed under a countertop, the junction box may be located to the left or right of the unit within reach of the power conduit.

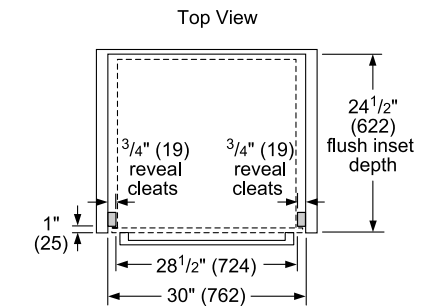
### Wall-Mounted Installation



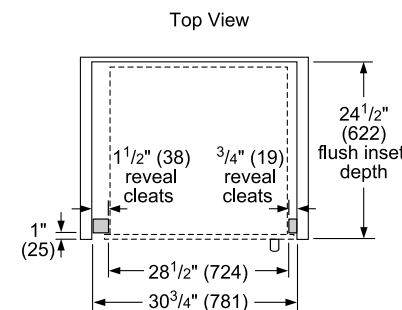
\* For single ovens installed into a wall cabinet, the junction box may be located above or beneath the unit within reach of the power conduit.

measurements in inches (mm)

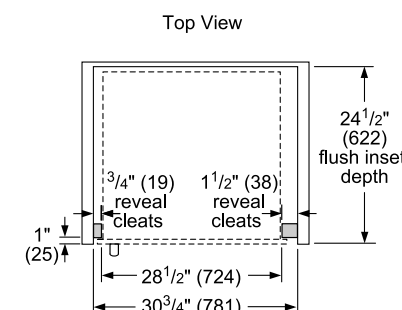
### 30" Single Wall Oven Flush Install



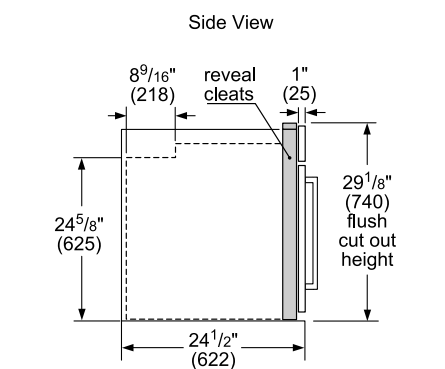
### 30" SideOpening Left Swing Door Flush Installation



### 30" SideOpening Right Swing Door Flush Installation



### Single Wall Oven Flush Installation



Measurements in inches (mm)

NOTE: Bosch single wall ovens can be installed in combination with other Bosch cooking products. See pages 74–75 for details.



# 500 Series 24" Single Ovens



24" 500 Series  
HBE5453UC

- 2.8 cu. ft.
- Genuine European Convection
- Telescopic Extension Rail
- DualClean® System



24" 500 Series  
HBE5452UC

- 2.5 cu. ft.
- Genuine European Convection
- EcoClean® System
- Ring Control with TFT Display
- Home Connect™

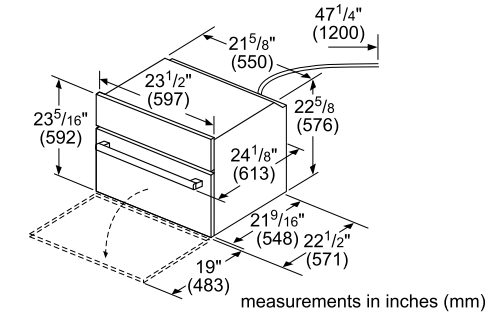


+ Indicates a step-up feature

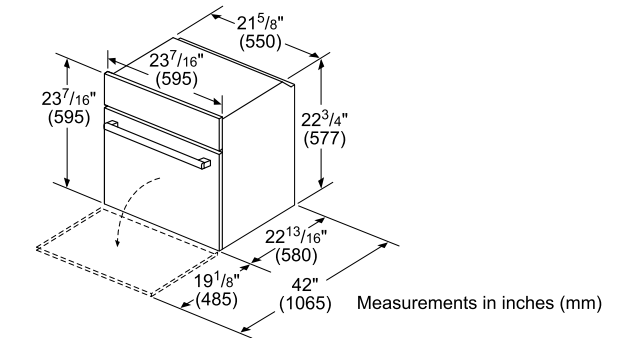
	500 Series	500 Series
	24" Stainless Steel – HBE5453UC	24" Stainless Steel – HBE5452UC
<b>General Properties</b>		
Home Connect™ (Wi-Fi enabled)	N/A	Yes
Cooking modes	Bake, Broil Plus, Convection Bake, Convection Broil, Convection Broil Plus, Multi-Rack Genuine European Convection, Pie, Warm, Defrost, Frozen Foods	Convection Multi-Rack, Bake, Pizza, Roast, Proof, Convection Broil, Broil, Slow Cooking, Defrost, Plate Warming, Warming
Cleaning type	DualClean® System (uses the cavity coating and heat to burn off most grease)	EcoClean® Coating
Telescopic rack	1	N/A
Illumination type	Halogen	Halogen
Interior lights	2	1
<b>Oven Performance</b>		
Bake / broil element wattages	1,300 / 2,950 W	1,420 / 3,050 W
Convection element wattages	1,700 W	2,300 W
<b>Technical Details</b>		
Watts (W)	3,100 W	3,840 W
Circuit breaker (A)	20 A	20 A
Volts (V)	240 / 208 V	240 / 208 V
Frequency (Hz)	60 Hz	60 Hz
Power cord length (in)	47 1/4"	60"
Plug type	Fixed connection, no plug	Fixed connection, no plug
Energy source	Electric	Electric
<b>Dimensions &amp; Weight</b>		
Overall appliance dimensions (HxWxD) (in)	23 5/16" x 23 1/2" x 22 1/2"	23 7/16" x 23 7/16" x 22 13/16"
Required cutout size – standard (HxWxD) (in)	22 15/16" – 23 1/16" x 21 15/16" x 22 1/16"	23 1/16" x 22 1/8" x 23 1/2"
Required cutout size – flush (HxWxD) (in)	23 9/16" x 23 3/4" x 22 15/16"	23 5/8" x 23 3/4" x 23 5/8"
Oven cavity size (cu. ft.)	2.8 cu. ft.	2.5 cu. ft.
Overall oven interior dimensions (HxWxD) (in)	15 5/16" x 18 1/4" x 17 5/8"	14 1/2" x 18 7/8" x 17 3/8"
Usable oven interior dimensions (HxWxD) (in)	14" x 17 1/2" x 16 5/16"	11 1/2" x 15 1/2" x 15 5/8"
Net weight (lbs)	87 lbs	83 lbs
<b>Accessories – Included</b>		
Included	1 Standard rack, 1 telescopic extension rail, 1 enamel baking pan	3 Standard oven racks

# 500 Series 24" Single Ovens

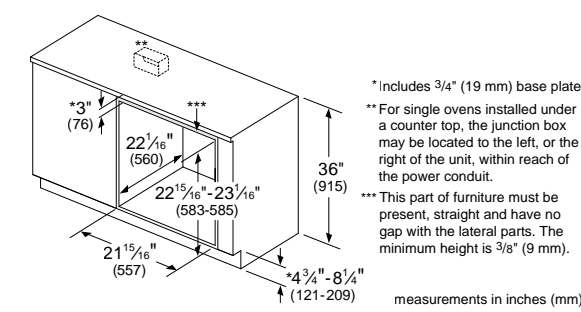
HBE5453UC Single Wall Oven



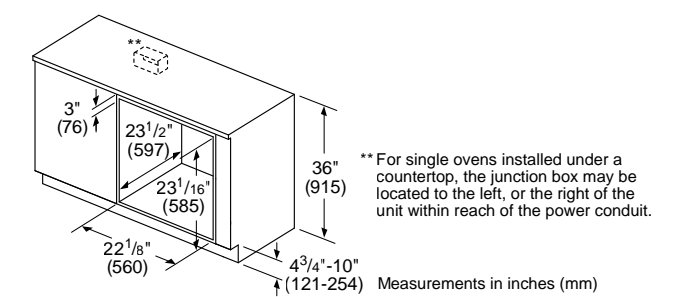
HBE5452UC Single Wall Oven



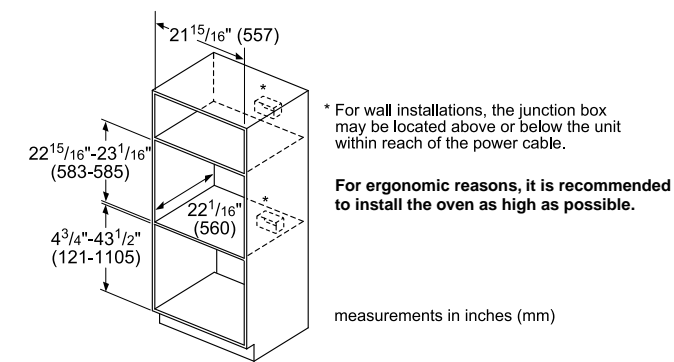
HBE5453UC Single Oven Under-Counter Installation



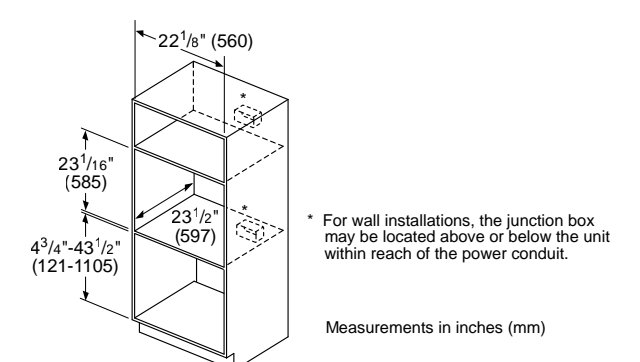
HBE5452UC Single Oven Under-Counter Installation



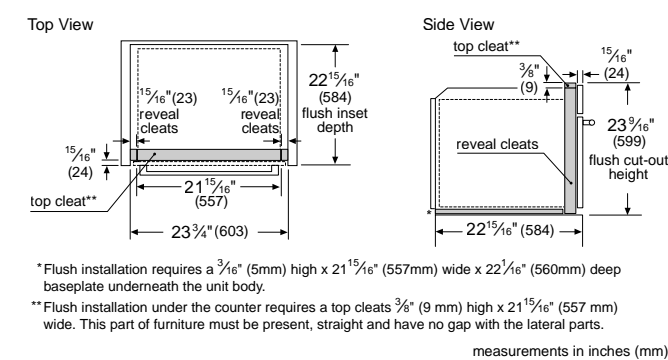
HBE5453UC Single Oven Wall-Mounted Installation



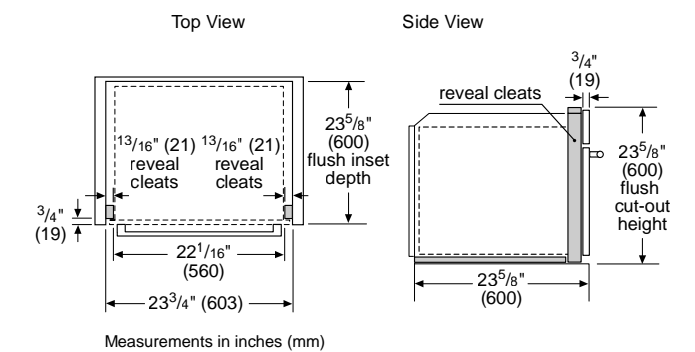
HBE5452UC Single Oven Wall-Mounted Installation



HBE5453UC Single Wall Oven Flush Installation



HBE5452UC Single Wall Oven Flush Installation



# 500 / 800 Series Single Ovens



**30" 500 Series**  
HBL5351UC

- 4.6 cu. ft.
- Thermal Cooking
- Stainless Steel Knobs



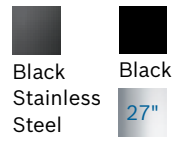
**500 Series**  
30" HBL5451UC  
27" HBN5451UC

- 4.6 cu. ft. (27" is 3.9 cu. ft.)
- + European Convection
- Stainless Steel Knobs



**800 Series**  
30" HBL8453UC  
30" HBL8443UC  
30" HBL8463UC  
27" HBN8451UC

- 4.6 cu. ft. (27" is 3.9 cu. ft.)
- + QuietClose® Door
- + Fast Preheat™
- + Touch Control
- + Extension Rack
- + Temperature Probe
- + Home Connect (30")



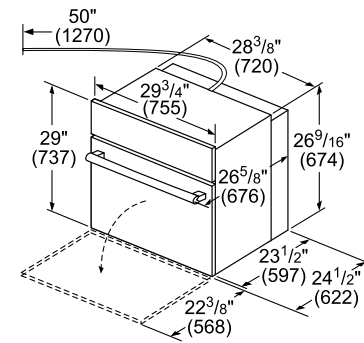
+ Indicates a step-up feature

500 Series	500 Series	800 Series
30" Stainless Steel – HBL5351UC	30" Stainless Steel – HBL5451UC 27" Stainless Steel – HBN5451UC	30" Stainless Steel – HBL8453UC 30" Black Stainless Steel – HBL8443UC 30" Black – HBL8463UC 27" Stainless Steel – HBN8451UC

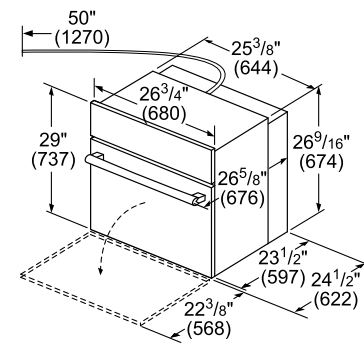
General Properties			
Cooking modes	Bake, Variable Broil (Hi & Low), Roast, Warm, Sabbath	Bake, Variable Broil (Hi & Low), Roast, Warm, Sabbath, Proof Dough, Convection Bake, Convection Broil, Convection Roast, Pizza, Multi Rack Genuine European Convection, Convection Conversion	Bake, Variable Broil (Hi & Low), Roast, Warm, Sabbath, Proof Dough, Convection Bake, Convection Broil, Convection Roast, Pizza, Multi Rack Genuine European Convection, Convection Conversion, Temperature Probe, Fast Preheat
Cleaning type	Self clean	Self clean	Self clean
Telescopic rack	0	0	1
Illumination type	Halogen	30" Halogen / 27" Incandescent	30" Halogen / 27" Incandescent
Interior lights	1	30": 1; 27": 2	2
Oven Performance			
Bake / broil element wattages	2,400 / 3,800 W	2,400 / 3,800 W	2,400 / 3,800 W
Convection element wattages	N/A	2,000 W	2,000 W
Technical Details			
Watts (W)	6,275 W	6,325 W	6,325 W
Circuit breaker (A)	30 A	30 A	30 A
Volts (V)	240 / 208 V	240 / 208 V	240 / 208 V
Frequency (Hz)	60 Hz	60 Hz	60 Hz
Power cord length (in)	50"	50"	50"
Plug type	Fixed connection, no plug	Fixed connection, no plug	Fixed connection, no plug
Energy source	Electric	Electric	Electric
Dimensions & Weight			
Overall appliance dimensions (HxWxD) (in)	29" x 29 3/4" x 24 1/2"	30": 29" x 29 3/4" x 24 1/2" 27": 29" x 26 3/4" x 24 1/2"	30": 29" x 29 3/4" x 24 1/2" 27": 29" x 26 3/4" x 24 1/2"
Required cutout size – standard (HxWxD) (in)	27" – 28 5/8" x 28 1/2" x 23 1/2"	30": 27" – 28 5/8" x 28 1/2" x 23 1/2" 27": 27" – 28 5/8" x 25 1/2" x 23 1/2"	30": 27" – 28 5/8" x 28 1/2" x 23 1/2" 27": 27" – 28 5/8" x 25 1/2" x 23 1/2"
Required cutout size – flush (HxWxD) (in)	29 1/8" x 30" x 24 1/2"	30": 29 1/8" x 30" x 24 1/2" 27": 29 1/8" x 27" x 24 1/2"	30": 29 1/8" x 30" x 24 1/2" 27": 29 1/8" x 27" x 24 1/2"
Oven cavity size (cu. ft.)	4.6 cu. ft.	30": 4.6 cu. ft.; 27": 3.9 cu. ft.	30": 4.6 cu. ft.; 27": 3.9 cu. ft.
Overall oven interior dimensions (HxWxD) (in)	17 13/16" x 24 1/8" x 18"	30": 17 13/16" x 24 1/8" x 18" 27": 17 13/16" x 21 1/16" x 18"	30": 17 13/16" x 24 1/8" x 18" 27": 17 13/16" x 21 1/16" x 18"
Usable oven interior dimensions (HxWxD) (in)	12 5/16" x 23 1/4" x 15 1/4"	30": 12 5/16" x 23 1/4" x 15 1/4" 27": 12 5/16" x 20 1/4" x 15 1/4"	30": 12 1/4" x 23 1/4" x 15 1/4" 27": 12 5/16" x 20 1/4" x 15 1/4"
Net weight (lbs)	149 lbs	27": 127 lbs; 30": 149 lbs	27": 127 lbs; 30": 149 lbs
Accessories – Included			
Included	2 Standard oven racks	2 Standard oven racks	1 Telescopic and 2 standard oven racks, temperature probe

# 500 / 800 Series Single Ovens

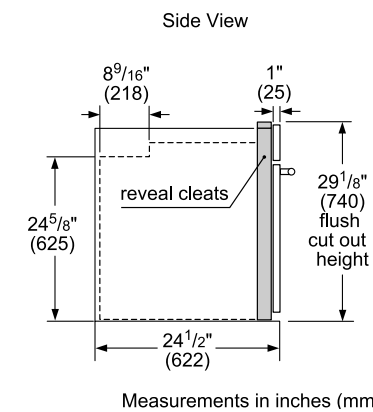
## 30" Single Wall Oven



## 27" Single Wall Oven



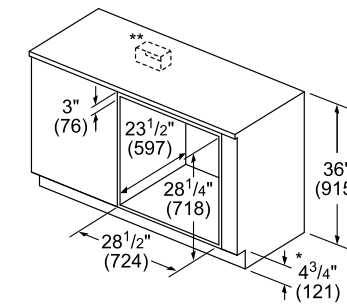
## Single Wall Oven Flush Installation



## Optional Accessories for 30" Single Wall Ovens



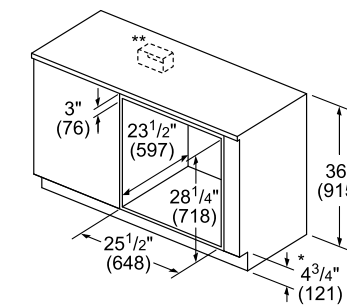
## 30" Single Oven Under-Counter Installation



\* Includes 3/4" (19) base plate

\*\* For single ovens installed under a countertop, the junction box may be located to the left or right of the unit within reach of the power conduit.

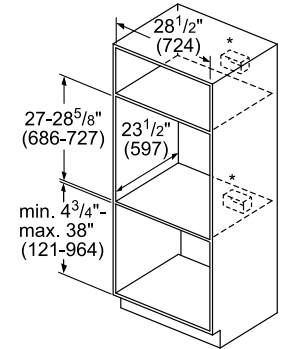
## 27" Single Oven Under-Counter Installation



\* Includes 3/4" (19) base plate

\*\* For single ovens installed under a countertop, the junction box may be located to the left or right of the unit within reach of the power conduit.

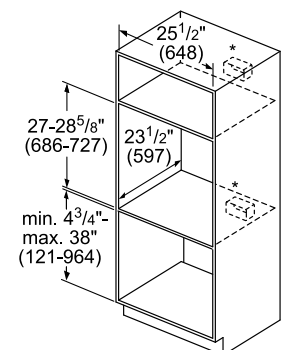
## 30" Single Oven Wall-Mounted Installation



\* For single ovens installed into a wall cabinet, the junction box may be located above or beneath the unit within reach of the power conduit.

measurements in inches (mm)

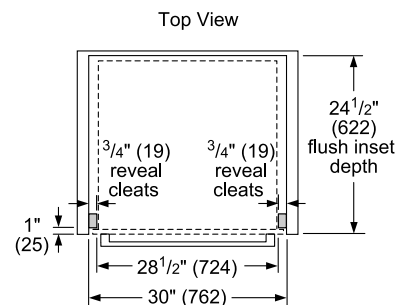
## 27" Single Oven Wall-Mounted Installation



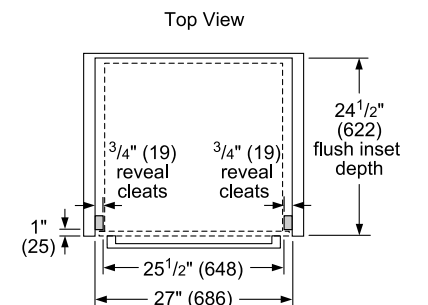
\* For single ovens installed into a wall cabinet, the junction box may be located above or beneath the unit within reach of the power conduit.

measurements in inches (mm)

## 30" Single Wall Oven Flush Install



## 27" Single Wall Oven Flush Install



**NOTE:** Bosch single wall ovens can be installed in combination with other Bosch cooking products. See pages 78–79 for details. Horizontal installation of a 27" oven next to a 27" speed oven with warming drawer is possible, but the speed oven and warming drawer require either two or one cutout with a shelf support in between.



# Benchmark® Series Steam Convection Oven



30" Benchmark® Series  
Steam Convection  
HSLP451UC

- 1.4 cu. ft.
- Color TFT Control Panel
- Halogen Lights
- Chicken and Vegetable Program
- No Trim Kit Needed

### 30" Steam Convection

Stainless Steel – HSLP451UC

#### General Properties

Cooking modes	Steam, Steam Convection, European Convection, Reheat, Keep Warm, Defrost, Slow Cook, Proof, Dish Warming, 2 Chicken and 7 Vegetable Programs
Cleaning type	Steam clean
Illumination type	Halogen
Interior lights	1

#### Oven Performance

Steam element wattage	1,960 W
Convection element wattages	1,960 W

#### Technical Details

Watts (W)	1,960 W
Circuit breaker (A)	15 A
Volts (V)	240 / 208 V
Frequency (Hz)	60 Hz
Power cord length (in)	48"
Plug type	Fixed connection, no plug
Energy source	Electric
Installation Type	Non-plumbed

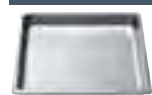
#### Dimensions & Weight

Overall appliance dimensions (HxWxD) (in)	19 5/8" x 29 3/4" x 22 3/8"
Oven cavity size (cu. ft.)	1.4 cu. ft.
Required cutout size – standard (HxWxD) (in)	19 1/4" x 28 1/2" x 23 1/2"
Required cutout size – flush (HxWxD) (in)	20 1/8" x 30" x 23 1/2"
Net weight (lbs)	70 lbs

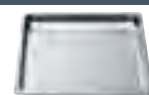
#### Accessories – Included

Included	Wire rack, perforated cooking pan – full size, baking tray, perforated cooking pan – half size, cooking
----------	---

#### Optional Accessories



11027159  
Cooking Pan – full size, 1 5/8" deep [not included with product]



00664949  
Baking Tray – full size, 1 1/8" deep



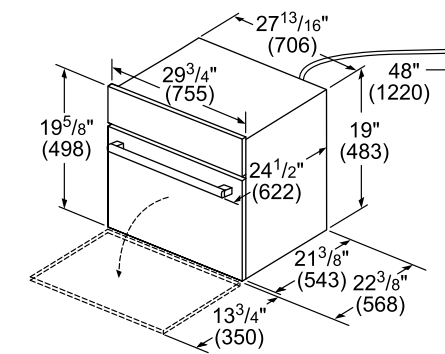
00577553  
Perforated Cooking Pan – half size, 1 5/8" deep



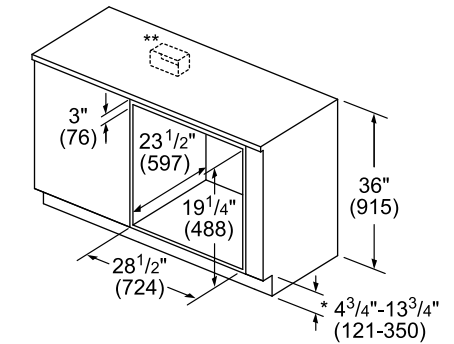
00577552  
Cooking Pan – half size, 1 5/8" deep

# Benchmark® Series Steam Convection Oven

## Product Dimensions



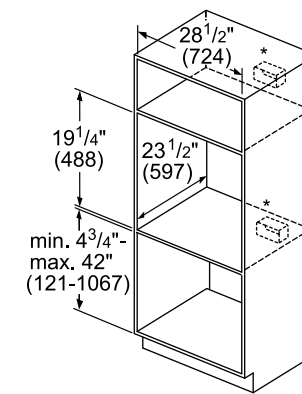
## Under-Counter Installation



\* Includes 3/4" (19) base plate

\*\* Receptacle may be located to the left or right of the unit within reach of the power cord.

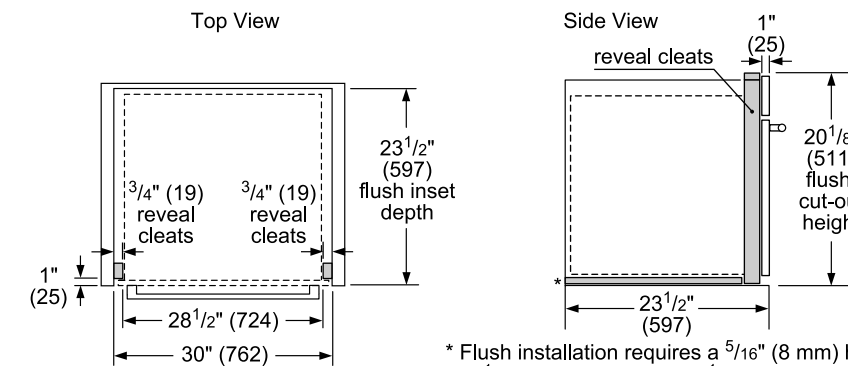
## Wall Mounted Installation



\* Receptacle may be located above or beneath the unit within reach of the power cord.

measurements in inches (mm)

## Flush Installation



\* Flush installation requires a 5/16" (8 mm) high x 28 1/2" (724 mm) wide x 22 1/2" (571 mm) deep baseplate underneath the unit body.

Measurements in inches (mm)

NOTE: Bosch steam convection oven can be installed in combination with other Bosch cooking products. See page 73 for details.





# Benchmark® Series Speed & Steam Combination Ovens



30" Benchmark® Series Speed Combination Oven HBLP752UC

- 240V Speed Oven (U)
- Color TFT Control Panel (U&L)
- LED (U) / Halogen (L)
- AutoProbe (L)



30" Benchmark® Series Steam Convection Combination Oven HSLP751UC

- Steam Convection Oven (U)
- Color TFT Control Panel (L)
- Halogen Lights (U&L)
- AutoProbe (L)

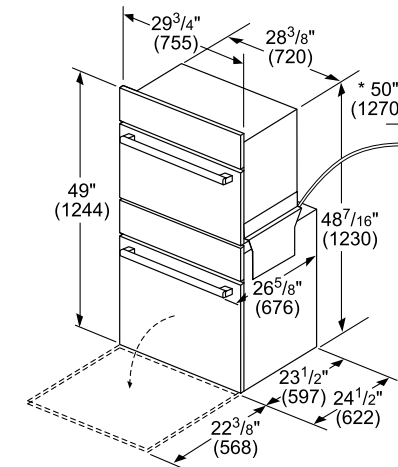
U=Upper; L=Lower

	30" Speed Combination Stainless Steel – HBLP752UC	30" Steam Convection Combination Stainless Steel – HSLP751UC
<b>General Properties</b>		
Cooking modes – upper cavity	Microwave; 12 Auto Programs (Including Auto Defrost, Melt Butter, Soften Ice Cream, Pizza), 9 Sensor Cook Programs, 9 AutoChef® Speed Programs, Hi & Lo Broil, European Convection, Keep Warm, Frozen Foods	Steam, Steam Convection, European Convection, Reheat, Keep Warm, Defrost, Slow Cook, Proof, Dish Warming, 2 Chicken and 7 Vegetable Programs
Cooking modes – lower cavity	Bake, Variable Broil (Hi & Low), Roast, Warm, Sabbath, Proof Dough, Convection Bake, Convection Broil, Convection Roast, Pizza, Multi Rack Genuine European Convection, Convection Conversion, AutoProbe, Fast Preheat, EcoChef, Speed Convection (Frozen Foods)	Bake, Variable Broil (Hi & Low), Roast, Warm, Sabbath, Proof Dough, Convection Bake, Convection Broil, Convection Roast, Pizza, Multi Rack Genuine European Convection, Convection Conversion, AutoProbe, Fast Preheat, EcoChef, Speed Convection (Frozen Foods)
Cleaning type – lower cavity	Self clean	Self clean
Telescopic rack	1	1
Illumination type	LED (Upper) / Halogen (Lower)	Halogen (upper and lower)
Interior lights – upper / lower cavity	1 / 2	1 / 2
<b>Oven Performance</b>		
Microwave power – upper cavity	1000 W	N/A
Bake / broil element wattages – upper cavity	600 / 1,750 W	1,960 W*
Bake / broil element wattages – lower cavity	2,400 / 3,800 W	2,400 / 3,800 W
Convection element wattages – upper cavity / lower cavity	1,700 W / 2,000 W	1,960 W / 2,000 W
<b>Technical Details</b>		
Watts (W)	9,725 W	8,325 W
Circuit breaker (A)	40 A	40 A
Volts (V); Frequency (Hz)	240 / 208 V; 60 Hz	240 / 208 V; 60 Hz
Power cord length (in)	50"	50"
Plug type	Fixed connection, no plug	Fixed connection, no plug
Energy source	Electric	Electric
Installation type	N/A	Non-plumbed
<b>Dimensions &amp; Weight</b>		
Overall appliance dimensions (HxWxD) (in)	49" x 29 3/4" x 24 1/2"	49" x 29 3/4" x 24 1/2"
Required cutout size – standard (HxWxD) (in)	48 5/8" x 28 1/2" x 23 1/2"	48 5/8" x 28 1/2" x 23 1/2"
Required cutout size – flush (HxWxD) (in)	49 1/8" x 30" x 24 1/2"	49 1/8" x 30" x 24 1/2"
Oven cavity size – upper / lower cavity (cu. ft.)	1.6 / 4.6 cu. ft.	1.6 / 4.6 cu. ft.
Overall lower oven interior dimensions (HxWxD) (in)	17 13/16" x 24 1/8" x 18"	17 13/16" x 24 1/8" x 18"
Usable lower oven interior dimensions (HxWxD) (in)	12 5/16" x 23 1/4" x 15 1/4"	12 5/16" x 23 1/4" x 15 1/4"
Net weight (lbs)	259 lbs	219 lbs
<b>Accessories – Included</b>		
Included	Upper oven: metal turntable, square rack, ceramic cooking tray; Lower oven: 1 telescopic and 2 standard oven racks, temperature probe, broiler pan	Upper oven: wire rack, perforated cooking pan – full size, baking tray, perforated cooking pan – half size, cooking pan – half size; Lower oven: 1 telescopic and 2 standard oven racks, temperature probe, broiler pan

\*Element below water reservoir that generates steam

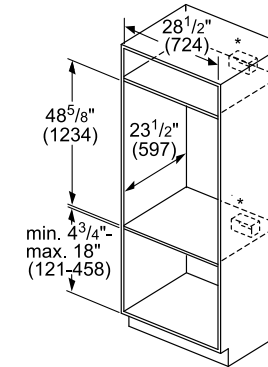
# Benchmark® Series Speed & Steam Combination Ovens

## Product Dimensions



\* Power cable 50" (1270 mm) from the lower oven.

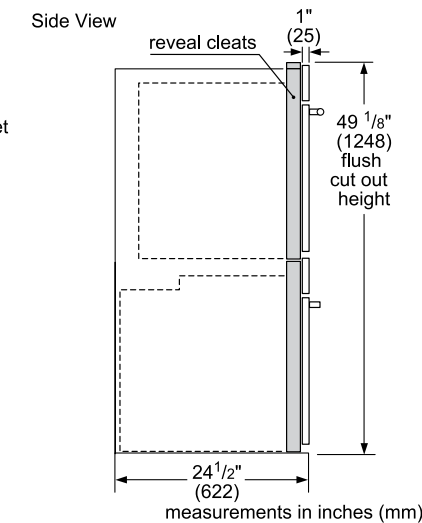
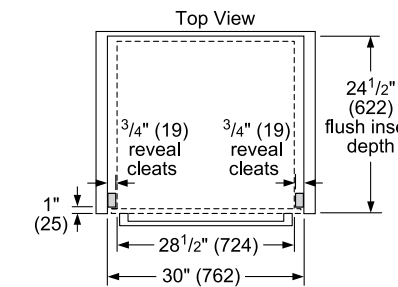
## Cutout Dimensions



\* Junction box may be installed above, below, or to the left or right of the unit within reach of the power cable

measurements in inches (mm)

## Flush Installation



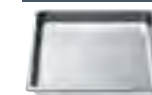
NOTE: Bosch combination wall ovens can be installed in combination with other Bosch cooking products. See page 77 for details.

## Optional Accessories



**HEZTR301**  
30" Telescopic Rack – for use in lower oven in the speed, steam, and microwave combination ovens

## Optional Accessories for Steam Convection Combination Oven



**11027159**  
Cooking Pan – full size, 1 5/8" deep [not included with product]



**00664949**  
Baking Tray – full size, 1 1/8" deep



**00577553**  
Perforated Cooking Pan – half size, 1 5/8" deep



**00577552**  
Cooking Pan – half size, 1 5/8" deep



# 500 / 800 Series Combination Ovens



30" 500 Series  
HBL57M52UC

- 120V Microwave Oven (U)
- 4.6 cu. ft. (L)
- European Convection (L)
- Stainless Steel Knobs (L)



30" 800 Series  
HBL87M53UC

- 120V Microwave Oven (U)
- 4.6 cu. ft. (L)
- + QuietClose® Door (L)
- + Extension Rack (L)
- + Temperature Probe (L)
- + Home Connect (L)
- + LED Light (U)



30" 800 Series  
HBL8753UC  
HBL8743UC

- 240V Speed Oven (U)
- 4.6 cu. ft. (L)
- + 12 Auto Programs (U)
- + 1000 W Microwave (L)
- Home Connect (L)



Black  
Stainless Steel

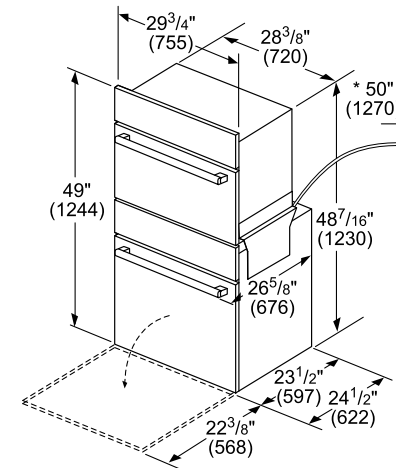
+ Indicates a step-up feature  
U=Upper; L=Lower

500 Series	800 Series	800 Series
Stainless Steel – HBL57M52UC	Stainless Steel – HBL87M53UC	Stainless Steel – HBL8753UC Black Stainless Steel – HBL8743UC

General Properties			
Cooking modes – upper cavity	Microwave; 10 Sensor Cooking Programs (Including Baked Potato, Sweet Potato, Fresh Vegetable, Frozen Vegetable, Ground Meat, Fish/Seafood, Brown Rice, White Rice, Frozen Entrées, Reheat), Popcorn, Beverage, Melt/Soften, Defrost	Microwave; 10 Sensor Cooking Programs (Including Baked Potato, Sweet Potato, Fresh Vegetable, Frozen Vegetable, Ground Meat, Fish/Seafood, Brown Rice, White Rice, Frozen Entrées, Reheat), Popcorn, Beverage, Melt/Soften, Defrost	Speed Oven; 12 Auto Programs (Including Auto Defrost, Melt Butter, Soften Ice Cream, Pizza), 9 Sensor Cook Programs, 9 SpeedChef® Programs, Hi & Lo Broil, European Convection, Keep Warm, Frozen Foods
Cooking modes – lower cavity	Bake, Variable Broil (Hi & Low), Roast, Warm, Sabbath, Proof Dough, Convection Bake, Convection Broil, Convection Roast, Pizza, Multi Rack Genuine European Convection, Convection Conversion	Bake, Variable Broil (Hi & Low), Roast, Warm, Sabbath, Proof Dough, Convection Bake, Convection Broil, Convection Roast, Pizza, Multi Rack Genuine European Convection, Convection Conversion, Temperature Probe, Fast Preheat	Bake, Variable Broil (Hi & Low), Roast, Warm, Sabbath, Proof Dough, Convection Bake, Convection Broil, Convection Roast, Pizza, Multi Rack Genuine European Convection, Convection Conversion, Temperature Probe, Fast Preheat
Cleaning type – lower cavity	Self clean	Self clean	Self clean
Telescopic rack	0	1	1
Illumination type	LED (Upper) / Halogen (Lower)	LED (upper) / Halogen (lower)	LED (upper) / Halogen (lower)
Interior lights – upper / lower cavity	1 / 1	1 / 2	1 / 2
Oven Performance			
Microwave power – upper cavity	950 W	950 W	1000 W
Bake / broil element wattages – upper	N/A	N/A	600 / 1,750 W
Convection element wattages – upper	N/A	N/A	1,700 W
Bake / broil element wattages – lower	2,400 / 3,800 W	2,400 / 3,800 W	2,400 / 3,800 W
Convection element wattages – lower	2,000 W	2,000 W	2,000 W
Technical Details			
Watts (W)	9,600 W	9,600 W	9,600 W
Circuit breaker (A)	40 A	40 A	40 A
Volts (V); Frequency (Hz)	240 / 208 V; 60 Hz	240 / 208 V; 60 Hz	240 / 208 V; 60 Hz
Power cord length (in)	50"	50"	50"
Plug type	Fixed connection, no plug	Fixed connection, no plug	Fixed connection, no plug
Energy source	Electric	Electric	Electric
Dimensions & Weight			
Overall appliance dimensions (HxWxD) (in)	49" x 29 3/4" x 24 1/2"	49" x 29 3/4" x 24 1/2"	49" x 29 3/4" x 24 1/2"
Required cutout size – standard (HxWxD) (in)	48 5/8" x 28 1/2" x 23 1/2"	48 5/8" x 28 1/2" x 23 1/2"	48 5/8" x 28 1/2" x 23 1/2"
Required cutout size – flush (HxWxD) (in)	49 1/8" x 30" x 24 1/2"	49 1/8" x 30" x 24 1/2"	49 1/8" x 30" x 24 1/2"
Overall upper oven interior (HxWxD) (in.)	9 7/8" x 16 1/2" x 16 1/2"	9 7/8" x 16 1/2" x 16 1/2"	9 7/8" x 16 1/2" x 16 1/2"
Turntable – glass max. cookware – upper	14 1/8" dia.	14 1/8" dia.	N/A
Turntable – metal max. cookware – upper	N/A	N/A	14 1/8" dia.
Turntable – ceramic tray max. – upper	N/A	N/A	13 3/4" dia.
Rack – rectangular cookware max. – upper	N/A	N/A	15" x 12"
Oven cavity size – upper / lower cavity (cu. ft.)	1.6 / 4.6 cu. ft.	1.6 / 4.6 cu. ft.	1.6 / 4.6 cu. ft.
Overall lower oven interior (HxWxD) (in)	17 13/16" x 24 1/8" x 18"	17 13/16" x 24 1/8" x 18"	17 13/16" x 24 1/8" x 18"
Usable lower oven interior (HxWxD) (in)	12 5/16" x 23 1/4" x 15 1/4"	12 1/4" x 23 1/4" x 15 1/4"	12 1/4" x 23 1/4" x 15 1/4"
Net weight (lbs)	259 lbs	259 lbs	259 lbs

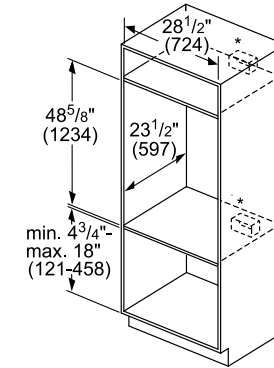
# 500 / 800 Series Combination Ovens

## Product Dimensions



\* Power cable 50" (1270 mm) from the lower oven.

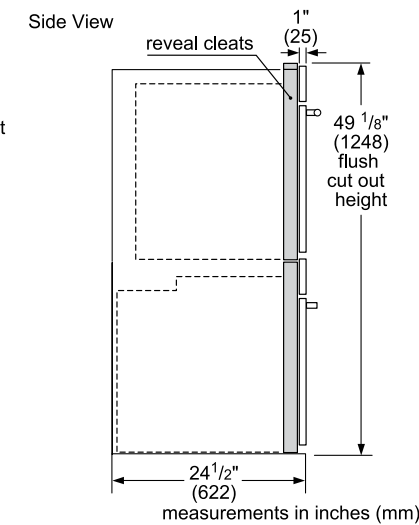
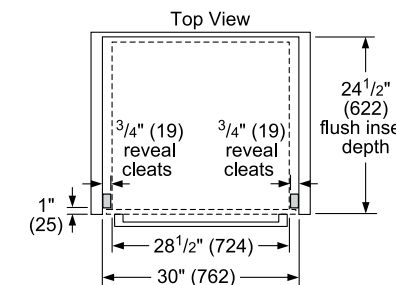
## Cutout Dimensions



\* Junction box may be installed above, below, or to the left or right of the unit within reach of the power cable

measurements in inches (mm)

## Flush Installation



NOTE: Bosch combination wall ovens can be installed in combination with other Bosch cooking products. See page 81 for details.

500 Series	800 Series	800 Series
Stainless Steel – HBL57M52UC	Stainless Steel – HBL87M53UC	Stainless Steel – HBL8753UC Black Stainless Steel – HBL8743UC

Accessories – Included			
Included	Upper oven: metal turntable, square rack, ceramic cooking tray; Lower oven: 2 standard oven racks	Upper Oven: glass turntable Lower Oven: 1 telescopic and 2 standard oven racks, temperature probe	Upper oven: metal turntable, square rack, ceramic cooking tray; Lower oven: 1 telescopic and 2 standard oven racks, temperature probe

## Optional Accessories



HEZTR301  
30" Telescopic Rack – for use in lower oven in the speed, steam, and microwave combination oven



# Benchmark® Series Double Ovens



Standard Opening Door  
HBLP651UC



SideOpening Left Swing Door  
HBLP651LUC



SideOpening Right Swing Door  
HBLP651RUC

## 30" Benchmark® Series Double Ovens

- European Convection (U&L)
- Color TFT Control Panel (U)
- Halogen Lights (U&L)
- AutoProbe (U)

U=Upper; L=Lower

### 30" Benchmark® Series

Standard Opening Stainless Steel – HBLP651UC  
SideOpening Left Swing Stainless Steel – HBLP651LUC  
SideOpening Right Swing Stainless Steel – HBLP651RUC

General Properties	
Cooking modes – upper cavity	Bake, Variable Broil (Hi & Low), Roast, Warm, Sabbath, Proof Dough, Convection Bake, Convection Broil, Convection Roast, Pizza, Multi Rack Genuine European Convection, Convection Conversion, AutoProbe, Fast Preheat, EcoChef, Speed Convection (Frozen Foods)
Cooking modes – lower cavity	Identical to upper cavity (exception: lower cavity does not feature temperature probe and EcoChef)
Cleaning type – upper cavity	Self clean
Cleaning type – lower cavity	Self clean
Telescopic rack	1
Illumination type – upper / lower cavity	Halogen
Interior lights	2 upper, 2 lower
Oven Performance	
Bake / broil element wattages – upper cavity	2,400 / 3,800 W
Convection element wattages – upper cavity	2,000 W
Bake / broil element wattages – lower cavity	2,400 / 3,800 W
Convection element wattages – lower cavity	2,000 W
Technical Details	
Watts (W)	9,125 W
Circuit breaker (A)	40 A
Volts (V)	240 / 208 V
Frequency (Hz)	60 Hz
Power cord length (in)	50"
Plug type	Fixed connection, no plug
Energy source	Electric
Dimensions & Weight	
Overall appliance dimensions (HxWxD) (in)	52 1/16" x 29 3/4" x 24 1/2"
Required cutout size – standard (HxWxD) (in)	49 3/4" – 51 1/2" x 28 1/2" x 23 1/2"
Required cutout size – flush (HxWxD) (in)	52 3/16" x 30" x 24 1/2"
Oven cavity size (cu. ft.)	4.6 cu. ft.
Overall oven interior dimensions (HxWxD) (in)	17 13/16" x 24 1/8" x 18"
Usable oven interior dimensions (HxWxD) (in)	12 5/16" x 23 1/4" x 15 1/4"
Net weight (lbs)	261 lbs
Accessories – Included	
Included	Upper oven: 1 telescopic and 2 standard oven racks, temperature probe, broiler pan; Lower oven: 3 standard oven racks

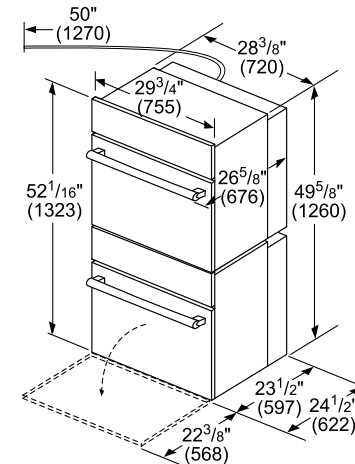
### Optional Accessories



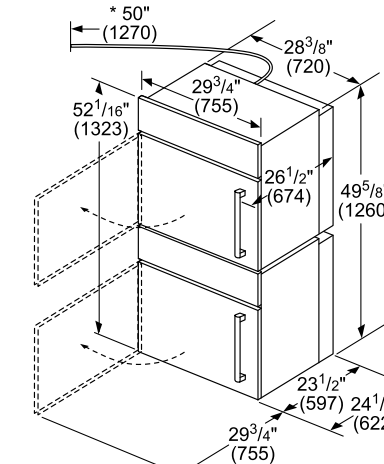
HEZTR301  
30" Telescopic Rack

# Benchmark® Series Double Ovens

## 30" Double Wall Oven

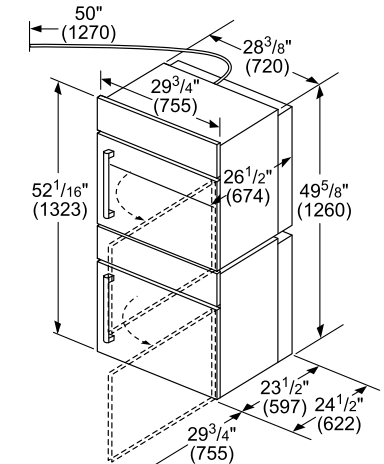


## 30" SideOpening Left Swing Door



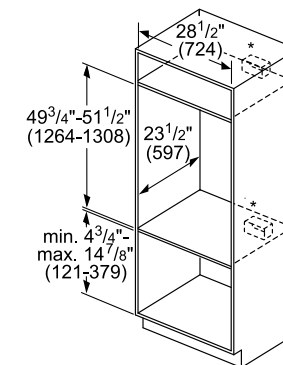
\*\* Allow 3/4" (19 mm) gap to nearest cabinet face for door swing on SideOpening models

## 30" SideOpening Right Swing Door



\*\* Allow 3/4" (19 mm) gap to nearest cabinet face for door swing on SideOpening models

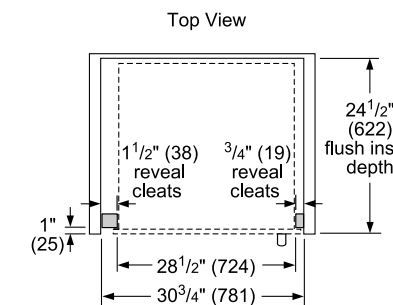
## All 30" Double Wall Ovens



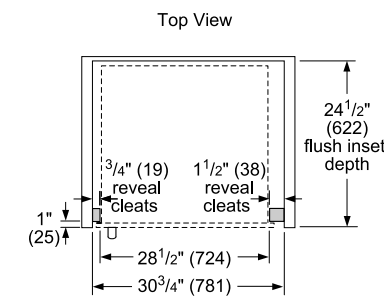
\* Junction box may be installed above, below, or to the left or right of the unit within range of the power conduit.

measurements in inches (mm)

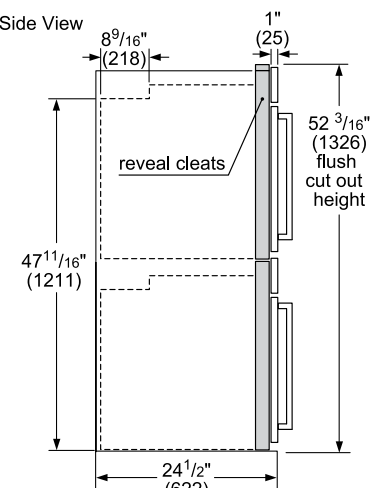
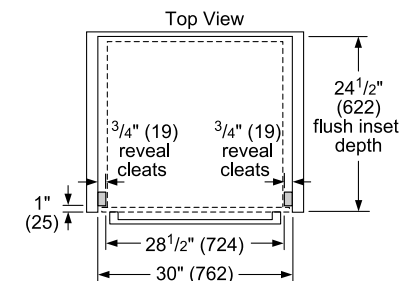
## 30" SideOpening Left Swing Door Flush Installation



## 30" SideOpening Right Swing Door Flush Installation



## 30" Double Wall Oven Flush Installation



Measurements in inches (mm)

NOTE: Bosch double wall ovens can be installed in combination with other Bosch cooking products. See page 76 for details.



# 500 / 800 Series Double Ovens



**30" 500 Series**  
HBL5551UC

- 4.6 cu. ft.
- Thermal Cooking (U&L)
- Stainless Steel Knobs



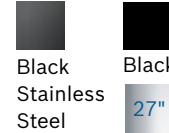
**500 Series**  
30" HBL5651UC  
27" HBN5651UC

- 4.6 cu. ft. (27" is 3.9 cu. ft.)
- European Convection (U), Thermal Cooking (L)



**800 Series**  
30" HBL8651UC  
30" HBL8642UC  
30" HBL8661UC  
27" HBN8651UC

- 4.6 cu. ft. (27" is 3.9 cu. ft.)
- European Convection (U), Thermal Cooking (L)
- QuietClose® Door (U&L)
- Extension Rack (U)
- Temperature Probe (U)



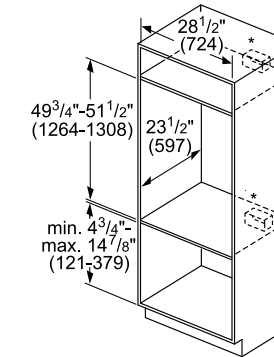
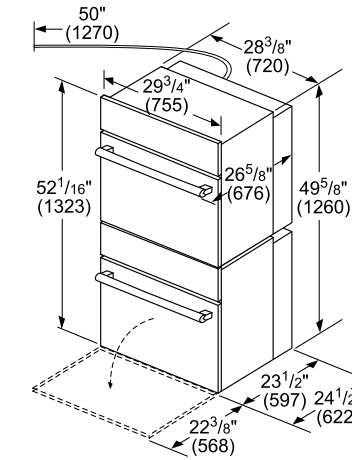
† Indicates a step-up feature  
U=Upper; L=Lower

	500 Series	500 Series	800 Series
	30" Stainless Steel – HBL5551UC	30" Stainless Steel – HBL5651UC 27" Stainless Steel – HBN5651UC	30" Stainless Steel – HBL8651UC 30" Black Stainless Steel – HBL8642UC 30" Black – HBL8661UC 27" Stainless Steel – HBN8651UC

General Properties			
Cooking modes – upper cavity	Bake, Variable Broil (Hi & Low), Roast, Warm, Sabbath	Bake, Variable Broil (Hi & Low), Roast, Warm, Sabbath, Proof Dough, Convection Bake, Convection Broil, Convection Roast, Pizza, Multi Rack Genuine European Convection, Convection Conversion	Bake, Variable Broil (Hi & Low), Roast, Warm, Sabbath, Proof Dough, Convection Bake, Convection Broil, Convection Roast, Pizza, Multi Rack Genuine European Convection, Convection Conversion, Temperature Probe, Fast Preheat
Cooking modes – lower cavity	Bake, Variable Broil (Hi & Low), Roast, Warm, Sabbath	Bake, Variable Broil (Hi & Low), Roast, Warm, Sabbath	Bake, Variable Broil (Hi & Low), Roast, Warm, Sabbath
Cleaning type – upper & lower cavity	Self clean	Self clean	Self clean
Telescopic rack	0	0	1
Illumination type – upper & lower cavity	Halogen	30" Halogen / 27" Incandescent	30" Halogen / 27" Incandescent
Interior lights – upper cavity	1	30": 1; 27": 2	2
Interior lights – lower cavity	1	30": 1; 27": 2	30": 1; 27": 2
Oven Performance			
Bake / Broil element wattages – upper & lower cavity	2,400 / 3,800 W	2,400 / 3,800 W	2,400 / 3,800 W
Convection element wattages – upper cavity	N/A	2,000 W	2,000 W
Technical Details			
Watts (W)	7,805 W	30": 8,455 W; 27": 8,535 W	30": 8,495 W; 27": 8,535 W
Volts (V), Frequency (Hz), Circuit breaker (A)	240 / 208 V, 60 Hz, 40 A	240 / 208 V, 60 Hz, 40 A	240 / 208 V, 60 Hz, 40 A
Power cord length (in); Plug type	50"; Fixed connection, no plug	50"; Fixed connection, no plug	50"; Fixed connection, no plug
Energy source	Electric	Electric	Electric
Dimensions & Weight			
Overall appliance dimensions (HxWxD) (in)	52 1/16" x 29 3/4" x 24 1/2"	30": 52 1/16" x 29 3/4" x 24 1/2" 27": 52 1/16" x 26 3/4" x 24 1/2"	30": 52 1/16" x 29 3/4" x 24 1/2" 27": 52 1/16" x 26 3/4" x 24 1/2"
Required cutout size – standard (HxWxD) (in)	49 3/4" – 51 1/2" x 28 1/2" x 23 1/2"	30": 49 3/4"–51 1/2" x 28 1/2" x 23 1/2" 27": 49 3/4"–51 1/2" x 25 1/2" x 23 1/2"	30": 49 3/4"–51 1/2" x 28 1/2" x 23 1/2" 27": 49 3/4"–51 1/2" x 25 1/2" x 23 1/2"
Required cutout size – flush (HxWxD) (in)	52 3/16" x 30" x 24 1/2"	30": 52 3/16" x 30" x 24 1/2" 27": 52 3/16" x 27" x 24 1/2"	30": 52 3/16" x 30" x 24 1/2" 27": 52 3/16" x 27" x 24 1/2"
Oven cavity size (cu. ft.)	4.6 cu. ft.	30": 4.6 cu. ft.; 27": 3.9 cu. ft.	30": 4.6 cu. ft.; 27": 3.9 cu. ft.
Overall oven interior dimensions (HxWxD) (in)	17 13/16" x 24 1/8" x 18"	30": 17 13/16" x 24 1/8" x 18" 27": 17 13/16" x 21 1/16" x 18"	30": 17 13/16" x 24 1/8" x 18" 27": 17 13/16" x 21 1/16" x 18"
Usable oven interior dimensions (HxWxD) (in)	12 5/16" x 23 1/4" x 15 1/4"	30": 12 5/16" x 23 1/4" x 15 1/4" 27": 12 5/16" x 20 1/4" x 15 1/4"	30": 12 5/16" x 23 1/4" x 15 1/4" 27": 12 5/16" x 20 1/4" x 15 1/4"
Net weight (lbs)	261 lbs	30": 261 lbs; 27": 243 lbs	30": 261 lbs; 27": 243 lbs

# 500 / 800 Series Double Ovens

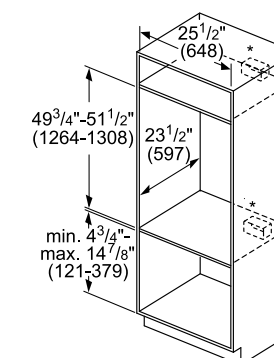
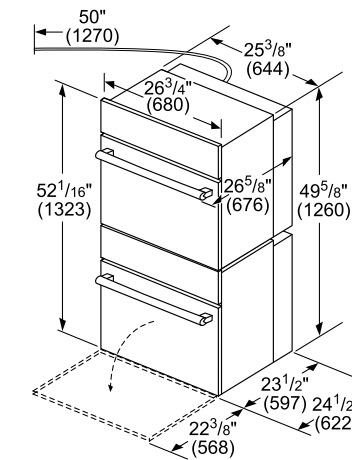
## 30" Double Wall Oven



\* Junction box may be installed above, below, or to the left or right of the unit within range of the power conduit.

measurements in inches (mm)

## 27" Double Wall Oven

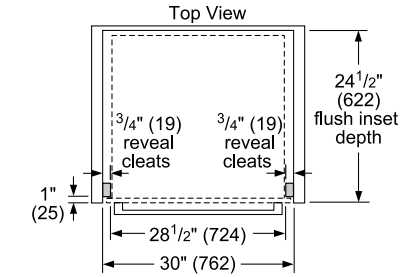


\* Junction box may be installed above, below, or to the left or right of the unit within range of the power conduit.

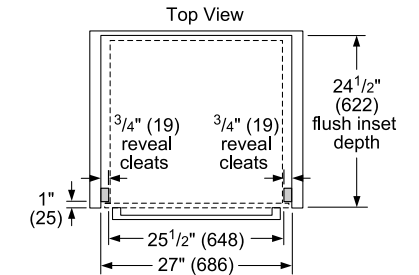
measurements in inches (mm)

**NOTE:** Bosch double wall ovens can be installed in combination with other Bosch cooking products. See page 80 for details.

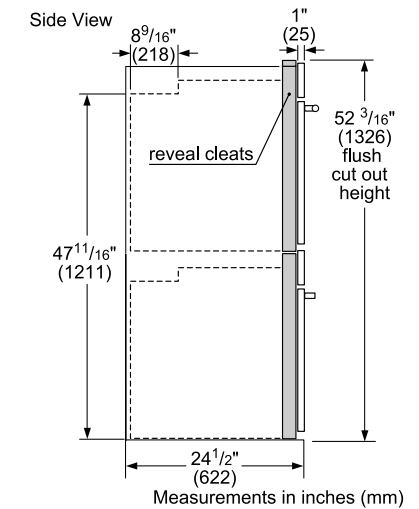
## 30" Double Wall Oven Flush Install



## 27" Single Wall Oven Flush Install



## Double Wall Oven Flush Installation



	500 Series	500 Series	800 Series
	30" Stainless Steel – HBL5551UC	30" Stainless Steel – HBL5651UC 27" Stainless Steel – HBN5651UC	30" Stainless Steel – HBL8651UC 30" Black Stainless Steel – HBL8642UC 30" Black – HBL8661UC 27" Stainless Steel – HBN8651UC

Accessories – Included		
Upper oven:	2 standard oven racks	2 standard oven racks
Lower oven:	2 standard oven racks	2 standard oven racks
		Upper oven: 1 telescopic and 2 standard oven racks, temperature probe; Lower oven: 2 standard racks

## Optional Accessories for 30" Double Wall Ovens

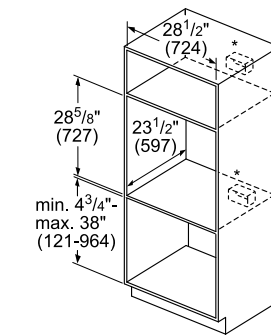


# Guide to Installing Bosch Wall Ovens with Other Products



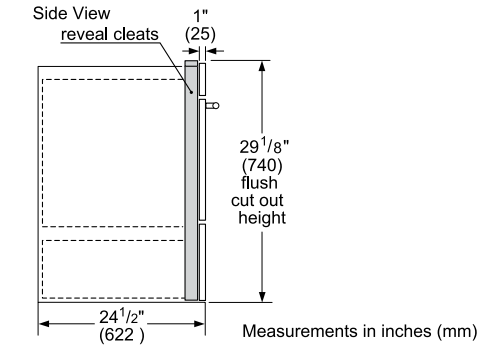
## Benchmark® Series Steam Convection Oven Installed in combination with other products.

### Standard Installation 30" Steam Convection Oven over Storage or Warming Drawer

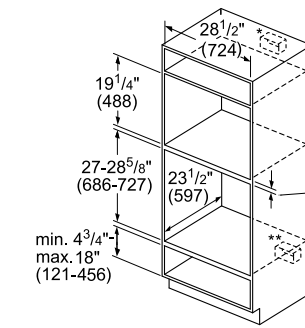


\* For installation into a wall cabinet, the receptacle may be installed above, below, or to the left or right of the unit within range of the power cord.

### Flush Installation Steam Convection Oven over Storage or Warming Drawer



### Standard Installation 30" Steam Convection Oven over Single Oven\*\*\*

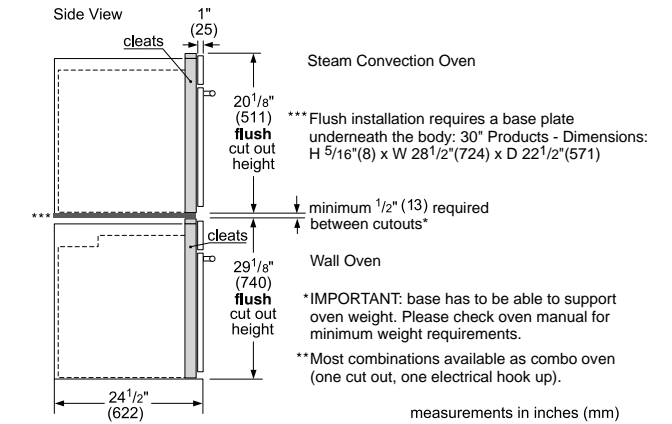


\* Junction box may be located above or next to the unit within the reach of the power cord.  
 \*\* Junction box may be located below (depending on space) or next to the unit within the reach of the power cord.  
 \*\*\* Most combinations available as combo oven (one cut out, one electrical hook up).  
 Minimum dimension between cut outs:  
 • 1" (25mm) for wall oven cut out of 28 5/8"  
 • 2 5/8" (67mm) for wall oven cut out of 27"

measurements in inches (mm)

NOTE: This configuration is available as a combo oven (one cut out, one electrical hook up) – HSLP751UC

### Flush Installation Steam Convection Oven over Single Oven\*\*



Steam Convection Oven

\*\*\* Flush installation requires a base plate underneath the body: 30" Products - Dimensions: H 5/16"(8) x W 28 1/2"(724) x D 22 1/2"(571)

minimum 1/2" (13) required between cutouts\*

Wall Oven

\* IMPORTANT: base has to be able to support oven weight. Please check oven manual for minimum weight requirements.

\*\* Most combinations available as combo oven (one cut out, one electrical hook up).

measurements in inches (mm)

NOTE: This configuration available as a combo oven. See Note at left for details.

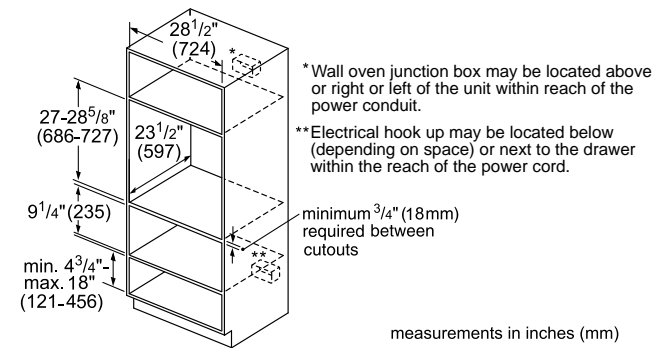


# Benchmark® Series Single Wall Ovens

Installed in combination with other products.

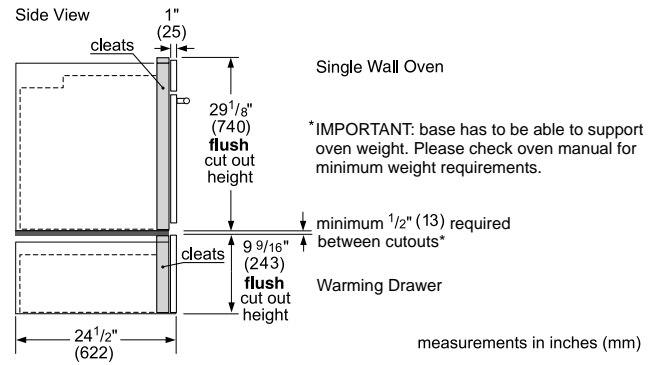
## Standard Installation

30" Single Oven over Storage or Warming Drawer



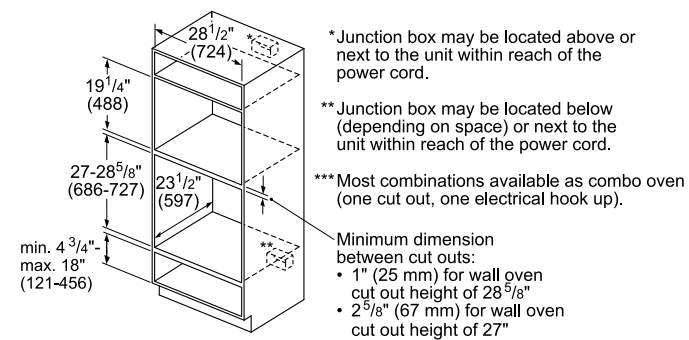
## Flush Installation

Single Oven over Storage or Warming Drawer



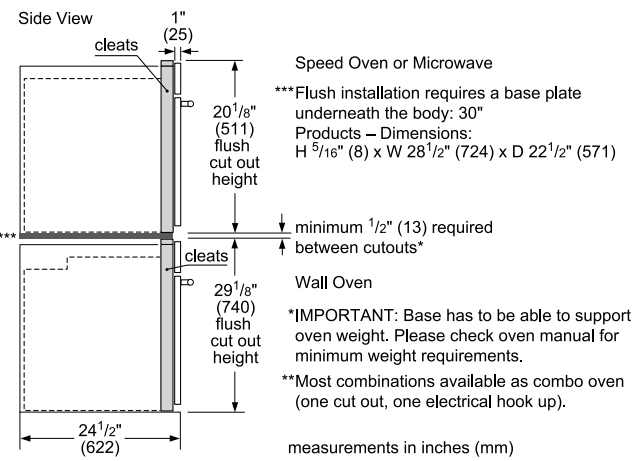
## Standard Installation

30" Speed Oven or Microwave over Single Oven\*\*\*



## Flush Installation

Speed Oven or Microwave over 30" Single Oven\*\*\*



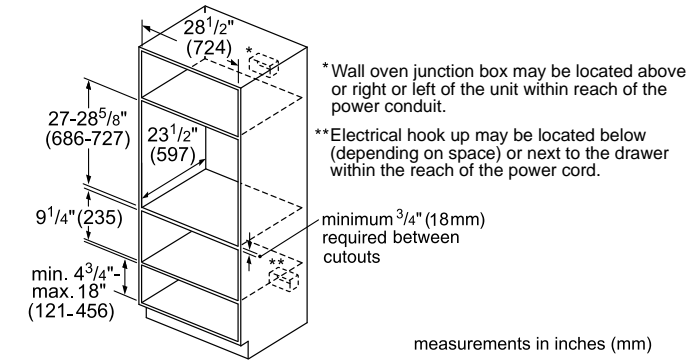
# Benchmark® Series Single Wall Ovens

## Side Opening Door

Installed in combination with other products.

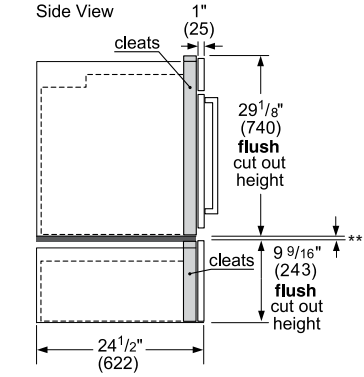
## Standard Installation

30" Single Oven over Storage or Warming Drawer



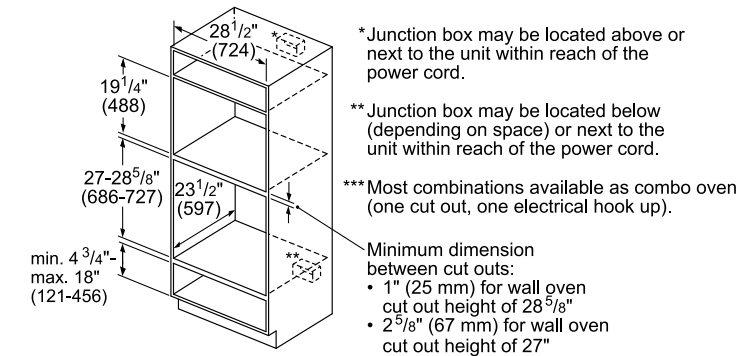
## Flush Installation

Single Oven over Storage or Warming Drawer



## Standard Installation

30" Speed Oven or Microwave over Single Oven\*\*\*



\*IMPORTANT: base has to be able to support oven weight. Please check oven manual for minimum weight requirements.

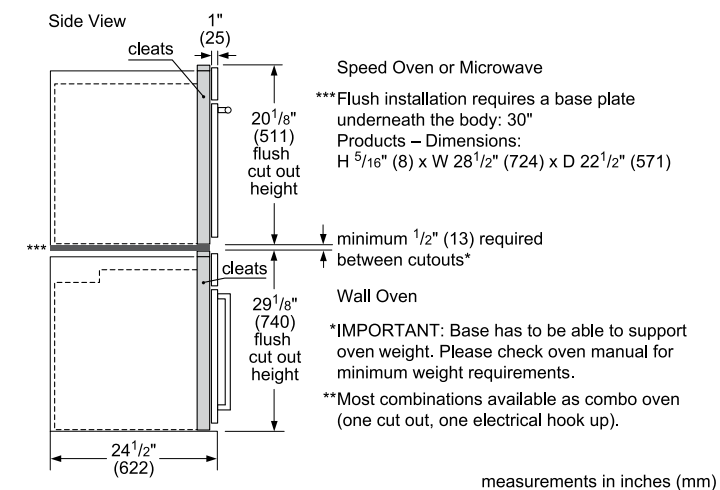
\*\* minimum 1/2" (13) required between cutouts\*

Warming Drawer

measurements in inches (mm)

## Flush Installation

Speed Oven or Microwave over 30" Single Oven\*\*

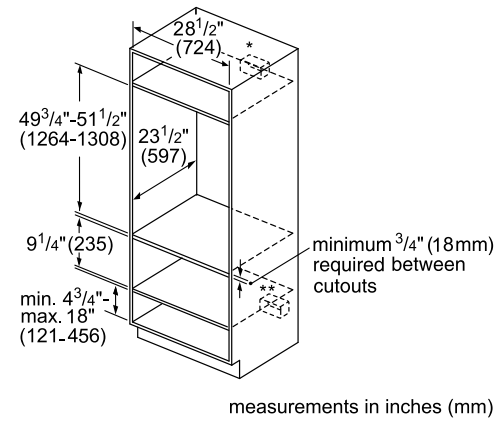


# Benchmark® Series Double Wall Ovens

Installed in combination with other products.

## Standard Installation

30" Double Oven over Storage or Warming Drawer

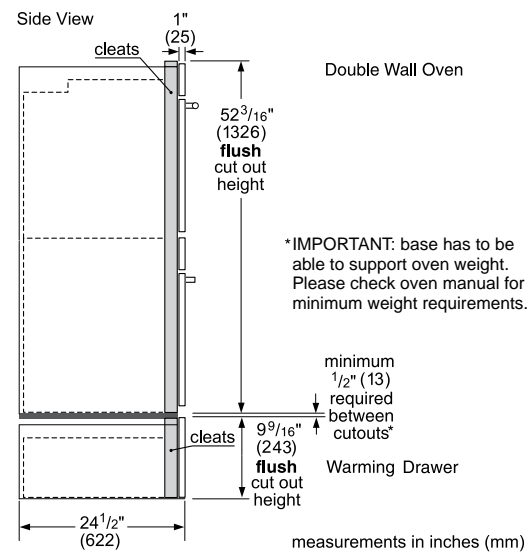


\*Wall oven junction box may be located above or right or left of the unit within reach of the power conduit.

\*\*Electrical hook up may be located below (depending on space) or next to the drawer within the reach of the power cord.

## Flush Installation

Double Oven over Storage or Warming Drawer

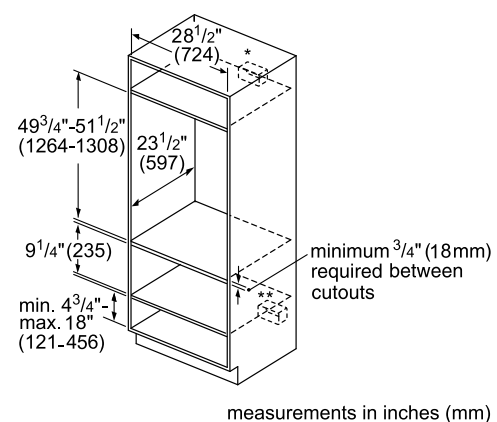


# Benchmark® Series Double Wall Ovens SideOpening Door

Installed in combination with other products.

## Standard Installation

30" Double Oven over Storage or Warming Drawer

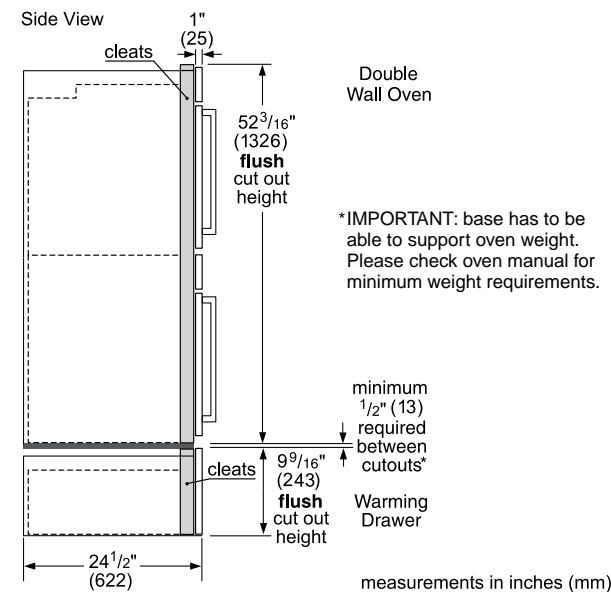


\*Wall oven junction box may be located above or right or left of the unit within reach of the power conduit.

\*\*Electrical hook up may be located below (depending on space) or next to the drawer within the reach of the power cord.

## Flush Installation

Double Oven over Storage or Warming Drawer

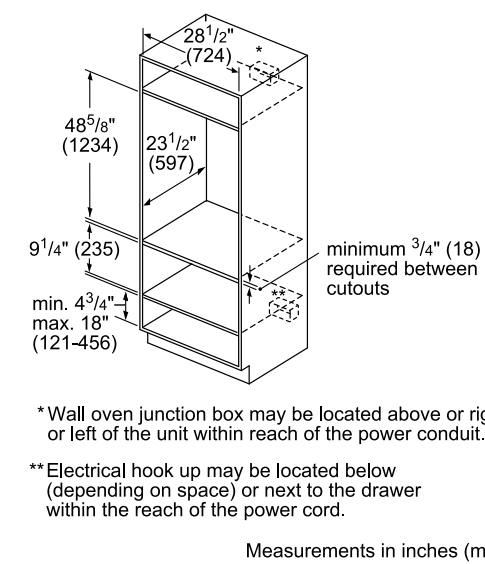


# Benchmark® Series Combination Ovens

Installed in combination with other products.

## Standard Installation

Combination Oven over Storage or Warming Drawer

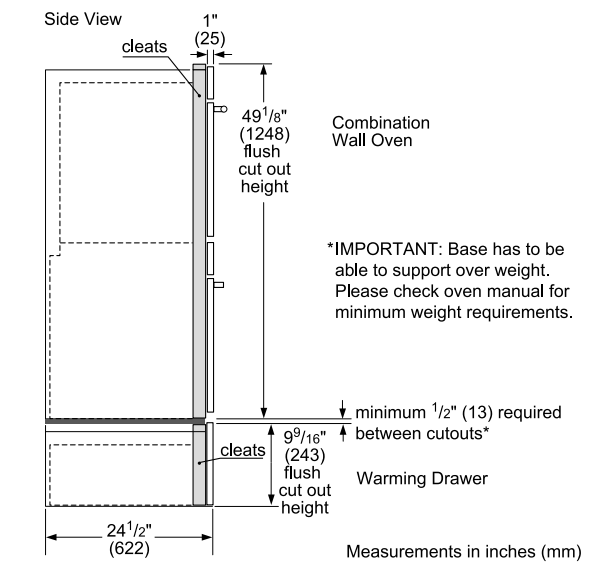


\*Wall oven junction box may be located above or right or left of the unit within reach of the power conduit.

\*\*Electrical hook up may be located below (depending on space) or next to the drawer within the reach of the power cord.

## Flush Installation

Combination Oven over Storage or Warming Drawer

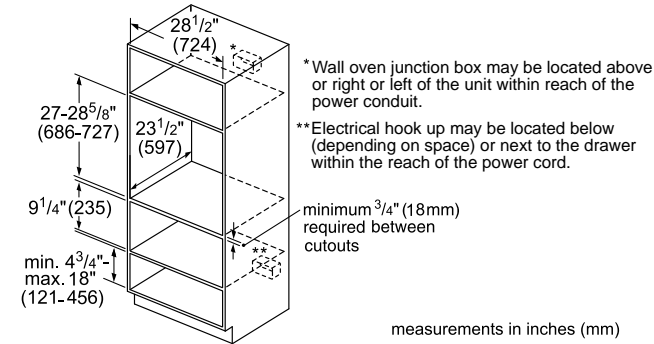


# 500 / 800 Series 30" Single Wall Ovens

Installed in combination with other products.

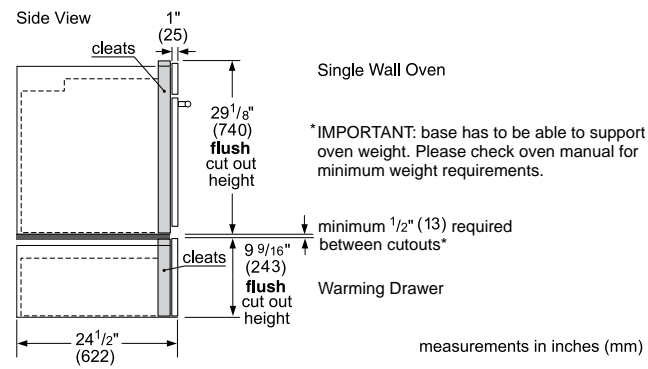
## Standard Installation

30" Single Oven over Storage or Warming Drawer



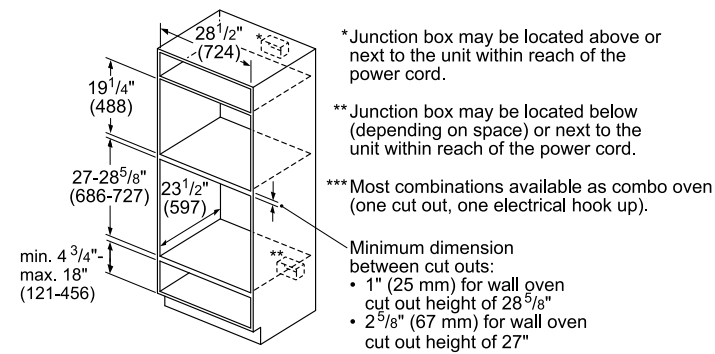
## Flush Installation

Single Oven over Storage or Warming Drawer



## Standard Installation

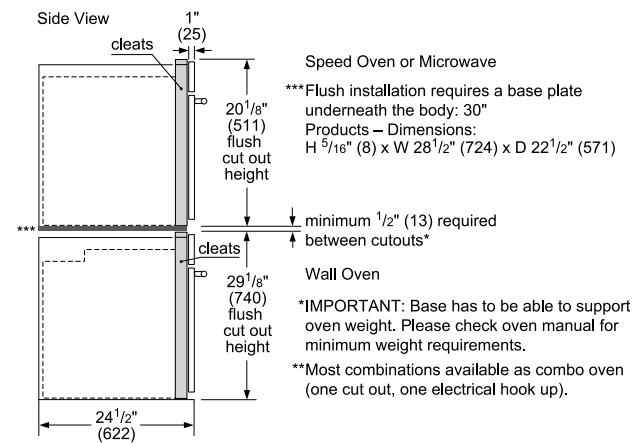
30" Speed Oven or Microwave over Single Oven\*\*\*



NOTE: This configuration is available as a combo oven (one cut out, one electrical hook up) – HBL57M52UC (500 series), HBL8753U, HBL8743UC and HBL87M53UC (800 series)

## Flush Installation

Speed Oven or Microwave over 30" Single Oven\*\*



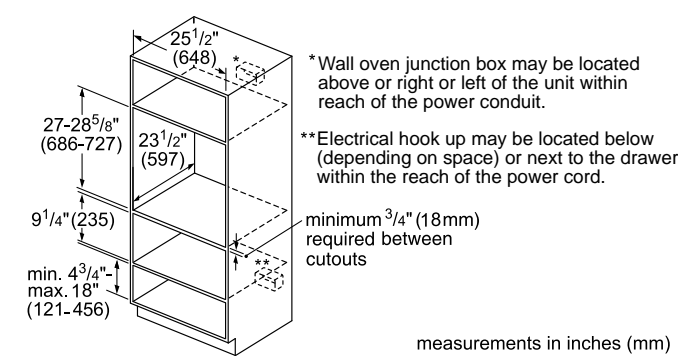
NOTE: This configuration available as a combo oven. See Note at left for details.

# 500 / 800 Series 27" Single Wall Ovens

Installed in combination with other products.

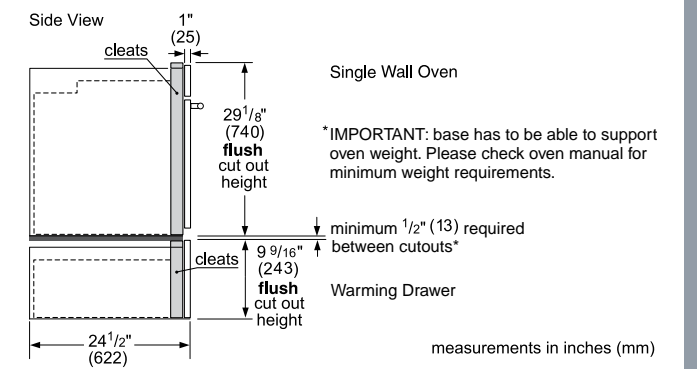
## Standard Installation

27" Single Oven over Warming Drawer



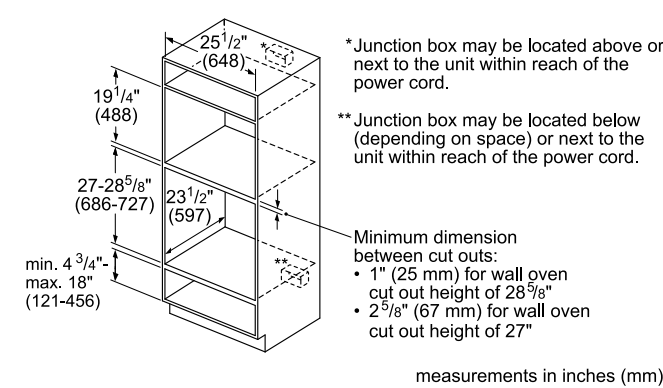
## Flush Installation

Single Oven over Warming Drawer



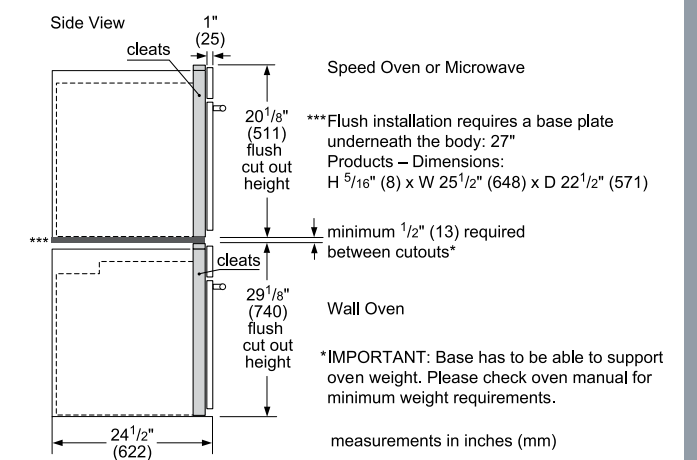
## Standard Installation

27" Speed Oven or Microwave over Single Oven



## Flush Installation

Speed Oven or Microwave over 27" Single Oven



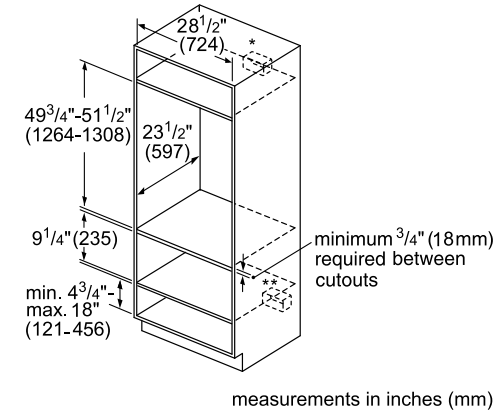


## 500 / 800 Series 30" Double Wall Ovens

Installed in combination with other products.

### Standard Installation

30" Double Oven over Storage or Warming Drawer

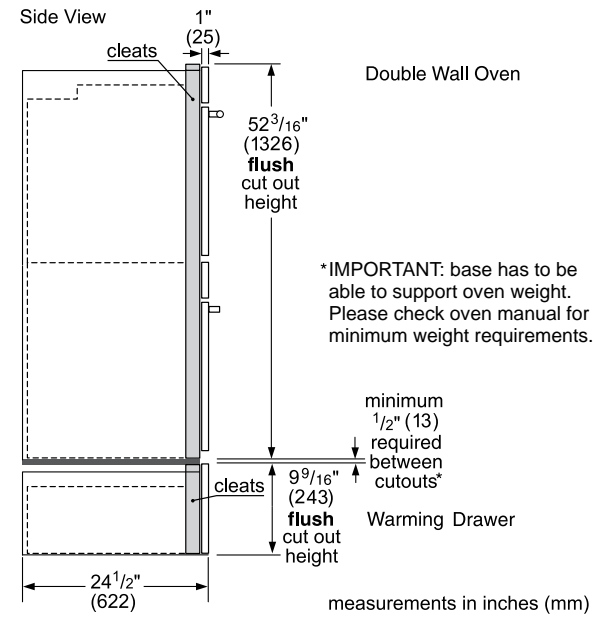


\*Wall oven junction box may be located above or right or left of the unit within reach of the power conduit.

\*\*Electrical hook up may be located below (depending on space) or next to the drawer within the reach of the power cord.

### Flush Installation

Double Oven over Storage or Warming Drawer



Double Wall Oven

\*IMPORTANT: base has to be able to support oven weight. Please check oven manual for minimum weight requirements.

minimum 1/2" (13) required between cutouts\*

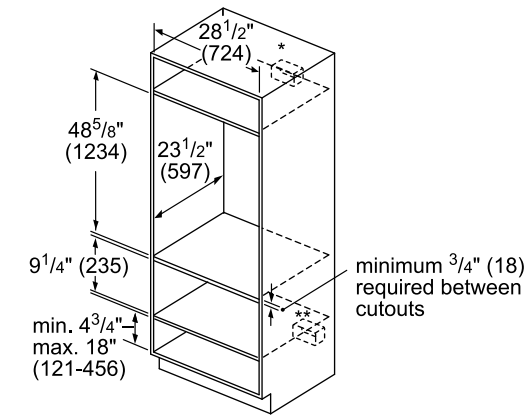
Warming Drawer

## 500 / 800 Speed Combination Ovens

Installed in combination with other products.

### Standard Installation

Combination Oven over Storage or Warming Drawer

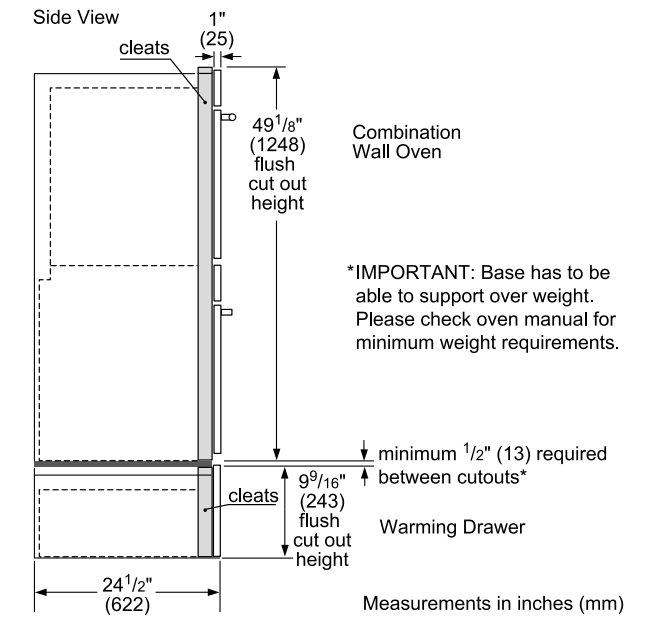


\*Wall oven junction box may be located above or right or left of the unit within reach of the power conduit.

\*\*Electrical hook up may be located below (depending on space) or next to the drawer within the reach of the power cord.

### Flush Installation

Combination Oven over Storage or Warming Drawer



Combination Wall Oven

\*IMPORTANT: Base has to be able to support over weight. Please check oven manual for minimum weight requirements.

minimum 1/2" (13) required between cutouts\*

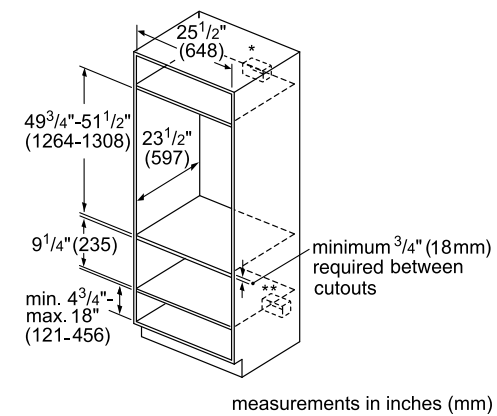
Warming Drawer

## 500 / 800 Series 27" Double Wall Ovens

Installed in combination with other products.

### Standard Installation

27" Double Oven over Warming Drawer

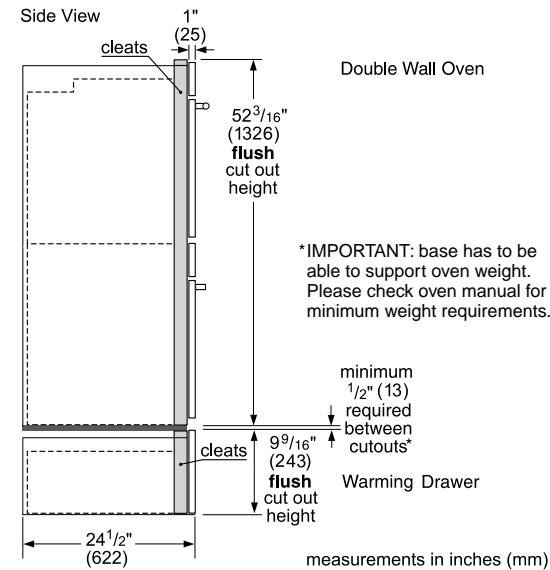


\*Wall oven junction box may be located above or right or left of the unit within reach of the power conduit.

\*\*Electrical hook up may be located below (depending on space) or next to the drawer within the reach of the power cord.

### Flush Installation

Double Oven over Warming Drawer



Double Wall Oven

\*IMPORTANT: base has to be able to support oven weight. Please check oven manual for minimum weight requirements.

minimum 1/2" (13) required between cutouts\*

Warming Drawer



# Bosch Cooktop Over Built-In Oven Approved Combination Guide

The following **Ovens, Cooktops and Drawers** are approved to be installed in combination and the installation has been certified by CSA.

Built-in ovens		Cooktops		
Conventional ovens (1)	Steam ovens	Induction	Electric	Gas (1) *
HBL5351UC	HSLP451UC	NIT5068UC	NET8068UC	NGM8046UC
HBL5451UC		NIT5668UC, NIT5469UC	NET8068SUC	NGM5656UC
HBL8443UC		NIT8068UC, NIT8068SUC	NET8668UC	NGMP656UC
HBL8453UC		NIT8668UC, NIT8668SUC	NET8668SUC	NGM8656UC
HBL8451UC		NITP068UC, NITP068SUC	NETP068SUC	NGM8646UC
HBL8463UC		NITP668UC, NITP668SUC	NETP668SUC	NGM5656UC
HBL8461UC		NIT8069UC, NIT8069SUC	NEM5066UC	NGMP056UC
HBL8442UC		NIT8669UC, NIT8669SUC	NEM5666UC	NGM8056UC
HBLP451UC		NITP069UC, NITP069SUC		Gas (2) *
HBLP451LUC		NITP669UC, NITP669SUC		Gas (3) *
HBLP451RUC				Gas (3) *
HBN5451UC				NGMP077UC
Conventional ovens (2)				NGMP677UC
HBE5451UC				NGM8657UC
Conventional ovens (3)				NGM8057UC
HBE5452UC				

The following **Ovens, Cooktops and Drawers** are approved by BSH Home Appliances Corporation to be installed in combination. These products, identified in the table below, may be installed in combination. The suitability of the combination has not been evaluated by CSA.

Built-in ovens		Cooktops		
Conventional ovens (2)	Speed oven (1)	Induction (1)	Electric (1)	Gas (1) *
HBE5453UC	HMCP0252UC	NIT5068UC	NET8068UC	NGM8046UC
Built-In microwave	HMC80242UC	NIT5668UC, NIT5469UC	NET8068SUC	NGM5656UC
HMB57152UC	HMC80252UC	NIT8068UC, NIT8068SUC	NET8668UC	NGMP656UC
HMB50162UC	HMC87152UC	NIT8668UC, NIT8668SUC	NET8668SUC	NGM8656UC
HMB50152UC	HMC80152UC	NITP068UC, NITP068SUC	NETP068SUC	NGM8646UC
Storage drawer	Speed oven (2)	NITP668UC, NITP668SUC	NETP668SUC	NGM5656UC
HSD5051UC	HMC54151UC	NIT8069UC, NIT8069SUC	NEM5066UC	NGMP056UC
Drawer microwave	HMC54152UC	NIT8669UC, NIT8669SUC	NEM5666UC	NGM8056UC
HMD8053UC		NITP069UC, NITP069SUC		Gas (2) *
HMD8451UC		NITP669UC, NITP669SUC		NGM5456UC
Warming drawers				Gas (3) *
HWD5051UC				NGMP077UC
HWD5751UC				NGMP677UC
				NGM8657UC
				NGM8057UC

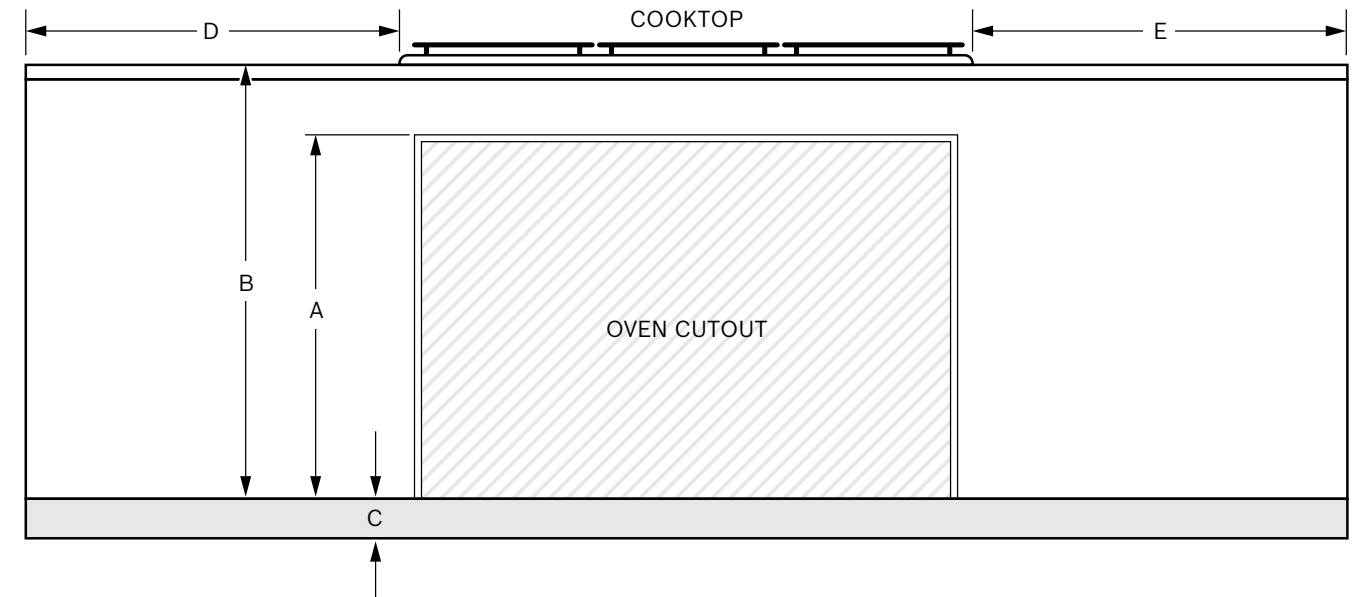
\*Gas cooktops may require a 3/8" street elbow (not provided) at the regulator outlet for installation above built-in oven.

**Cooktops** that are not listed above must be approved under local codes and/or by the local authority having jurisdiction. **Please note:** For the latest updates to the approved oven/cooktop combination refer to the website listed in your appliance's installation instructions.

# Bosch Cooktop Over Built-In Oven Combination Installation

Refer to the product installation guide for all other measurements.

Oven installation requirements				Cooktop installation requirements (wall spacing)			
When installing an oven or oven with a drawer in combination with a cooktop, a minimum distance between the cabinet floor and countertop (B) is required. Reference the table for dimensions. Refer to the oven installation guide for all other measurements.							
Oven type	A Inches (mm)	B min. Inches (mm)	C max. Inches (mm)	Gas cooktop (1) min. Inches (mm)	Gas cooktop (2) min. Inches (mm)	Gas cooktop (3) min. Inches (mm)	Electric cooktop Induction cooktop
Conventional oven (1)	28 1/4 (718)	31 1/4 (794)	4 3/4 (121)	D: 24 (610) E: 24 (610)	D: 3 (76) E: 4 (102)	D: 24 (610) E: 24 (610)	Reference Product Installation Instructions
Conventional oven (2)	23 (584)	27 3/4 (705)	8 1/4 (210)	D: 24 (610) E: 24 (610)	D: 3 (76) E: 4 (102)	D: 24 (610) E: 24 (610)	Reference Product Installation Instructions
Conventional oven (3)	23 1/16 (585)	27 13/16 (707)	8 3/16 (208)	D: 24 (610) E: 24 (610)	D: 3 (76) E: 4 (102)	D: 24 (610) E: 24 (610)	Reference Product Installation Instructions
Steam oven	19 1/4 (488)	23 3/8 (594)	12 5/8 (321)	D: 24 (610) E: 24 (610)	D: 3 (76) E: 4 (102)	D: 24 (610) E: 24 (610)	Reference Product Installation Instructions
Steam oven with 4" storage drawer							
Speed oven (2)	17 3/4 (450)	22 1/2 (572)	13 1/2 (343)	D: 24 (610) E: 24 (610)	D: 3 (76) E: 4 (102)		Reference Product Installation Instructions
Microwave speed oven (1)	19 1/4 (488)	24 (609)	12 (306)	D: 24 (610) E: 24 (610)	D: 3 (76) E: 4 (102)		Reference Product Installation Instructions
Microwave speed oven (1) with warming drawer	28 1/4 (718)	31 1/4 (794)	4 3/4 (121)	D: 24 (610) E: 24 (610)	D: 3 (76) E: 4 (102)		Reference Product Installation Instructions
Drawer microwave	14 13/16 (376)	20 (508)	16 (406)	D: 24 (610) E: 24 (610)	D: 3 (76) E: 4 (102)		Reference Product Installation Instructions





# Microwaves, Speed Ovens & Drawers

Bosch microwaves simplify snack and mealtime by making it easier than ever to prepare foods at the touch of a button. Built in, over-the-range, or in a discreet drawer style, Bosch microwaves have automatic sensors to remove the guesswork from cooking and reheating. Our speed ovens combine convection and microwave technology to get meals on the table faster—freeing up more time for other things. The Bosch 27" or 30" speed ovens can be combined with a warming drawer or storage drawer to align horizontally with our single wall oven. With speed, intuitive controls, large capacities, and a clean aesthetic, Bosch microwaves and speed ovens lend a trusted hand in the kitchen when fitting cooking into your busy day.



# Benchmark® Series Microwaves & Speed Ovens

include these exclusive features:



The over-the-range microwave is designed to fit **above a slide-in range**.



Our **2-in-1 microwave and convection speed oven** has 12 microwave programs and 9 SpeedChef® programs that offer faster cooking times.



The Benchmark® Series Speed Oven is **designed to fit** perfectly above a warming or storage drawer.



Triple distribution system provides more **even cooking**.



# Benchmark® Series Speed Oven



30" Benchmark® Series  
HMCP0252UC

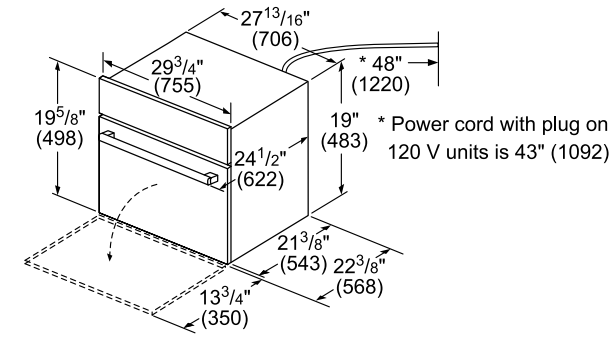
- 1.6 cu. ft.
- European Convection, Broil, Microwave
- SpeedChef® Cooking Modes Offer Faster Cooking Times
- TFT Display
- 240v, Direct Wire

**NOTE:** Bosch speed ovens can be installed in combination with other Bosch cooking products. See pages 74-75 for details.

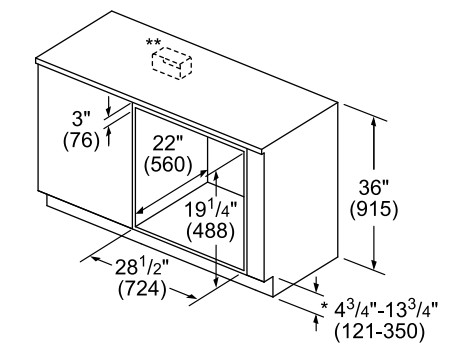
Benchmark® Series	
Stainless Steel – HMCP0252UC	
<b>General Properties</b>	
Cavity material	Stainless steel
Max. microwave power (W)	1,000 W
<b>Capacity</b>	
Cavity capacity (cu. ft.)	1.6
Turntable diameter (in.)	14 1/8"
<b>Technical Details</b>	
Watts (W)	3,840 W
Circuit breaker (A)	20 A
Volts (V)	208 – 240 V
Frequency (Hz)	60 Hz
Power cord length (in)	48"
Plug type	Fixed connection, 8" stripped wires
<b>Dimensions &amp; Weight</b>	
Overall appliance dimensions (HxWxD) (in)	19 5/8" x 29 3/4" x 22 3/8"
Required cutout size (HxWxD) (in)	Standard: 19 1/4" x 28 1/2" x 22" Flush: 20 1/8" x 30" x 23 1/2"
Oven overall interior dimensions (HxWxD) (in.)	9 7/8" x 16 1/2" x 16 1/2"
Turntable – metal max. cookware	12 3/4" dia.
Turntable – ceramic max. cookware	12 1/2" dia.
Rack – rectangular cookware max.	15" x 12"
Net weight (lbs)	92 lbs
<b>Accessories – Included</b>	
Included	Metal turntable, cooking rack, ceramic cooking tray

# Benchmark® Series Speed Oven

## Product Dimensions



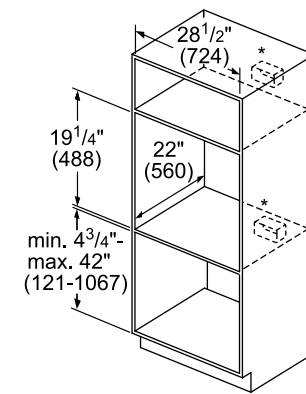
## Under-Counter Installation



\* Includes 3/4" (19) base plate

\*\* Receptacle may be located to the left or right of the unit within reach of the power cord.

## Wall Mounted Installation



\* Receptacle may be located above or beneath the unit within reach of the power cord.

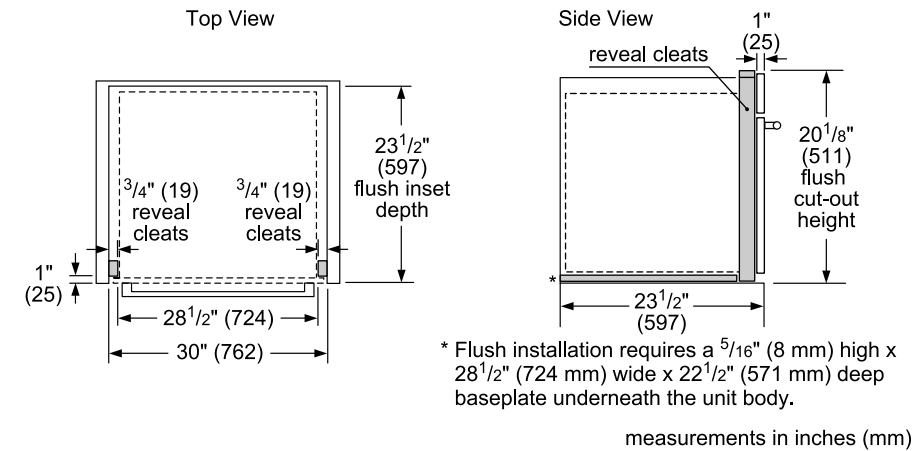
measurements in inches (mm)

## Example Flush Install



Single wall oven shown.

## Flush Installation



# 500 Series 24" Speed Oven



24" 500 Series  
HMC54151UC

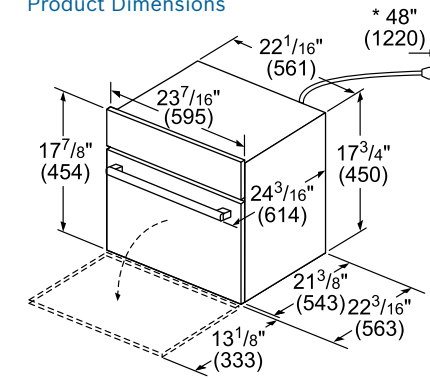
- 1.6 cu. ft.
- SpeedChef® Cooking Modes Offer Faster Cooking Times
- Installs Flush with Kitchen Cabinetry
- 2-in-1 Microwave and Convection Oven for a Variety of Cooking Options
- 120v, NEMA 5-20 – 3 Prong Plug



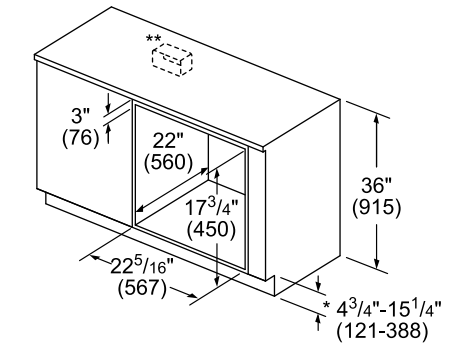
500 Series	
24" Stainless Steel – HMC54151UC	
<b>General Properties</b>	
Cavity material	Stainless steel
Max. microwave power (W)	1,000 W
<b>Capacity</b>	
Cavity capacity (cu. ft.)	1.6
Turntable diameter (in.)	14 3/16"
<b>Technical Details</b>	
Watts (W)	1,920 W
Circuit breaker (A)	20 A
Volts (V)	120 V
Frequency (Hz)	60 Hz
Power cord length (in)	48"
Plug type	NEMA 5-20 – 3 prong plug
<b>Dimensions &amp; Weight</b>	
Overall appliance dimensions (HxWxD) (in)	17 7/8" x 23 7/16" x 22 1/16"
Required cutout size (HxWxD) (in)	Standard: 17 3/4" x 22 5/16" x 22" Flush: 18 7/16" x 24" x 22 3/4"
Oven overall interior dimensions (HxWxD) (in.)	9 7/8" x 16 1/2" x 16 1/2"
Turntable – metal max. cookware	12 3/4" dia.
Turntable – ceramic max. cookware	12 1/2" dia.
Rack – rectangular cookware max.	15" x 12"
Net weight (lbs)	83 lbs
<b>Accessories – Included</b>	
Included	Metal turntable, cooking rack, ceramic cooking tray

# 500 Series 24" Speed Oven

## Product Dimensions



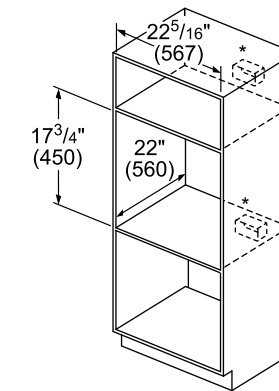
## Under-Counter Installation



\* Includes 3/4" (19) base plate

\*\* Receptacle may be located to the left or right of the unit within reach of the power cord.

## Wall Mounted Installation



\* Receptacle may be located above or beneath the unit within reach of the power cord.

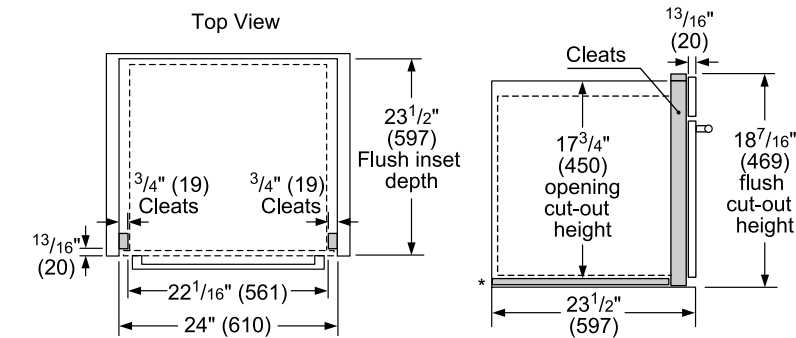
Notice:  
The cabinet base must be flat and capable of supporting a weight of at least 142 lbs (64.1 kg).

## Example Flush Install



Single wall oven shown.

## Flush Installation



\* Baseplate 5/16" (8)



# 800 Series Speed Ovens



**800 Series**  
 30" – HMC80152UC  
 27" – HMC87152UC

- 1.6 cu. ft.
- SpeedChef® Cooking Modes Offer Faster Cooking Times
- Installs Flush with Kitchen Cabinetry
- 120v, NEMA 5-20 – 3 Prong Plug



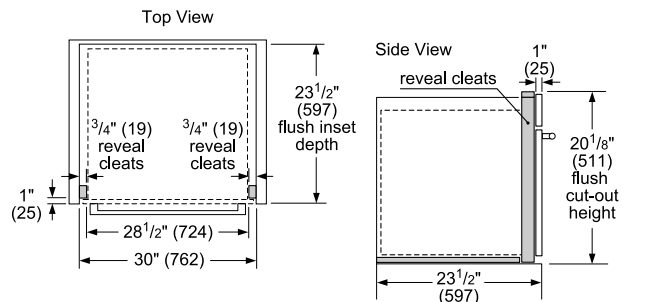
**30" 800 Series**  
 HMC80252UC (Stainless Steel)  
 HMC80242UC (Black Stainless Steel)

- 1.6 cu. ft.
- SpeedChef® Cooking Modes Offer Faster Cooking Times
- Installs Flush with Kitchen Cabinetry
- 240v, Direct Wire

Black  
 Stainless Steel

	800 Series	800 Series
	30" Stainless Steel – HMC80152UC 27" Stainless Steel – HMC87152UC	30" Stainless Steel – HMC80252UC 30" Black Stainless Steel – HMC80242UC
<b>General Properties</b>		
Cavity material	Stainless steel	Stainless steel
Max. microwave power (W)	1,000 W	1,000 W
<b>Capacity</b>		
Cavity capacity (cu. ft.)	1.6	1.6
Turntable diameter (in.)	14 1/8"	14 1/8"
<b>Technical Details</b>		
Watts (W)	1,920 W	3,840 W
Circuit breaker (A)	20 A	16 A
Volts (V)	120 V	208 – 240 V
Frequency (Hz)	60 Hz	60 Hz
Power cord length (in)	43"	48"
Plug type	NEMA 5-20 – 3 prong plug	Fixed connection, 8" stripped wires
<b>Dimensions &amp; Weight</b>		
Overall appliance dimensions (HxWxD) (in)	30": 19 5/8" x 29 3/4" x 22 3/8" 27": 19 5/8" x 26 3/4" x 22 3/8"	19 5/8" x 29 3/4" x 22 3/8"
Required cutout size (HxWxD) (in)	30" Standard: 19 1/4" x 28 1/2" x 22" 30" Flush: 20 1/8" x 30" x 23 1/2" 27" Standard: 19 1/4" x 25 1/2" x 22" 27" Flush: 20 1/8" x 27" x 23 1/2"	Standard: 19 1/4" x 28 1/2" x 22" Flush: 20 1/8" x 30" x 23 1/2"
Oven overall interior dimensions (HxWxD) (in.)	9 7/8" x 16 1/2" x 16 1/2"	9 7/8" x 16 1/2" x 16 1/2"
Turntable – metal max. cookware	12 3/4" dia.	12 3/4" dia.
Turntable – ceramic max. cookware	12 1/2" dia.	12 1/2" dia.
Rack – rectangular cookware max.	15" x 12"	15" x 12"
Net weight (lbs)	92 lbs / 87 lbs	92 lbs
<b>Accessories – Included</b>		
Included	Metal turntable, cooking rack, ceramic cooking tray	Metal turntable, cooking rack, ceramic cooking tray

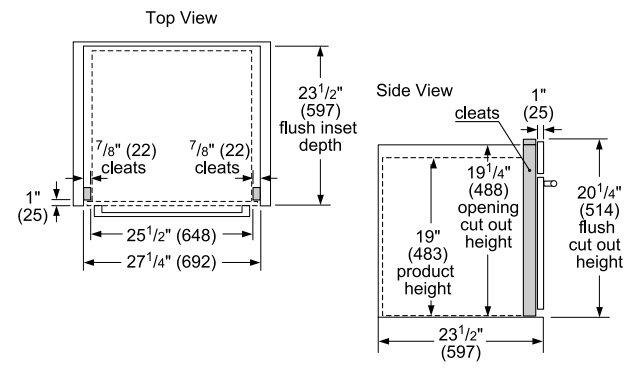
## 30" Flush Installation



\* Flush installation requires a 5/16" (8 mm) high x 28 1/2" (724 mm) wide x 22 1/2" (571 mm) deep baseplate underneath the unit body.

measurements in inches (mm)

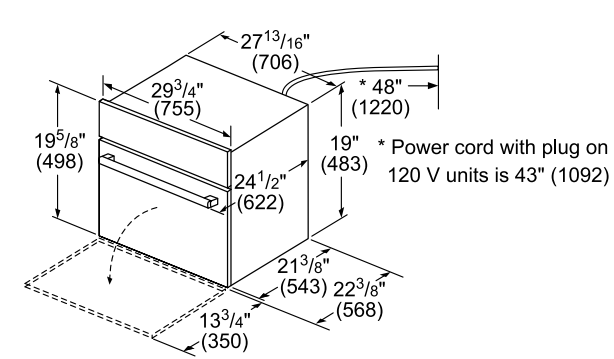
## 27" Flush Installation



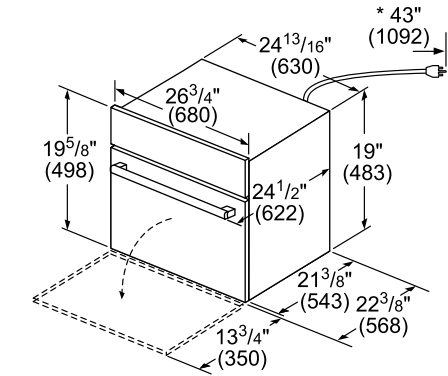
measurements in inches (mm)

# 800 Series Speed Ovens

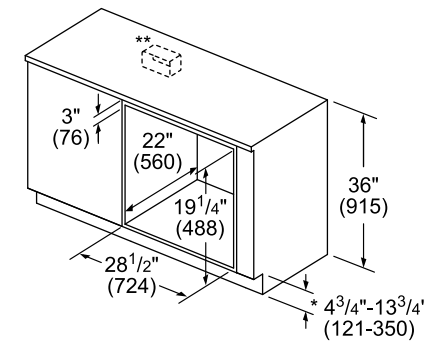
## 30" Speed Oven Dimensions



## 27" Speed Oven Dimensions



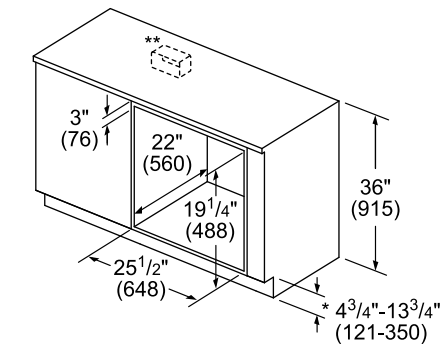
## 30" Speed Oven Under-Counter



\* Includes 3/4" (19) base plate

\*\* Receptacle may be located to the left or right of the unit within reach of the power cord.

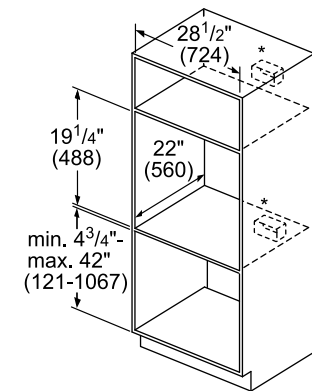
## 27" Speed Oven Under-Counter



\* Includes 3/4" (19) base plate

\*\* Receptacle may be located to the left or right of the unit within reach of the power cable.

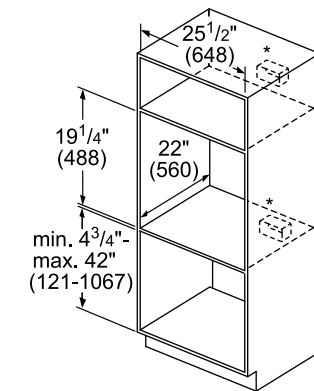
## 30" Speed Oven Wall-Mounted



\* Receptacle may be located above or beneath the unit within reach of the power cord.

measurements in inches (mm)

## 27" Speed Oven Wall-Mounted



\* Receptacle may be located above or beneath the unit within reach of the power cable.

measurements in inches (mm)

30" HMC80152UC  
 27" HMC87152UC



**NOTE:** Bosch Speed ovens can be installed in combination with other Bosch cooking products. See pages 78–79 for details. Horizontal installation of a 27" oven next to a 27" speed oven with warming drawer is possible, but the speed oven and warming drawer require either two cutouts or one cutout with a shelf support in between.



# 500 Series Storage and Warming Drawers



30" 500 Series Storage Drawer  
HSD5051UC

- 2.4 cu. ft.
- The Storage Drawer Fits 30" Racks, the Temperature Probe and Other Cooking Relevant Utensils
- A Silicone Mat Protects the Bottom of Drawer
- Installs Vertically Under Bosch Speed, Steam or Wall Oven



500 Series Warming Drawer  
30" – HWD5051UC  
27" – HWD5751UC

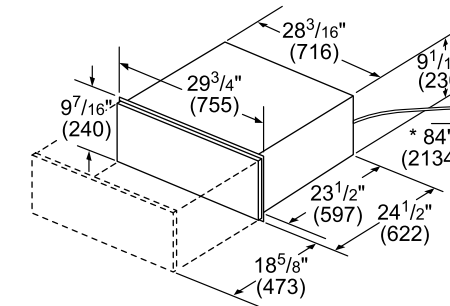
- 2.2 cu. ft. (27" is 1.9 cu. ft.)
- Warming Drawer
- 3 Settings, Timer
- 30" Installs Vertically Under Bosch Speed, Steam or Wall Oven
- 27" Installs Vertically Under Bosch 120V Speed, or Wall Oven (Separate Cut Outs Needed)

+ Indicates a step-up feature

	Storage Drawer	Warming Drawers
	30" Stainless Steel – HSD5051UC	30" Stainless Steel – HWD5051UC 27" Stainless Steel – HWD5751UC
<b>General Properties</b>		
Power levels	N/A	High, low, medium
Dough proofing mode	N/A	Yes
Temperature range	N/A	100° – 190° F
Timer 5 min. – 5 hours	N/A	Yes
Automatic shut off after 1 hour	N/A	Yes
Door opening	Push to open	Push to open
Hinges	Ball bearing hinges	Ball bearing hinges
Wattage heating element	N/A	450 W
Control type	N/A	Illuminated TouchControl
<b>Capacity</b>		
Cavity capacity (cu. ft.)	2.4 cu. ft.	30": 2.2 cu. ft. 27": 1.9 cu. ft.
<b>Technical Details</b>		
Watts (W)	N/A	450 W
Circuit breaker (A)	N/A	15 A
Volts (V)	N/A	120 V
Frequency (Hz)	N/A	60 Hz
Power cord length (in)	N/A	84"
Plug type	N/A	120V – 3 prong
<b>Dimensions &amp; Weight</b>		
Overall appliance dimensions (HxWxD) (in)	9 7/16" x 29 3/4" x 23 1/2"	30": 9 7/16" x 29 3/4" x 23 1/2" 27": 9 7/16" x 26 3/4" x 23 1/2"
Required cutout size (HxWxD) (in)	9 1/4" x 28 1/2" x 23 1/2"	30": 9 1/4" x 28 1/2" x 23 1/2" 27": 9 1/4" x 25 1/2" x 23 1/2"
Net weight (lbs)	47 lbs	30": 55 lbs 27": 50 lbs
<b>Accessories – Included</b>		
Installation brackets	Install drawer below speed or steam oven in one cut out (identical to single wall oven cut out)	30" model: Install drawer below speed or steam oven in one cut out (identical to single wall oven cut out). Products still need to be hooked up individually.
Drawer mat	Rubber mat to protect bottom of drawer	N/A

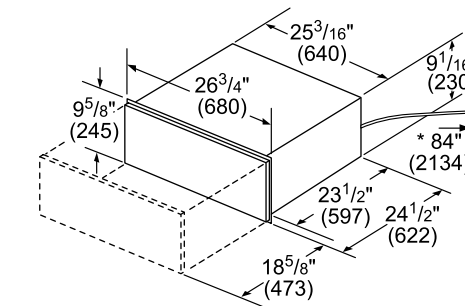
# 500 Series Storage and Warming Drawers

30" Storage / Warming Drawer Dimensions



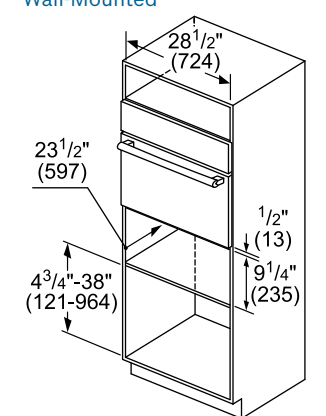
\* Power cord on warming drawer is 84" (2134 mm)

27" Warming Drawer Dimensions



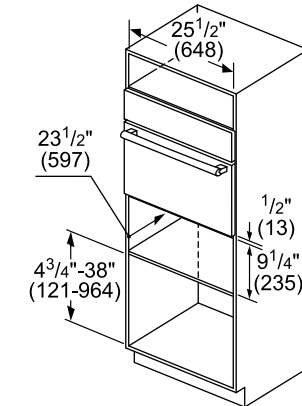
\* Power cord on warming drawer is 84" (2134 mm)

30" Storage / Warming Drawer Wall-Mounted



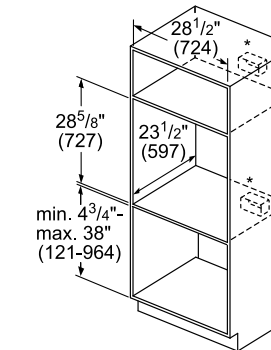
measurements in inches (mm)

27" Warming Drawer Wall-Mounted



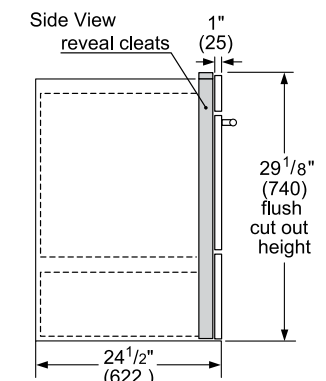
measurements in inches (mm)

30" Speed Oven Over Storage / Warming Drawer



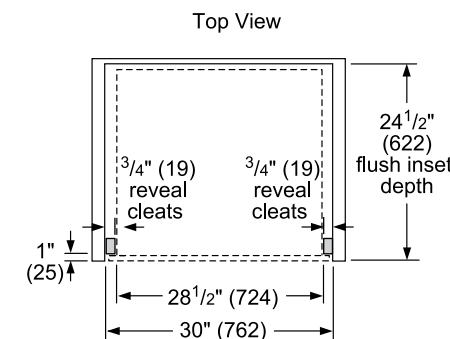
\* For installation into a wall cabinet, the receptacle may be installed above, below, or to the left or right of the unit within range of the power cord.

Speed Oven Over Storage / Warming Drawer

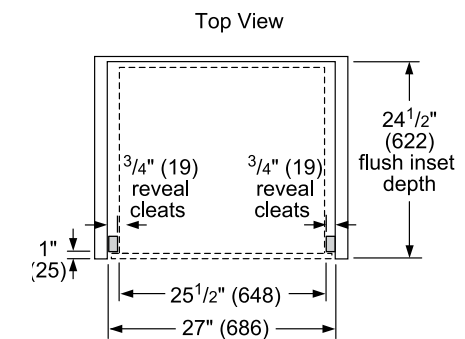


Measurements in inches (mm)

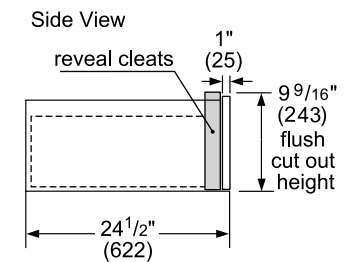
30" Flush Installation



27" Flush Installation



30" & 27" Flush Installation



**NOTE:** See pages 73–81 for planning and installation details when installing Bosch storage and warming drawers in combination with other Bosch products. Horizontal installation of a 27" oven next to a 27" speed oven with warming drawer is possible, but the speed oven and warming drawer require either two cutouts or one cutout with a shelf support in between.





# Benchmark® Series Over-the-Range Microwave



30" Benchmark® Series  
HMVP053U

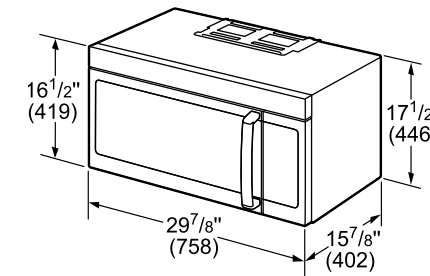
- 1.8 cu. ft.
- Triple Distribution Offers More Even Cooking
- 1,450 Watts Convection Cooking
- 1,000 Watts Microwave Cooking
- Stainless Steel Cavity

**30" Benchmark® Series**  
Stainless Steel – HMVP053U

General Properties	
Cavity material	Stainless steel
Max. microwave power (W)	1,000 W
Max. extraction rate (CFM)	385 CFM
Ducted	Yes
Ductless	Yes
Duct size	3 1/4" x 10"
Capacity	
Cavity capacity (cu. ft.)	1.8 cu. ft.
Turntable diameter (in.)	14 3/16"
Technical Details	
Watts (W)	1,450 W
Circuit breaker (A)	15 A
Volts (V)	120 V
Frequency (Hz)	60 Hz
Power cord length (in)	39"
Plug type	120V – 3 prong
Dimensions & Weight	
Overall appliance dimensions (HxWxD) (in)	16 1/2" x 29 7/8" x 15 7/8"
Required cutout size (HxWxD) (in)	17 1/2" min x 30" x 12" min – 14" max
Net weight (lbs)	54 lbs
Accessories – Included	
Included	Two level cooking rack

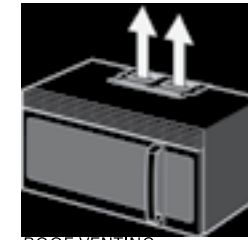
# Benchmark® Series Over-the-Range Microwave

## Product Dimensions

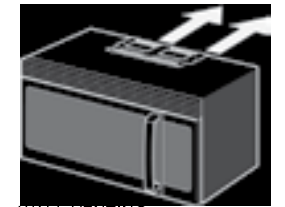


measurements in inches (mm)

## Venting Options



ROOF VENTING

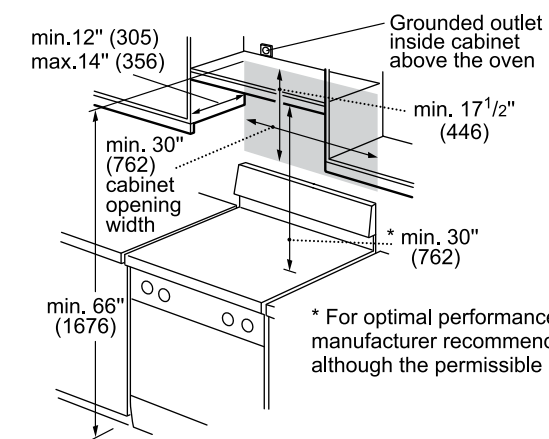


WALL VENTING



ROOM VENTING

## Cutout and Clearances



\* For optimal performance and reliability, the manufacturer recommends a clearance of 33"-36", although the permissible clearance must be at least 30".

measurements in inches (mm)



# 300 / 500 / 800 Series Over-the-Range Microwaves



300 Series  
HMV3053U

- 1.6 cu. ft.
- 1,000 Watts Microwave Cooking
- Auto Cook Functions
- 300 CFM



500 Series  
HMV5053U

- + 2.1 cu. ft.
- + 1,100 Watts Microwave Cooking
- + Sensor Cooking
- + 385 CFM



800 Series  
HMV8053U (Stainless Steel)  
HMV8044U (Black Stainless Steel)

- 1.8 cu. ft.
- 1,000 Watts Microwave Cooking
- + 1,450 Watts Convection Cooking
- + Stainless Steel Cavity

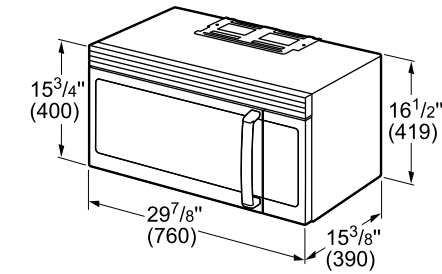
Black  
Stainless Steel

+ Indicates a step-up feature

	30" - 300 Series	30" - 500 Series	30" - 800 Series
	Stainless Steel - HMV3053U	Stainless Steel - HMV5053U	Stainless Steel - HMV8053U Black Stainless Steel - HMV8044U
<b>General Properties</b>			
Cavity color	White	White	Stainless steel
Max. microwave power (W)	1,000 W	1,100 W	1,000 W
Max. extraction rate (CFM)	300 CFM	385 CFM	385 CFM
Ducted	Yes	Yes	Yes
Ductless	Yes	Yes	Yes
Duct size	3 1/4" x 10"	3 1/4" x 10"	3 1/4" x 10"
<b>Capacity</b>			
Cavity capacity (cu. ft.)	1.6 cu. ft.	2.1 cu. ft.	1.8 cu. ft.
Turntable diameter (in.)	13 5/8"	14 3/16"	14 3/16"
<b>Technical Details</b>			
Watts (W)	1,550 W	1,550 W	1,450 W
Circuit breaker (A)	15 A	15 A	15 A
Volts (V)	120 V	120 V	120 V
Frequency (Hz)	60 Hz	60 Hz	60 Hz
Power cord length (in)	39"	39"	39"
Plug type	120V - 3 prong	120V - 3 prong	120V - 3 prong
<b>Dimensions &amp; Weight</b>			
Overall appliance dimensions (HxWxD) (in)	15 3/4" x 29 7/8" x 15 3/8"	16 1/2" x 29 7/8" x 15 7/8"	16 1/2" x 29 7/8" x 15 7/8"
Required cutout size (HxWxD) (in)	16 1/2" min x 30" x 12" min - 12 7/8" max	17 1/2" min x 30" x 12" min - 14" max	17 1/2" min x 30" x 12" min - 14" max
Net weight (lbs)	54 lbs	54 lbs	54 lbs
<b>Accessories - Included</b>			
Included	N/A	N/A	Two level cooking rack

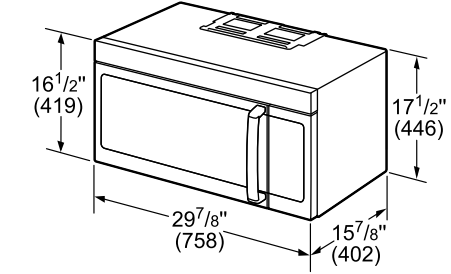
# 300 / 500 / 800 Series Over-the-Range Microwaves

## 300 Series Product Dimensions



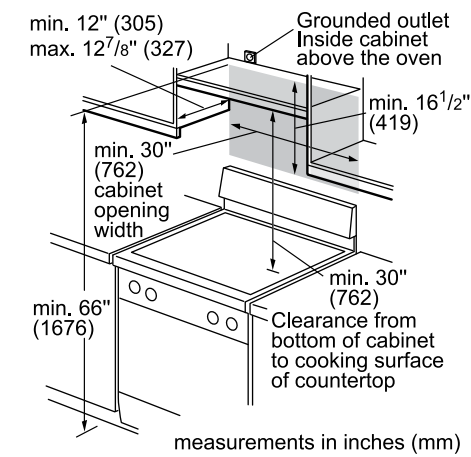
Measurements in inches (mm)

## 500 / 800 Series Product Dimensions



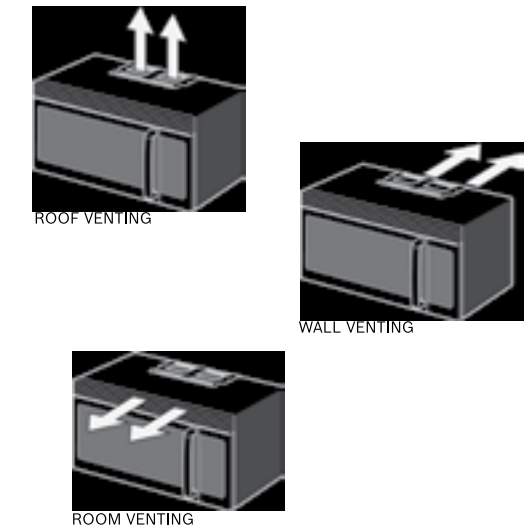
measurements in inches (mm)

## 300 Series Cutout and Clearances

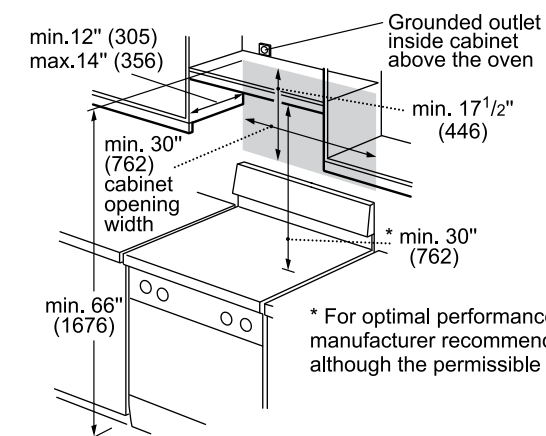


measurements in inches (mm)

## 300 / 500 / 800 Series Venting Options



## 500 / 800 Series Cutout and Clearances



\* For optimal performance and reliability, the manufacturer recommends a clearance of 33"-36", although the permissible clearance must be at least 30".

measurements in inches (mm)



# 800 Series Drawer Microwaves



24" 800 Series  
HMD8451UC

- 1.2 cu. ft.
- 950 Watts
- Microwave Cooking
- 10 Power Levels
- Flush Installation



30" 800 Series  
HMD8053UC

- 1.2 cu. ft.
- 950 Watts
- Microwave Cooking
- 10 Power Levels
- Flush Installation

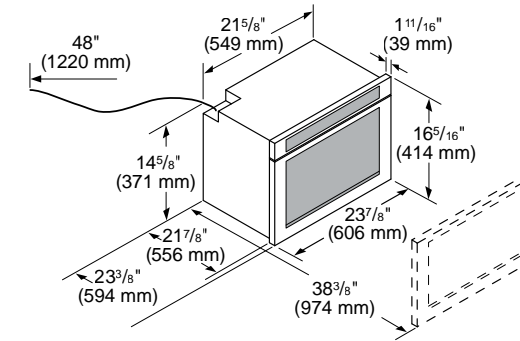
## The Flush-Mount Drawer Microwave

Open your design options. The Bosch drawer microwave installs cleanly under counters, cooktops, and flush to cabinets, letting you take advantage of extra space in a kitchen island, for example. The drawer microwave opens and closes with a push of a button and is large enough to fit a 9" x 13" baking oven pan or a 4 qt. casserole dish.

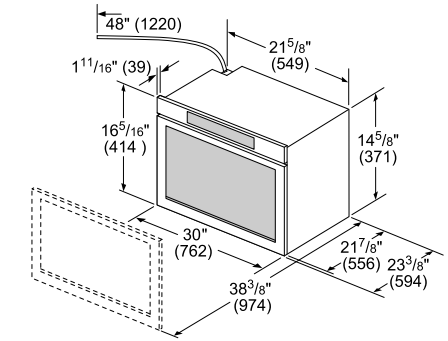
	24" – 800 Series	30" – 800 Series
	Stainless Steel – HMD8451UC	Stainless Steel – HMD8053UC
<b>General Properties</b>		
Cavity material	White	White
Max. microwave power (W)	950 W	950 W
<b>Capacity</b>		
Cavity capacity (cu. ft.)	1.2 cu. ft.	1.2 cu. ft.
<b>Technical Details</b>		
Watts (W)	1,500 W	1,500 W
Circuit breaker (A)	15 A	15 A
Volts (V)	120 V	120 V
Frequency (Hz)	60 Hz	60 Hz
Power cord length (in)	48"	48"
Plug type	120V – 3 prong	120V – 3 prong
<b>Dimensions &amp; Weight</b>		
Overall appliance dimensions (HxWxD) (in)	16 5/16" x 23 7/8" x 23 3/8"	16 5/16" x 30" x 23 3/8"
Required cutout size (HxWxD) (in)	14 13/16" x 22 1/8" x 23 1/2"	14 13/16" x 28 1/4" x 23 1/2"
Net weight (lbs)	81 lbs	82 lbs

# 800 Series Drawer Microwaves

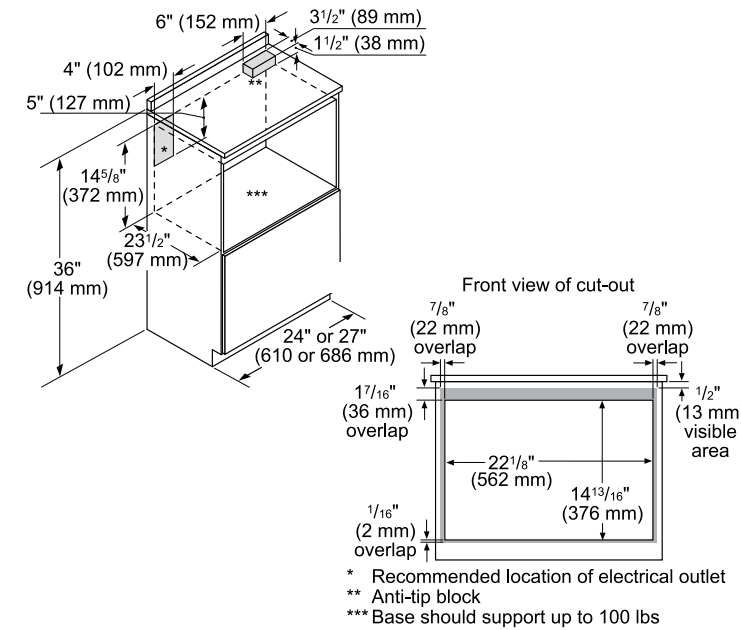
## 24" Drawer Microwave Dimensions



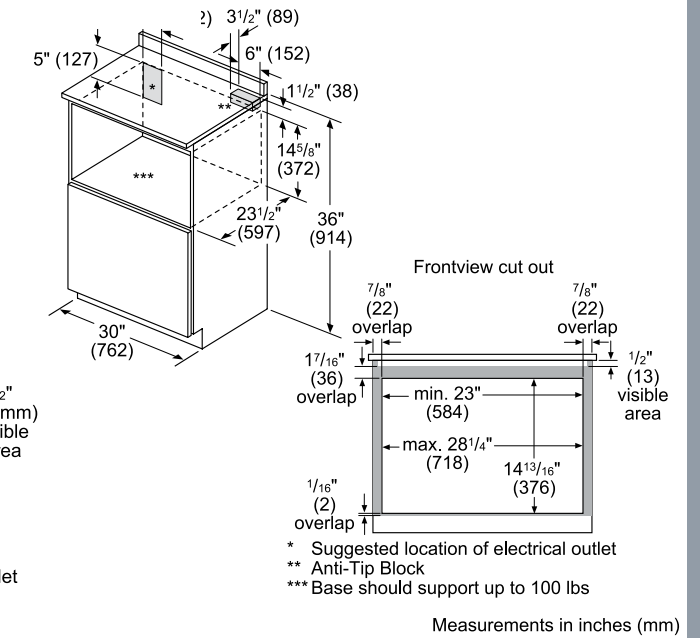
## 30" Drawer Microwave Dimensions



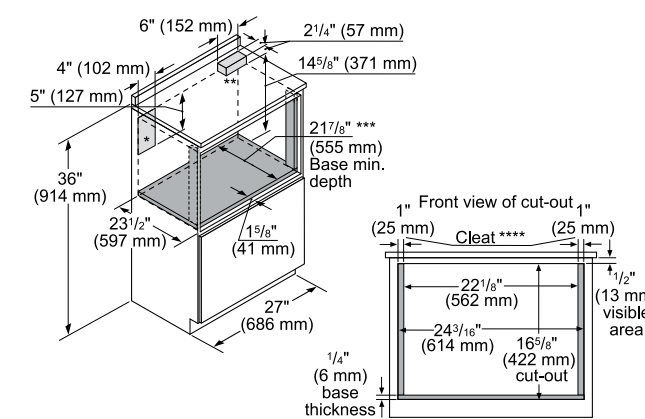
## 24" Drawer Microwave Standard Installation



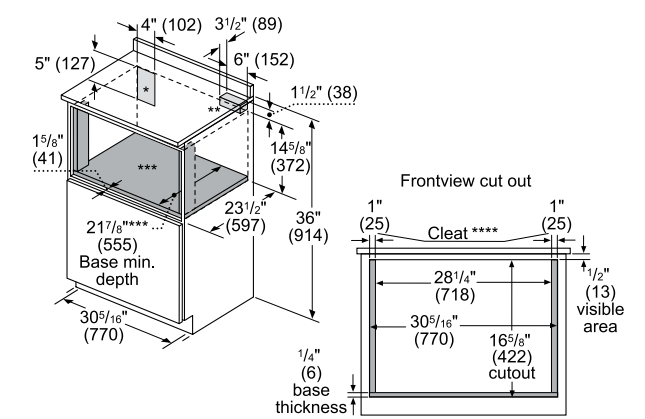
## 30" Drawer Microwave Standard Installation



## 24" Drawer Microwave Flush Installation



## 30" Drawer Microwave Flush Installation



- \* Recommended location of electrical outlet
- \*\* Anti-tip block
- \*\*\* Base should support up to 100 lbs
- \*\*\*\* Sides should be finished and extend back to cleat. Cleats should also be finished, as they may be visible after installation.

- \* Suggested location of electrical outlet
- \*\* Anti-Tip Block
- \*\*\* Base should support up to 100 lbs
- \*\*\*\* Sides should be finished and extend back to cleat. Cleats should also be finished, as they may be visible after installation.

Measurements in inches (mm)



# 500 Series Built-in Microwaves



27" 500 Series  
HMB57152UC

- 1.6 cu. ft.
- 950 Watts Microwave Cooking
- Automatic Sensor Programs
- Designed to Match Bosch Wall Ovens



30" 500 Series  
HMB50152UC (Stainless Steel)  
HMB50162UC (Black)

- 1.6 cu. ft.
- 950 Watts Microwave Cooking
- Automatic Sensor Programs
- Designed to Match Bosch Wall Ovens

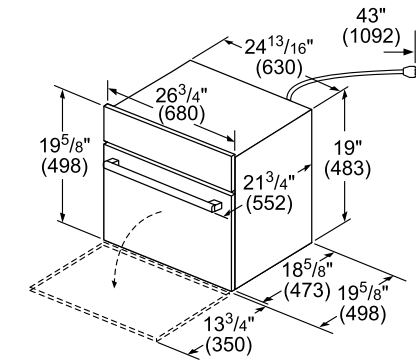


NOTE: Bosch built-in microwaves can be installed in combination with other Bosch cooking products. See pages 78-79 for details.

	27" - 500 Series	30" - 500 Series
	Stainless Steel - HMB57152UC	Stainless Steel - HMB50152UC Black - HMB50162UC
<b>General Properties</b>		
Cavity color	Stainless steel	Stainless steel
Max. microwave power (W)	950 W	950 W
<b>Capacity</b>		
Cavity capacity (cu. ft.)	1.6 cu. ft.	1.6 cu. ft.
Turntable diameter (in.)	14 1/8"	14 1/8"
<b>Technical Details</b>		
Watts (W)	1,650 W	1,650 W
Circuit breaker (A)	15 A	15 A
Volts (V)	120 V	120 V
Frequency (Hz)	60 Hz	60 Hz
Power cord length (in)	43"	43"
Plug type	NEMA 5-15 - 3 prong	NEMA 5-15 - 3 prong
<b>Dimensions &amp; Weight</b>		
Overall appliance dimensions (HxWxD) (in)	19 5/8" x 26 3/4" x 19 5/8"	19 5/8" x 29 3/4" x 19 5/8"
Required cutout size (HxWxD) (in)	Standard: 19 1/4" x 25 1/2" x 19 1/4" Flush: 20 1/4" x 27" x 20 3/4"	Standard: 19 1/4" x 28 1/2" x 19 1/4" Flush: 20 1/4" x 30" x 20 3/4"
Oven overall interior dimensions (HxWxD) (in.)	9 7/8" x 16 1/2" x 16 1/2"	9 7/8" x 16 1/2" x 16 1/2"
Net weight (lbs)	72 lbs	75 lbs
<b>Accessories - Included</b>		
Included	Glass turntable	Glass turntable

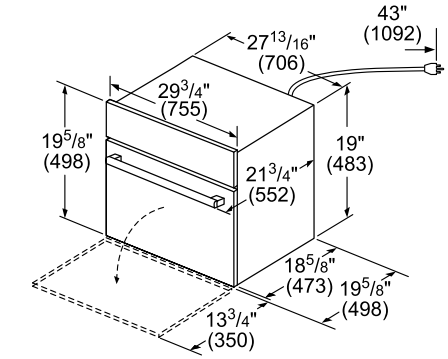
# 500 Series Built-in Microwaves

27" Microwave Dimensions



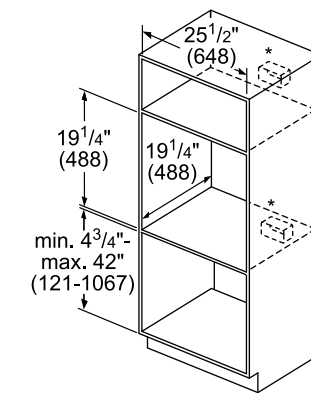
measurements in inches (mm)

30" Microwave Dimensions



measurements in inches (mm)

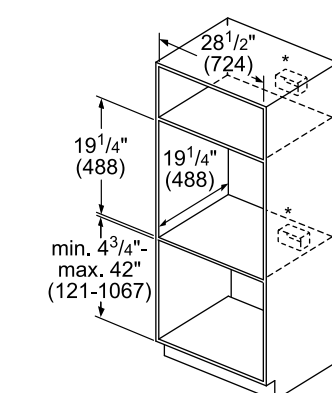
27" Microwave Standard Installation



\* Receptacle may be located above or beneath the unit within reach of the power cable.

measurements in inches (mm)

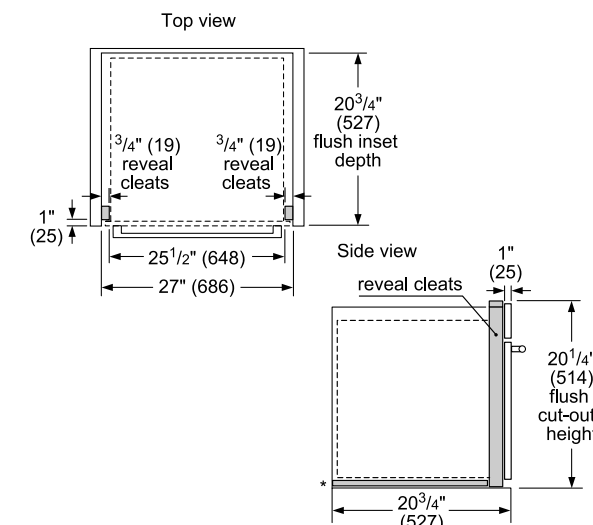
30" Microwave Standard Installation



\* Receptacle may be located above or beneath the unit within reach of the power cable.

measurements in inches (mm)

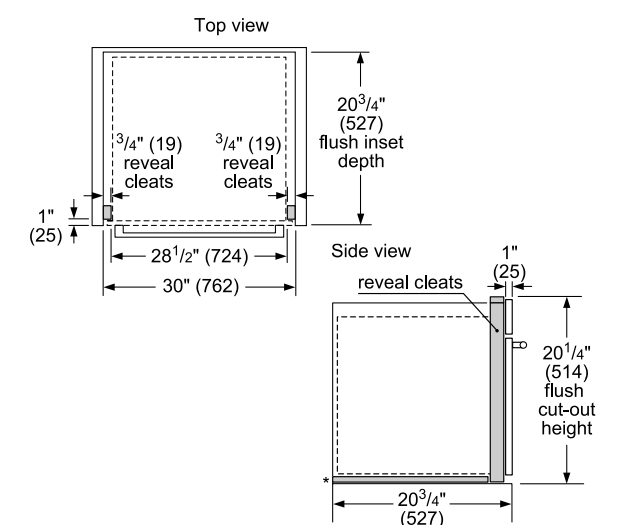
27" Microwave Flush Installation



\* Flush installation requires a 5/16" (8 mm) high x 25 1/2" (648 mm) wide x 19 3/4" (500 mm) deep base plate underneath the unit body.

measurements in inches

30" Microwave Flush Installation



\* Flush installation requires a 5/16" (8 mm) high x 28 1/2" (724 mm) wide x 19 3/4" (500 mm) deep base plate underneath the unit body.

measurements in inches





# Built-in Coffee Machine

Bosch has brewed up smart ideas to let you craft the perfect cup quickly and easily. Our built-in coffee machine is stylishly designed with innovative technologies to prepare coffee precisely when and how you like it. Whether you wish to wake up to a macchiato, relax with a cappuccino, serve up a strong espresso, or froth the perfect latte, Bosch makes it easier to brew it like a barista. And with our intuitive Home Connect™ app, you can control it all from your smartphone or tablet.



# Built-in Coffee Machine



Built-in Coffee Machine with Home Connect™  
BCM8450UC

- Prepare Espresso, Cappuccino, Latte Macchiato & More in Minutes
- Brew Coffee from Anywhere in Your Home with the Home Connect™ App
- Consistent Brewing Temperature for a Better Tasting Coffee
- Prepare Your Favorite Cup of Coffee with the Simple Touch of a Button
- MyFavorites Stores up to 8 of Your Favorite Coffee Preferences



## Built-in Coffee Machine with Home Connect™

Stainless Steel – BCM8450UC

General Properties	
Modes	Caffé Latte, Cappuccino, Coffee, Espresso, Espresso Macchiato, Latte Macchiato, Ristretto, Hot Water, Warm Milk, Steam Clean, Clean, Descaling
Settings	One or two cups, adjustable cup sizes, brewing temperature, coffee strength, grind adjustment
Programming	Home Connect™, personalized beverages, remote settings, language, light and display brightness, water hardness, temperature, time, key sounds, demo, child-proof lock
Home Connect™ features	Remote start, additional beverage options, adjustable settings, remote warnings, reminders, play list, coffee recipes, remote diagnosis, tips and trick videos, use and care manual, shop online
Sensor alerts	Water level, bean container, drip tray, coffee grounds

Design Elements	
Display	Large color touch screen
Selection dial	Stainless steel ring
Beverage dispenser	Adjustable
Double cup settings	Yes
Display brightness	Adjustable
Light brightness	Adjustable
Flush installation	Yes
Container access	Front door

Capacity	
Capacity of water container	5/8 gallon
Bean container	1 lb.
Stainless steel milk container	17 oz.
Powder coffee	1 Scoop

Technical Details	
Watts (W)	1,600 W
Circuit breaker (A)	15 A
Current (A)	10 A
Volts (V)	120 V
Frequency (Hz)	60 Hz
Power cord length (in)	39"
Plug type	120V-3 prong
Energy source	Electric
Pump pressure (bar)	275 psi (19 bar)
Grinding system	Ceramic disks
Cleaning system	Automatic
Milk clean system	Steam

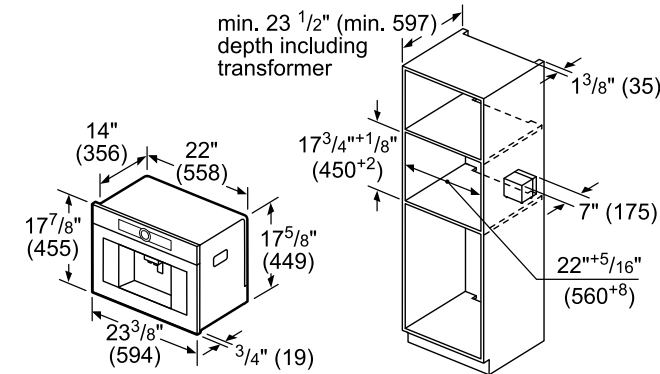
Dimensions & Weight	
Overall appliance dimensions (HxWxD) (in) (not including transformer)	23 3/8" W x 17 7/8" H x 14" D
Net weight (lbs)	43 lbs*
Transformer weight (lbs)	27.5 lbs

**Accessories – Included**  
Stainless steel milk container, powder coffee scoop, 1 water hardness test strip

Optional Accessories				
HEZCMT3050 30" Stainless Steel Trim Kit	11005967 Stainless Steel Milk Container	00573828 Descaling Tablets	00573829 Cleaning Tablets	12008246 Water Filter

# Built-in Coffee Machine

## Product Dimensions and Installation



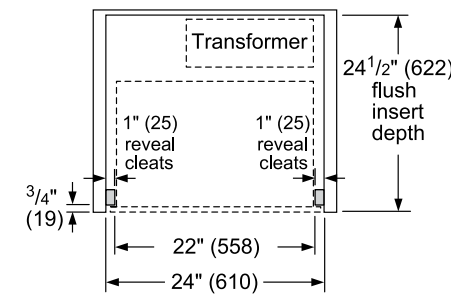
Bean and water reservoir are removed to the front. Recommended installation height 37 1/2"-57" (95-145 cm).

measurements in inches (mm)

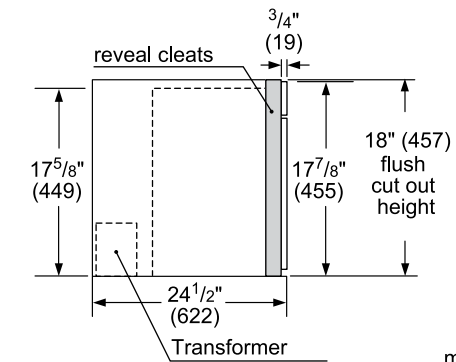
**Design Tip**  
The Bosch Built-in Coffee Machine and 30" Trim Kit pair perfectly with a Bosch Warming or Storage Drawer.  
30" Warming Drawer – HWD5051UC  
30" Storage Drawer – HSD5051UC

## Flush Installation

Top View

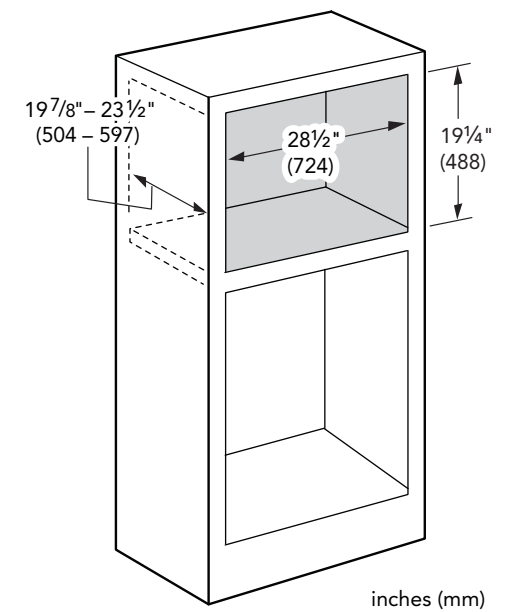
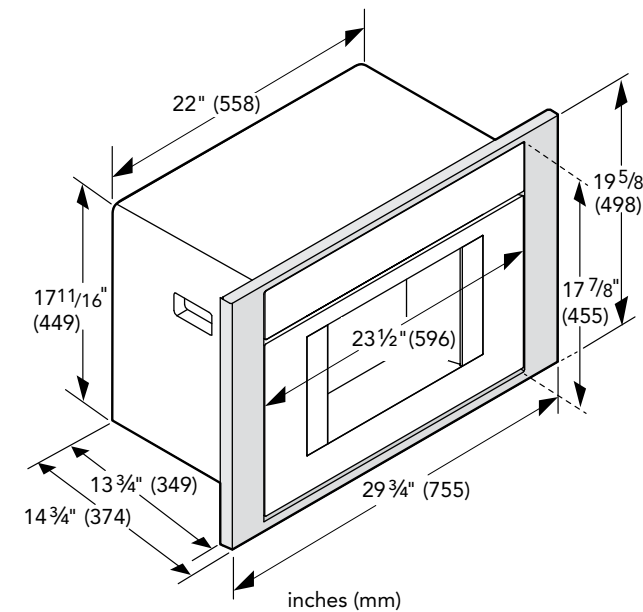


Side View



measurements in inches (mm)

## Cutout Dimensions with Optional Trim Kit HEZCMT3050





# Ranges

Combining function and designed to perform beautifully, Bosch ranges serve as the kitchen's daily companion. Engineered for precision and reliability, bring ease and joy to cooking. Our slide-in ranges are available in gas, dual-fuel, induction, and electric, and offer a features that lend speed and efficiency. The oven features Genuine European Convection for even cooking on all racks, while innovative cooking methods like induction make cooking easier.

The new industrial-style freestanding ranges feature bold, heavy duty die-cast metal control knobs as well as pedestal feet to make a beautiful focal point in any kitchen.





# Benchmark® Series Slide-in Ranges

include these exclusive features:



Our convenient, **slide-in design** lends an instant, built-in look to any kitchen.



Our **QuietClose® doors** never slam shut, instead closing smoothly and effortlessly for stress-free cooking.



The dual-fuel, electric and induction ranges feature **Genuine European Convection** for even baking results on all three racks.



Induction offers **faster cooking** and more precise temperature control, resulting in greater speed and efficiency.



With five burners, including a 12" 3,000-watt triple-ring heating element, our Benchmark® Series electric range gives you the **ultimate flexibility** when cooking.



Our gas and dual-fuel ranges feature a powerful 20,000 BTU center, **dual-stacked burner** that delivers faster boiling and low simmering for greater cooking flexibility.





# Benchmark® Series Induction Slide-in Range



HIIP056U (Induction)

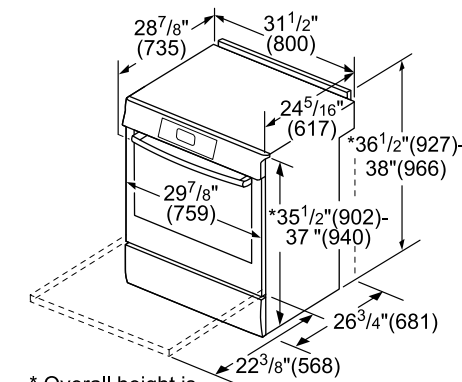
- Full-Depth Slide-in Range
- Precise, Fast and Efficient Cooking
- + FlexInduction®
- + QuietClose® Door
- SpeedBoost®
- Multi-Rack Genuine European Convection
- Temperature Probe
- Warming Drawer
- 4.6 cu. ft.
- + Full-Telescopic Rack
- + 2 Oven Lights

+ Indicates a step-up feature

Induction	
Stainless Steel – HIIP056U	
<b>General Properties</b>	
Cooking modes	Bake, Variable Broil (Hi & Low), Roast, Warm, Proof Dough, Convection Bake, Convection Broil, Convection Roast, Multi-Rack Genuine European Convection, Convection Conversion, Pizza, Temperature Probe, Fast Preheat, Sabbath
Cleaning type	Self clean
Interior lights	2
Kitchen timer	Yes
Drawer type	Warming drawer
<b>Oven Performance</b>	
Bake / broil element watts (W)	2,400 / 3,800 W
Convection element watts (W)	2,000 W
<b>Element Performance</b>	
Total number of cooktop elements	4
Power of front left element watts (W)	2,200 W (3,600 w/boost)
Power of back left element watts (W)	2,200 W (3,600 w/boost)
Power of back right element watts (W)	2,600 W (3,700 w/boost)
Power of front right element watts (W)	1,400 W (2,200 w/boost)
<b>Element Size</b>	
Dimension of FlexInduction® zone	16" x 9"
Dimension of front left heating element	8" x 9"
Dimension of back left heating element	8" x 9"
Dimension of center heating element	N/A
Dimension of back right heating element	11"
Dimension of front right heating element	6"
<b>Technical Details</b>	
Watts (W)	11,700 / 14,000 W
Circuit breaker (A)	40 A
Volts (V); Frequency (Hz)	208 V / 240 V; 60 Hz
Plug type / Cord length (in.)	N/A / N/A
Energy source	Electric
<b>Dimensions &amp; Weight</b>	
Overall appliance dimensions (HxWxD) (in.)	36 1/2" – 38" x 31 1/2" x 28 7/8"
Required cutout size (HxWxD) (in.)	35 1/2" – 37" x 30" x 25"
Adjustable range height (in.)	1 1/2"
Oven cavity size (cu. ft.)	4.6
Overall oven interior dimensions (HxWxD) (in.)	17 13/16" x 24 1/8" x 18"
Usable oven interior dimensions (HxWxD) (in.)	12 5/16" x 23 1/4" x 15 1/4"
Net weight (lbs)	239 lbs
<b>Accessories – Included</b>	
Included	Use and care manual, installation guide, temperature probe, 2 standard racks, 1 telescopic rack

# Benchmark® Series Induction Slide-in Range

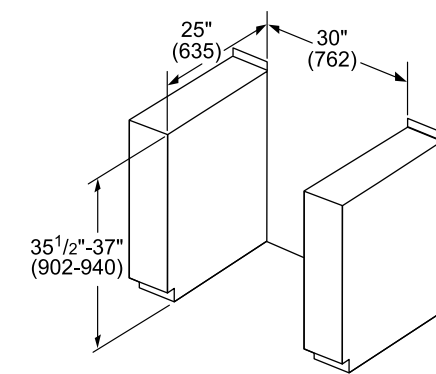
Induction Range Dimensions



\* Overall height is adjustable via leveling legs.

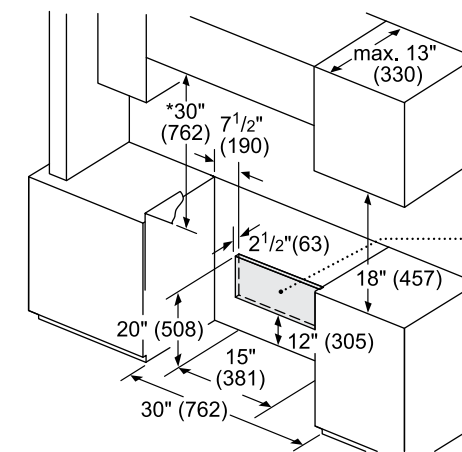
measurements in inches (mm)

Induction Range Cutout Dimensions



measurements in mm

Induction Range Installation



\* Minimum clearance of 30" required to overhead combustible surface. If installing overhead vent or over-the-range microwave, refer to clearances provided with these products.

208/240v Electrical Outlet Location

measurements in inches (mm)

**Optional Accessories**

- HEZTR301 30" Telescopic Rack
- HEZBS301 4" Low Backguard (Stainless Steel)
- HEZ390210 8" AutoChef® Pan for 6" Element
- HEZ390220 9" AutoChef® Pan for 7" Element
- HEZ390230 10" AutoChef® Pan for 8" and 9" Elements



# Benchmark® Series Electric Slide-in Range



HEIP056U (Electric)

- Full-Depth Slide-in Range
- + 12" 3,000-Watt Triple-Ring Element
- 9.5" 3,200- / 1,100-Watt Versatile Element
- 4 Elements + 1 Warming Zone
- + QuietClose® Door
- + Telescopic Rack
- Multi-Rack Genuine European Convection
- + Temperature Probe

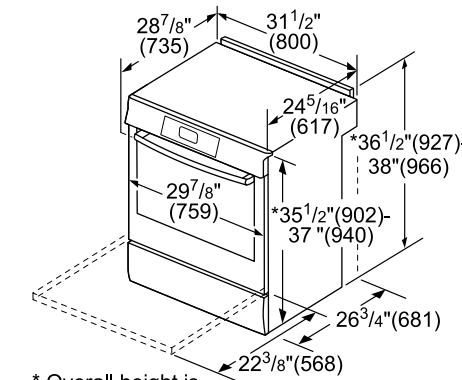
- Warming Drawer
- 4.6 cu. ft.
- + 2 Oven Lights

+ Indicates a step-up feature

Electric	
Stainless Steel – HEIP056U	
<b>General Properties</b>	
Cooking modes	Bake, Variable Broil (Hi & Low), Roast, Warm, Proof Dough, Convection Bake, Convection Broil, Convection Roast, Multi-Rack Genuine European Convection, Convection Conversion, Pizza, Temperature Probe, Fast Preheat, Sabbath
Cleaning type	Self clean
Knob material	Metal
Interior lights	2
Kitchen timer	Yes
Drawer type	Warming drawer
<b>Oven Performance</b>	
Bake / broil element watts (W)	2,400 / 3,800 W
Convection element watts (W)	2,000 W
<b>Element Performance</b>	
Total number of cooktop elements	5
Power of front left element watts (W)	1,050 / 1,950 / 3,000 W
Power of back left element watts (W)	1,200 W
Power of center element watts (W)	100 W
Power of back right element watts (W)	1,200 W
Power of front right element watts (W)	1,100 / 3,200 W
<b>Element Size</b>	
Dimension of front left heating element	6" / 9" / 12"
Dimension of back left heating element	6"
Dimension of center heating element	6"
Dimension of back right heating element	6"
Dimension of front right heating element	9.5"
<b>Technical Details</b>	
Watts (W)	11,300 / 14,800 W
Circuit breaker (A)	40 A
Volts (V); Frequency (Hz)	208 V / 240 V; 60 Hz
Plug type / Cord length (in.)	N/A / N/A
Energy source	Electric
<b>Dimensions &amp; Weight</b>	
Overall appliance dimensions (HxWxD) (in.)	36 1/2" – 38" x 31 1/2" x 28 7/8"
Required cutout size (HxWxD) (in.)	35 1/2" – 37" x 30" x 25"
Adjustable range height (in.)	1 1/2"
Oven cavity size (cu. ft.)	4.6
Overall oven interior dimensions (HxWxD) (in.)	17 13/16" x 24 1/8" x 18"
Usable oven interior dimensions (HxWxD) (in.)	12 5/16" x 23 1/4" x 15 1/4"
Net weight (lbs)	229 lbs
<b>Accessories – Included</b>	
Included	Use and care manual, installation guide, temperature probe, 2 standard racks, 1 telescopic rack

# Benchmark® Series Electric Slide-in Range

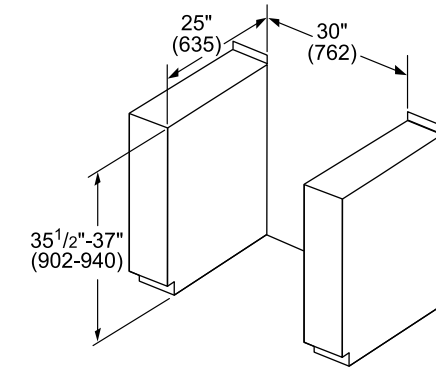
Electric Range Dimensions



\* Overall height is adjustable via leveling legs.

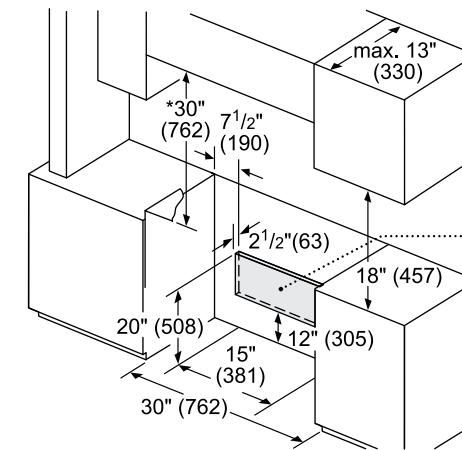
measurements in inches (mm)

Electric Range Cutout Dimensions



measurements in mm

Electric Range Installation



\* Minimum clearance of 30" required to overhead combustible surface. If installing overhead vent or over-the-range microwave, refer to clearances provided with these products.

measurements in inches (mm)

**Optional Accessories**



HEZTR301  
30" Telescopic Rack



HEZBS301  
4" Low Backguard (Stainless Steel)



HEZ390210  
8" AutoChef® Pan for 6" Element



HEZ390220  
9" AutoChef® Pan for 7" Element



HEZ390230  
10" AutoChef® Pan for 8" and 9" Elements



# Benchmark® Series Dual-Fuel Slide-in Range



HDIP056U (Dual-Fuel)

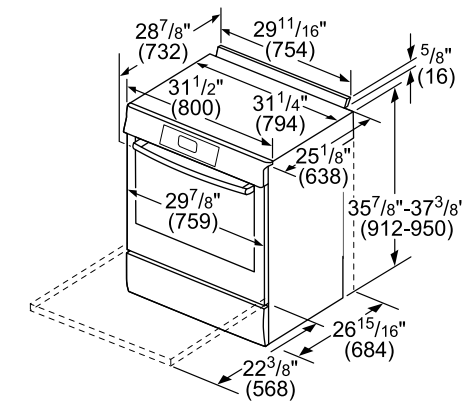
- Full-Depth Slide-in Range
- 5 Burners
- 20,000 BTU Dual-Stacked Burner
- Multi-Rack Genuine European Convection
- QuietClose® Door
- Telescopic Rack
- Temperature Probe
- Warming Drawer
- 4.6 cu. ft.
- 2 Oven Lights

+ Indicates a step-up feature

Dual-Fuel	
Stainless Steel – HDIP056U	
<b>General Properties</b>	
Cooking modes	Bake, Variable Broil (Hi & Low), Roast, Warm, Proof Dough, Convection Bake, Convection Broil, Convection Roast, Multi-Rack Genuine European Convection, Convection Conversion, Pizza, Temperature Probe, Fast Preheat, Sabbath
Cleaning type	Self clean
Type of grate	Cast iron
Knob material	Metal
Interior light	2
Kitchen timer	Yes
Drawer type	Warming drawer
Sealed burners	Yes
<b>Oven Performance</b>	
Bake / broil element watts (W)	2,400 W / 3,800 W
Convection element watts (W)	2,000 W
<b>Burner Performance</b>	
Total number of cooktop burners	5
Total cooktop (NG / LP) BTU	55,000 / 48,500
Power of front left burner (NG / LP) BTU	10,000 / 8,000
Power of back left burner (NG / LP) BTU	5,000 / 5,000
Power of center burner (NG / LP) BTU	20,000 / 17,000
Power of back right burner (NG / LP) BTU	5,000 / 5,000
Power of front right burner (NG / LP) BTU	15,000 / 13,500
<b>Technical Details</b>	
Watts (W)	4,800 / 6,400 W
Circuit breaker (A)	30 A
Volts (V)	208 V / 240 V
Frequency (Hz)	60 Hz
Plug type / Cord length (in.)	N/A / N/A
Energy source	Mixed electric / gas
Gas type	Natural gas 15 mbar (USA)
Alternative gas type	LP 27.5 mbar (USA)
<b>Dimensions &amp; Weight</b>	
Overall appliance dimensions (HxWxD) (in.)	36 1/2" – 38" x 31 1/2" x 28 7/8"
Required cutout size (HxWxD) (in.)	35 1/2" – 37" x 30" x 25"
Adjustable range height (in.)	1 1/2"
Oven cavity size (cu. ft.)	4.6
Overall oven interior dimensions (HxWxD) (in.)	17 13/16" x 24 1/8" x 18"
Usable oven interior dimensions (HxWxD) (in.)	12 5/16" x 23 1/4" x 15 1/4"
Net weight (lbs)	227 lbs
<b>Accessories – Included</b>	
Included	Use and care manual, installation guide, temperature probe, LP conversion kit, 2 standard racks, 1 telescopic rack

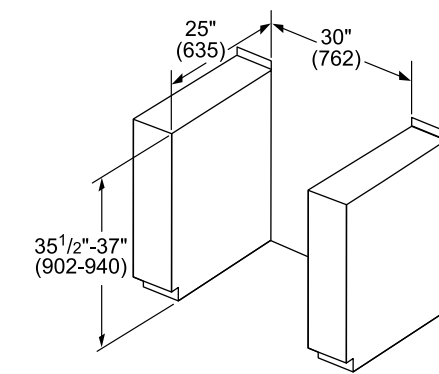
# Benchmark® Series Dual-Fuel Slide-in Range

Dual-Fuel Range Dimensions



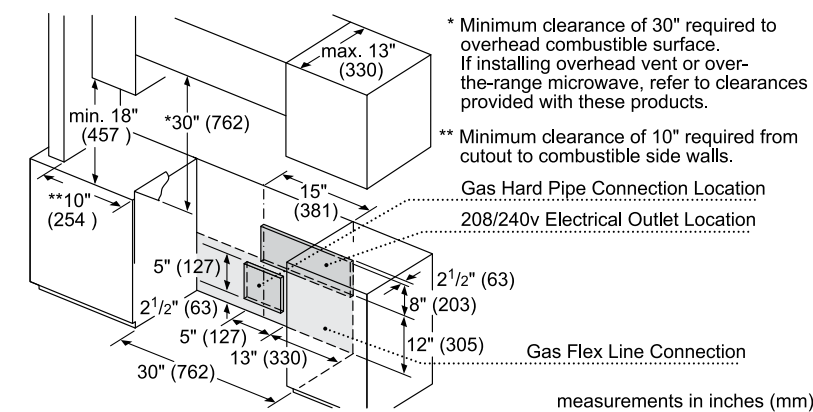
measurements in inches and (mm)

Dual-Fuel Range Cutout Dimensions



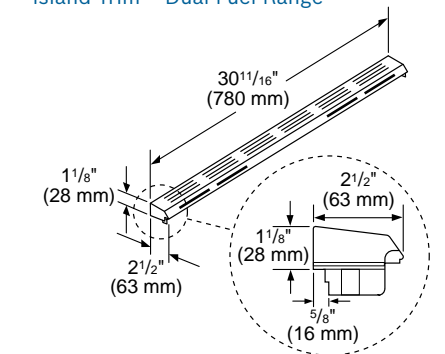
measurements in mm

Dual-Fuel Range Installation



measurements in inches (mm)

Island Trim – Dual-Fuel Range



Measurements in inches

**Optional Accessories**

- HEZTR301 30" Telescopic Rack
- HDZBS301 4" Low Backguard, Dual-Fuel (Stainless Steel)
- HEZGR301 Griddle
- HEZ298102 Wok Ring
- HDZIT301 Island Trim for Island Applications, Dual-Fuel (Stainless Steel)



# Benchmark® Series Gas Slide-in Range



HGIP056UC (Gas)

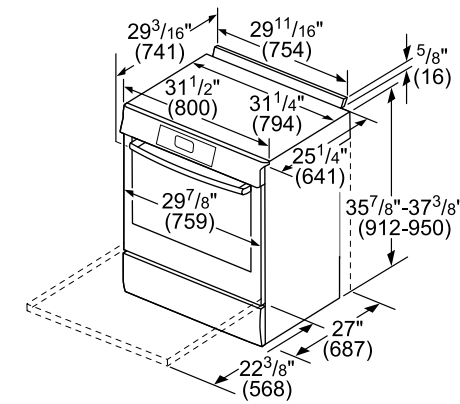
- Full-Depth Slide-in Range
- 5 Burners
- + 20,000 BTU Dual-Stacked Burner
- + QuietClose® Door
- + Telescopic Rack
- Multi-Rack Genuine European Convection
- + Temperature Probe
- Warming Drawer
- 4.8 cu. ft.
- + 2 Oven Lights

+ Indicates a step-up feature

Gas	
Stainless Steel – HGIP056UC	
<b>General Properties</b>	
Cooking modes	Bake, Variable Broil (Hi & Low), Roast, Warm, Proof Dough, Convection Bake, Convection Roast, Convection Conversion, Pizza, Temperature Probe, Sabbath
Cleaning type	Self clean
Type of grate	Cast iron
Knob material	Metal
Interior light	2
Kitchen timer	Yes
Drawer type	Warming drawer
Sealed burners	Yes
<b>Oven Performance</b>	
Bake / broil burner power BTU	18,000 / 12,500 BTU
Bake / broil element watts (W)	N/A
Convection element watts (W)	N/A
<b>Burner Performance</b>	
Total number of cooktop burners	5
Total cooktop (NG / LP) BTU	55,000 / 48,500
Power of front left burner (NG / LP) BTU	10,000 / 8,000
Power of back left burner (NG / LP) BTU	5,000 / 5,000
Power of center burner (NG / LP) BTU	20,000 / 17,000
Power of back right burner (NG / LP) BTU	5,000 / 5,000
Power of front right burner (NG / LP) BTU	15,000 / 13,500
<b>Technical Details</b>	
Circuit breaker (A)	15 A
Volts (V)	120 V
Frequency (Hz)	60 Hz
Plug type	US 3-prong
Cord length (in.)	78"
Energy source	Gas
Gas type	Natural gas 15 mbar (USA)
Alternative gas type	LP 27.5 mbar (USA)
<b>Dimensions &amp; Weight</b>	
Overall appliance dimensions (HxWxD) (in.)	36 1/2" – 38" x 31 1/2" x 29 3/16"
Required cutout size (HxWxD) (in.)	35 1/2" – 37" x 30" x 25 1/4"
Adjustable range height (in.)	1 1/2"
Oven cavity size (cu. ft.)	4.8
Overall oven interior dimensions (HxWxD) (in.)	17 13/16" x 24 1/8" x 18"
Usable oven interior dimensions (HxWxD) (in.)	11 1/2" x 23 1/4" x 15 1/4"
Net weight (lbs)	228 lbs
<b>Accessories – Included</b>	
Included	Use and care manual, installation guide, temperature probe, LP conversion kit, 2 standard racks, 1 telescopic rack

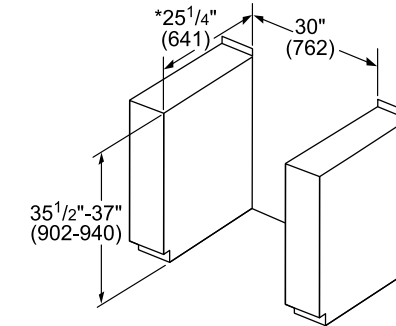
# Benchmark® Series Gas Slide-in Range

## Gas Range Dimensions



measurements in inches and (mm)

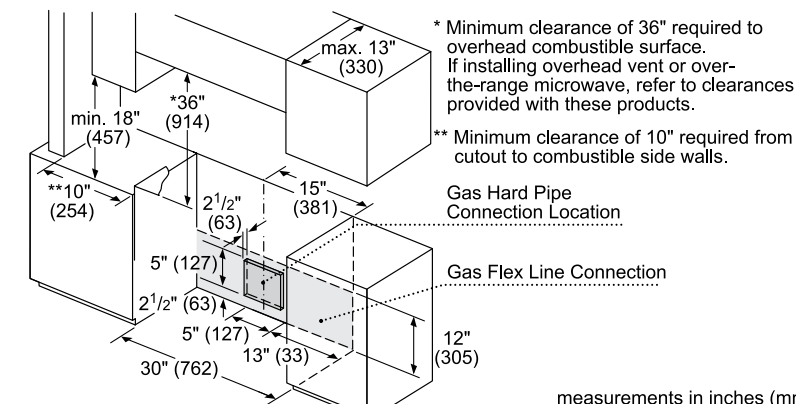
## Gas Range Cutout Dimensions



\* For island installation with island trim (HGZIT301), use a cutout depth of 25 3/8" (645)

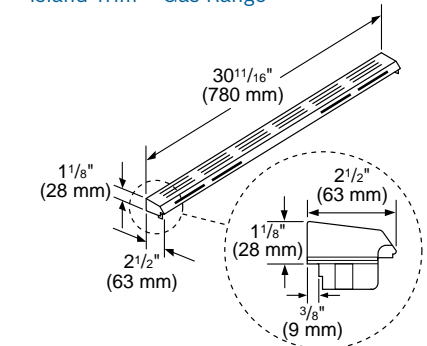
measurements in inches and (mm)

## Gas Range Installation



measurements in inches (mm)

## Island Trim – Gas Range



Measurements in inches

## Optional Accessories



HEZTR301  
30" Telescopic Rack



HGZBS301  
4" Low Backguard, Gas (Stainless Steel)



HEZGR301  
Griddle



HEZ298102  
Wok Ring



HGZIT301  
Island Trim for Island Applications, Gas (Stainless Steel)



# 800 Series Induction Slide-in Ranges



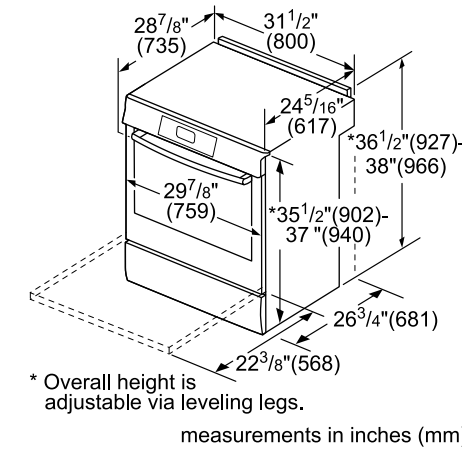
**Induction**  
 HII8056U (Stainless Steel)  
 HII8046U (Black Stainless Steel)

- Full-Depth Slide-in Range
- Precise, Fast and Efficient Cooking
- SpeedBoost®
- Multi-Rack Genuine European Convection
- Temperature Probe
- Warming Drawer
- 4.6 cu. ft.

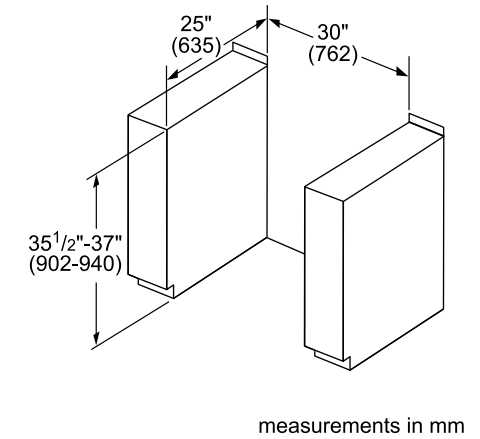
Induction	
Stainless Steel – HII8056U Black Stainless Steel – HII8046U	
General Properties	
Cooking modes	Bake, Variable Broil (Hi & Low), Roast, Warm, Proof Dough, Convection Bake, Convection Broil, Convection Roast, Multi-Rack Genuine European Convection, Convection Conversion, Pizza, Temperature Probe, Fast Preheat, Sabbath
Cleaning type	Self clean
Knob material	N/A
Interior light	1
Kitchen timer	Yes
Drawer type	Warming drawer
Oven Performance	
Bake / broil element watts (W)	2,400 / 3,800 W
Convection element watts (W)	2,000 W
Element Performance	
Total number of cooktop elements	4
Power of front left element watts (W)	1,400 W (2,200 w/boost)
Power of back left element watts (W)	2,200 W (3,700 w/boost)
Power of center element watts (W)	N/A
Power of back right element watts (W)	2,600 W (3,700 w/boost)
Power of front right element watts (W)	1,400 W (2,200 w/boost)
Element Size	
Dimension of front left heating element	6"
Dimension of back left heating element	9"
Dimension of center heating element	N/A
Dimension of back right heating element	11"
Dimension of front right heating element	6"
Technical Details	
Watts (W)	11,700 / 14,000 W
Circuit breaker (A)	40 A
Volts (V); Frequency (Hz)	208 V / 240 V; 60 Hz
Plug type / Cord length (in.)	N/A / N/A
Energy source	Electric
Dimensions & Weight	
Overall appliance dimensions (HxWxD) (in.)	36 1/2" – 38" x 31 1/2" x 28 7/8"
Required cutout size (HxWxD) (in.)	35 1/2" – 37" x 30" x 25"
Adjustable range height (in.)	1 1/2"
Oven cavity size (cu. ft.)	4.6
Overall oven interior dimensions (HxWxD) (in.)	17 13/16" x 24 1/8" x 18"
Usable oven interior dimensions (HxWxD) (in.)	12 5/16" x 23 1/4" x 15 1/4"
Net weight (lbs)	239 lbs
Accessories – Included	
Included	Use and care manual, installation guide, temperature probe, 3 standard racks

# 800 Series Induction Slide-in Ranges

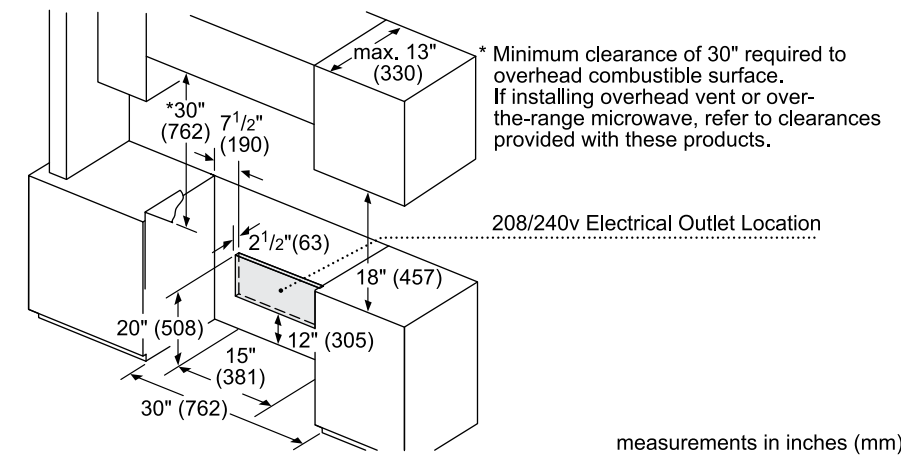
Induction Range Dimensions



Induction Range Cutout Dimensions



Induction Range Installation



Optional Accessories

- HEZTR301 30" Telescopic Rack
- HEZBS301 4" Low Backguard (Stainless Steel)
- HEZ390210 8" AutoChef® Pan for 6" Element
- HEZ390220 9" AutoChef® Pan for 7" Element
- HEZ390230 10" AutoChef® Pan for 8" and 9" Elements



# 800 Series Electric Slide-in Ranges



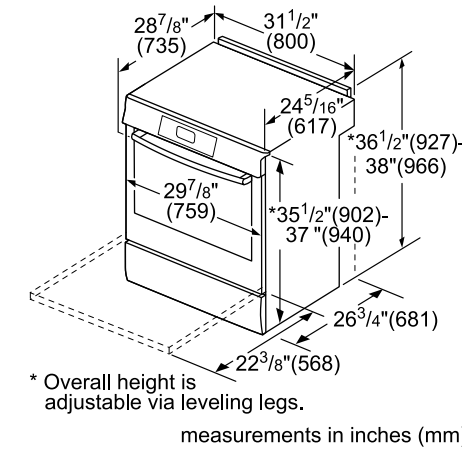
Electric  
 HEI8056U (Stainless Steel)  
 HEI8046U (Black Stainless Steel)

- Full-Depth Slide-in Range
- 6" / 9" 3,000-Watt Dual-Ring Element
- 9.5" 3,200- / 1,100-Watt Versatile Element
- 4 Elements + 1 Warming Zone
- Multi-Rack Genuine European Convection
- Warming Drawer
- 4.6 cu. ft.

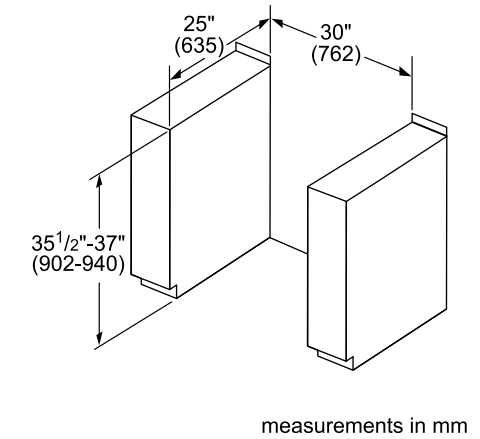
Electric	
Stainless Steel – HEI8056U Black Stainless Steel – HEI8046U	
General Properties	
Cooking modes	Bake, Variable Broil (Hi & Low), Roast, Warm, Proof Dough, Convection Bake, Convection Broil, Convection Roast, Multi-Rack Genuine European Convection, Convection Conversion, Pizza, Fast Preheat, Sabbath
Cleaning type	Self clean
Knob material	Metal
Interior light	1
Kitchen timer	Yes
Drawer type	Warming drawer
Oven Performance	
Bake / broil element watts (W)	2,400 / 3,800 W
Convection element watts (W)	2,000 W
Element Performance	
Total number of cooktop elements	5
Power of front left element watts (W)	1,400 / 3,000 W
Power of back left element watts (W)	1,200 W
Power of center element watts (W)	100 W
Power of back right element watts (W)	1,200 W
Power of front right element watts (W)	1,100 / 3,200 W
Element Size	
Dimension of front left heating element	6" / 9"
Dimension of back left heating element	6"
Dimension of center heating element	6"
Dimension of back right heating element	6"
Dimension of front right heating element	9.5"
Technical Details	
Watts (W)	11,300 / 14,800 W
Circuit breaker (A)	40 A
Volts (V); Frequency (Hz)	208 V / 240 V; 60 Hz
Plug type / Cord length (in.)	N/A / N/A
Energy source	Electric
Dimensions & Weight	
Overall appliance dimensions (HxWxD) (in.)	36 1/2" – 38" x 31 1/2" x 28 7/8"
Required cutout size (HxWxD) (in.)	35 1/2" – 37" x 30" x 25"
Adjustable range height (in.)	1 1/2"
Oven cavity size (cu. ft.)	4.6
Overall oven interior dimensions (HxWxD) (in.)	17 13/16" x 24 1/8" x 18"
Usable oven interior dimensions (HxWxD) (in.)	12 5/16" x 23 1/4" x 15 1/4"
Net weight (lbs)	229 lbs
Accessories – Included	
Included	Use and care manual, installation guide, 3 standard racks

# 800 Series Electric Slide-in Ranges

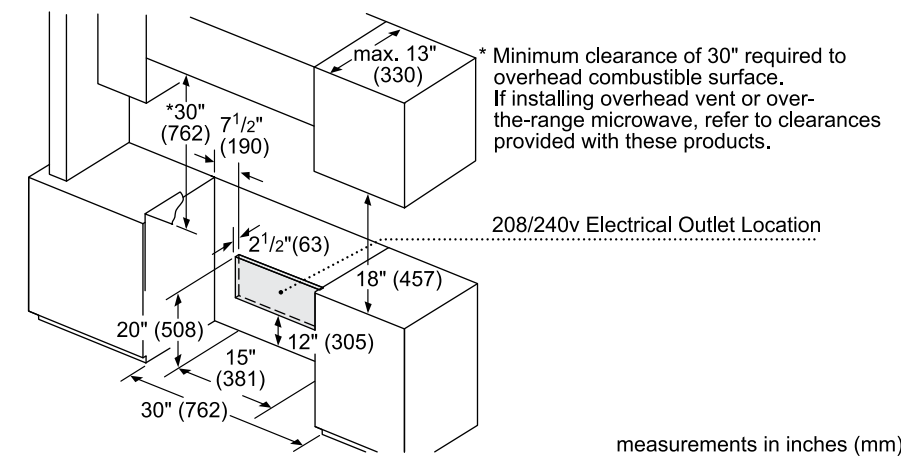
Electric Range Dimensions



Electric Range Cutout Dimensions



Electric Range Installation



## Optional Accessories

- HEZTR301 30" Telescopic Rack
- HEZBS301 4" Low Backguard (Stainless Steel)
- HEZ390210 8" AutoChef® Pan for 6" Element
- HEZ390220 9" AutoChef® Pan for 7" Element
- HEZ390230 10" AutoChef® Pan for 8" and 9" Elements



# 800 Series Dual-Fuel Slide-in Range



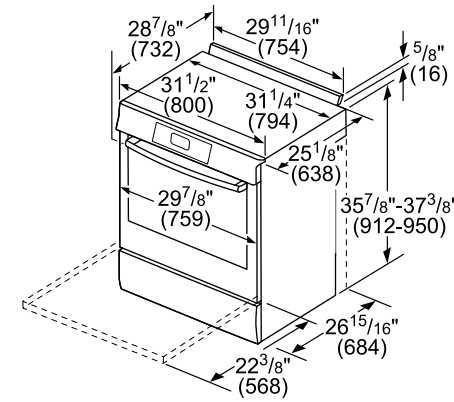
HDI8056U (Dual-Fuel)

- Full-Depth Slide-in Range
- 18,000 BTU Burner
- 5 Burners
- Multi-Rack Genuine European Convection
- Temperature Probe
- Warming Drawer
- 4.6 cu. ft.

Dual-Fuel	
Stainless Steel – HDI8056U	
<b>General Properties</b>	
Cooking modes	Bake, Variable Broil (Hi & Low), Roast, Warm, Proof Dough, Convection Bake, Convection Broil, Convection Roast, Multi-Rack Genuine European Convection, Convection Conversion, Pizza, Temperature Probe, Fast Preheat, Sabbath
Cleaning type	Self clean
Type of grate	Cast iron
Knob material	Metal
Interior light	1
Kitchen timer	Yes
Drawer type	Warming drawer
Sealed burners	Yes
<b>Oven Performance</b>	
Bake / broil element watts (W)	2,400 / 3,800 W
Convection element watts (W)	2,000 W
<b>Burner Performance</b>	
Total number of cooktop burners	5
Total cooktop (NG / LP) BTU	53,000 / 44,000
Power of front left burner (NG / LP) BTU	10,000 / 8,000
Power of back left burner (NG / LP) BTU	5,000 / 5,000
Power of center burner (NG / LP) BTU	18,000 / 12,500
Power of back right burner (NG / LP) BTU	5,000 / 5,000
Power of front right burner (NG / LP) BTU	15,000 / 13,500
<b>Technical Details</b>	
Watts (W)	4,800 / 6,400 W
Circuit breaker (A)	30 A
Volts (V)	208 V / 240 V
Frequency (Hz)	60 Hz
Plug type / Cord length (in.)	N/A / N/A
Energy source	Mixed electric / gas
Gas type	Natural gas 15 mbar (USA)
Alternative gas type	LP 27.5 mbar (USA)
<b>Dimensions &amp; Weight</b>	
Overall appliance dimensions (HxWxD) (in.)	36 1/2" – 38" x 31 1/2" x 28 7/8"
Required cutout size (HxWxD) (in.)	35 1/2" – 37" x 30" x 25"
Adjustable range height (in.)	1 1/2"
Oven cavity size (cu. ft.)	4.6
Overall oven interior dimensions (HxWxD) (in.)	17 13/16" x 24 1/8" x 18"
Usable oven interior dimensions (HxWxD) (in.)	12 5/16" x 23 1/4" x 15 1/4"
Net weight (lbs)	227 lbs
<b>Accessories – Included</b>	
Included	Use and care manual, installation guide, temperature probe, LP conversion kit, 3 standard racks

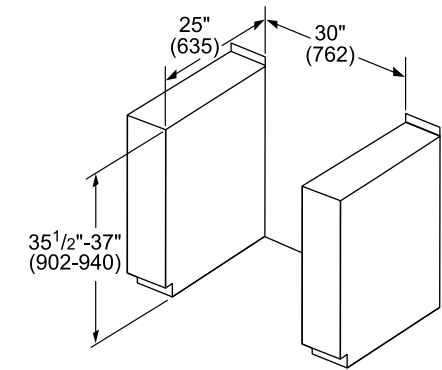
# 800 Series Dual-Fuel Slide-in Range

Dual-Fuel Range Dimensions



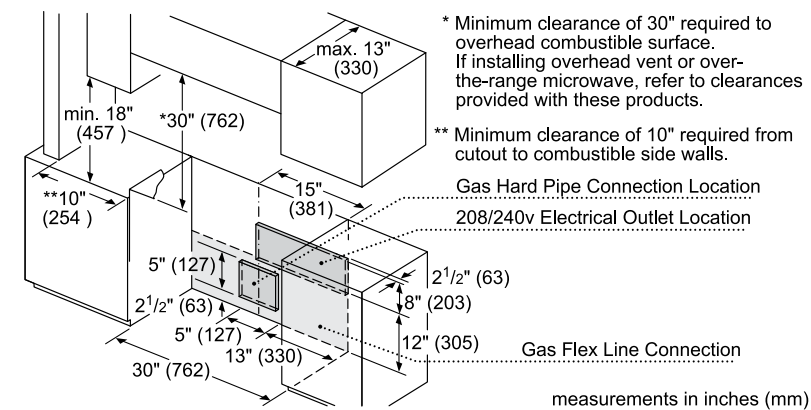
measurements in inches and (mm)

Dual-Fuel Cutout Dimensions



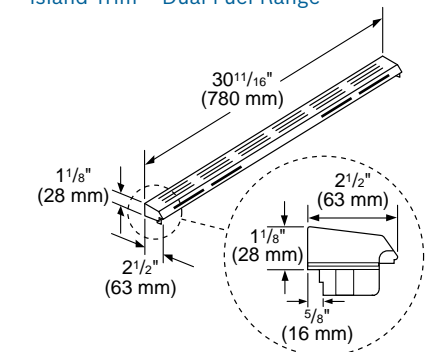
measurements in mm

Dual-Fuel Range Installation



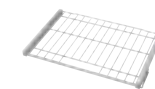
measurements in inches (mm)

Island Trim – Dual-Fuel Range



Measurements in inches

**Optional Accessories**



HEZTR301  
30" Telescopic Rack



HDZBS301  
4" Low Backguard, Dual-Fuel (Stainless Steel)



HEZGR301  
Griddle



HEZ298102  
Wok Ring



HDZIT301  
Island Trim for Island Applications, Dual-Fuel (Stainless Steel)



# 800 Series Gas Slide-in Range



Gas  
 HGI8056UC (Stainless Steel)  
 HGI8046UC (Black Stainless Steel)

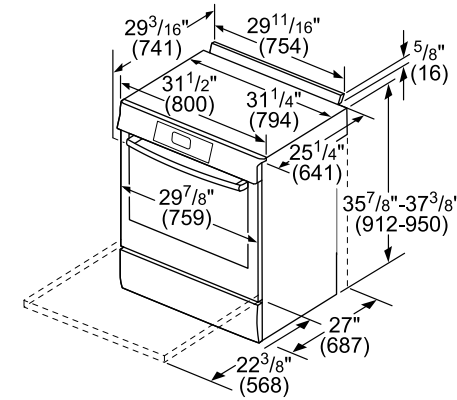
- Full-Depth Slide-in Range
- 18,000 BTU Burner
- 5 Burners
- Heavy-duty Metal Knobs
- Warming Drawer
- 4.8 cu. ft.

Black  
 Stainless Steel

Gas	
Stainless Steel – HGI8056UC Black Stainless Steel – HGI8046UC	
<b>General Properties</b>	
Cooking modes	Bake, Variable Broil (Hi & Low), Roast, Warm, Proof Dough, Convection Bake, Convection Roast, Convection Conversion, Pizza, Sabbath
Cleaning type	Self clean
Type of grate	Cast iron
Knob material	Metal
Interior light	1
Kitchen timer	Yes
Drawer type	Warming drawer
Sealed burners	Yes
<b>Oven Performance</b>	
Bake / broil burner power BTU	18,000 / 12,500 BTU
<b>Burner Performance</b>	
Total number of cooktop burners	5
Total cooktop (NG / LP) BTU	53,000 / 46,500
Power of front left burner (NG / LP) BTU	10,000 / 8,000
Power of back left burner (NG / LP) BTU	5,000 / 5,000
Power of center burner (NG / LP) BTU	18,000 / 15,000
Power of back right burner (NG / LP) BTU	5,000 / 5,000
Power of front right burner (NG / LP) BTU	15,000 / 13,500
<b>Technical Details</b>	
Circuit breaker (A)	15 A
Volts (V)	120 V
Frequency (Hz)	60 Hz
Plug type	US 3-prong
Cord length (in.)	78"
Energy source	Gas
Gas type	Natural gas 15 mbar (USA)
Alternative gas type	LP 27.5 mbar (USA)
<b>Dimensions &amp; Weight</b>	
Overall appliance dimensions (HxWxD) (in.)	36 1/2" – 38" x 31 1/2" x 29 3/16"
Required cutout size (HxWxD) (in.)	35 1/2" – 37" x 30" x 25 1/4"
Adjustable range height (in.)	1 1/2"
Oven cavity size (cu. ft.)	4.8
Overall oven interior dimensions (HxWxD) (in.)	17 13/16" x 24 1/8" x 18"
Usable oven interior dimensions (HxWxD) (in.)	11 1/2" x 23 1/4" x 15 1/4"
Net weight (lbs)	228 lbs
<b>Accessories – Included</b>	
Included	Use and care manual, installation guide, LP conversion kit, 3 standard racks

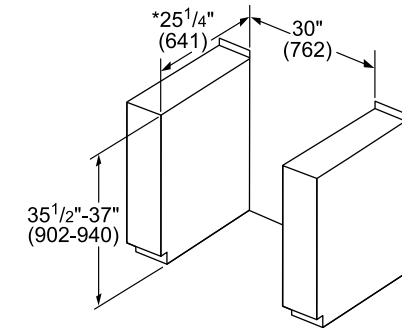
# 800 Series Gas Slide-in Range

## Gas Range Dimensions



measurements in inches and (mm)

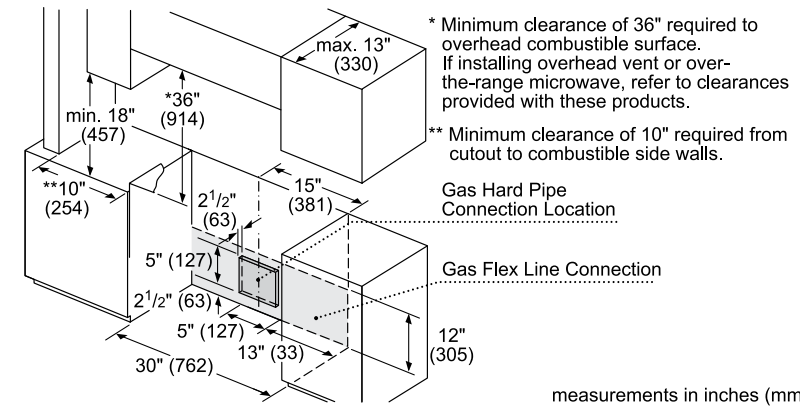
## Gas Cutout Dimensions



\* For island installation with island trim (HGZIT301), use a cutout depth of 25 3/8" (645)

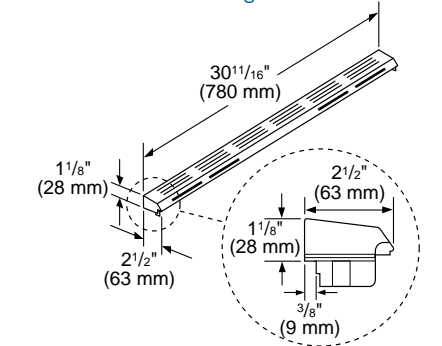
measurements in inches and (mm)

## Gas Range Installation



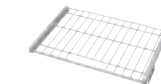
measurements in inches (mm)

## Island Trim – Gas Range



Measurements in inches

## Optional Accessories



HEZTR301  
30" Telescopic Rack



HGZBS301  
4" Low Backguard, Gas (Stainless Steel)



HEZGR301  
Griddle



HEZ298102  
Wok Ring



HGZIT301  
Island Trim for Island Applications, Gas (Stainless Steel)





# 800 Series Industrial Style Gas & Dual-Fuel Ranges



**30" Gas 800 Series**  
HGS8055UC (Stainless Steel)  
HGS8045UC (Black Stainless Steel)

- Commercial Design with 5 Burners
- 18,000 BTU Dual Flame Ring Power Burner
- Dishwasher-safe Grates
- Quiet Close Door



**30" Dual-Fuel 800 Series**  
HDS8055U (Stainless Steel)  
HDS8045U (Black Stainless Steel)

- Commercial Design with 5 Burners
- 18,000 BTU Dual Flame Ring Power Burner
- Dishwasher-safe Grates
- Quiet Close Door
- Multi-Rack Genuine European Convection
- Temperature Probe

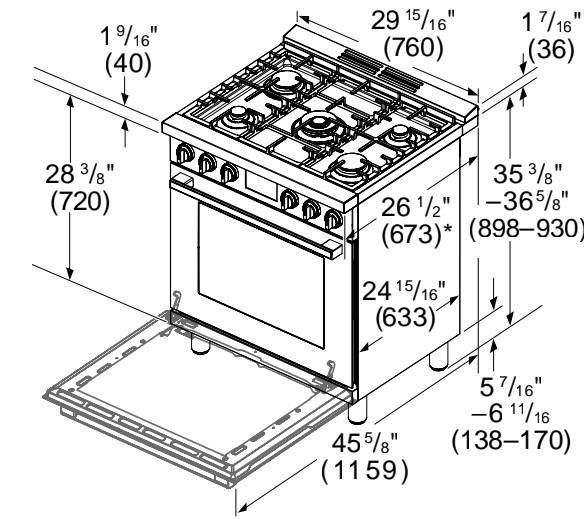
Black  
Stainless Steel

Stainless Steel

	Gas	Dual-Fuel
	HGS8055UC – Stainless Steel HGS8045UC – Black Stainless Steel	HDS8055U – Stainless Steel HDS8045U – Black Stainless Steel
<b>General Properties</b>		
Cooking modes	Bake, Convection Bake, Broil	Bake, Convection Bake, Broil, Convection Broil, Convection Roast, Pizza, Proof, Multi-rack Genuine European Convection, Sabbath Mode, Temperature Probe
Cleaning type	Catalytic Clean Coating	Catalytic Clean Coating
Type of grate	Cast iron	Cast iron
Knob material	Metal	Metal
Interior light	1	1
Kitchen timer	Yes	Yes
Sealed burners	Yes	Yes
<b>Oven Performance</b>		
Bake / broil burner power BTU	17,000 / 11,500 BTU	Not available
Bake / broil element watts (W)	Not available	1,700 / 2,900 W
Convection element watts (W)	Not available	2,700 W
<b>Burner Performance</b>		
Total number of cooktop burners	5	5
Total cooktop (NG / LP) BTU	48,000 / 48,000	48,000 / 48,000
Power of front left burner (NG / LP) BTU	5,000 / 5,000	5,000 / 5,000
Power of back left burner (NG / LP) BTU	10,000 / 10,000	10,000 / 10,000
Power of center burner (NG / LP) BTU	18,000 / 18,000	18,000 / 18,000
Power of back right burner (NG / LP) BTU	5,000 / 5,000	5,000 / 5,000
Power of front right burner (NG / LP) BTU	10,000 / 10,000	10,000 / 10,000
<b>Technical Details</b>		
Circuit breaker (A)	15 A	20 A
Volts (V)	120 V	208V / 240V
Frequency (Hz)	60 Hz	60 Hz
Plug type	US 3-prong	Not available
Cord length (in.)	59" with plug	Not available
Energy source	Gas	Mixed Electric / Gas
Gas type	Natural gas 14.9 mbar (USA) [7" WC]	Natural gas 14.9 mbar (USA) [7" WC]
Alternative gas type	LP 27.4 mbar (USA) [11" WC]	LP 27.4 mbar (USA) [11" WC]
<b>Dimensions &amp; Weight</b>		
Overall appliance dimensions (HxWxD) (in.)	36" x 29 15/16" x 24 15/16" (26 1/2" with bull nose)	36" x 29 15/16" x 24 15/16" (26 1/2" with bull nose)
Required cutout size (HxWxD) (in.)	36" x 30" x 25"	36" x 30" x 25"
Adjustable range height (in.)	35 3/8" Min. – 36 5/8" Max.	35 3/8" Min. – 36 5/8" Max.
Oven cavity size (cu. ft.)	3.6	3.9
Overall oven interior dimensions (HxWxD) (in.)	17 3/8" x 24 1/3" x 18 3/8"	17 3/8" x 24 1/3" x 18 3/8"
Usable oven interior dimensions (HxWxD) (in.)	17" x 24 3/16" x 17 5/32"	17 5/16" x 22 13/16" x 17 1/8"
Net weight (lbs)	193 lbs	195 lbs

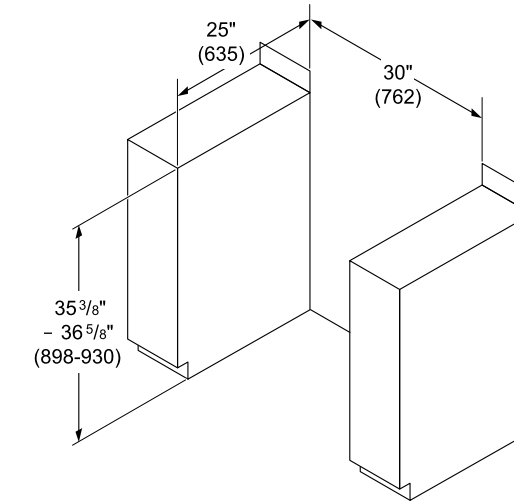
# 800 Series Industrial Style Gas & Dual-Fuel Ranges

## Industrial Style Range Dimensions

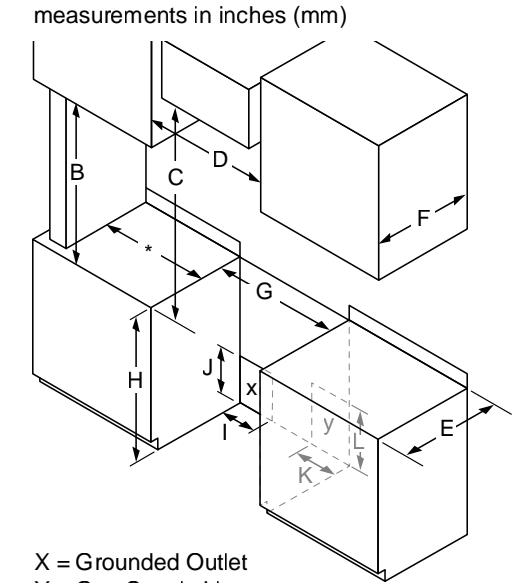


\* Front of Bull Nose to Back Wall Spacer

## Industrial Style Range Cutout Dimensions



## Industrial Style Range Installation



X = Grounded Outlet  
Y = Gas Supply Line

- B minimum 18" (457 mm)
- C minimum 30" (762 mm) clearance between the top of the cooking surface and the bottom of the unprotected wood or metal cabinet
- D 30": minimum 30" (762 mm)  
36": minimum 36" (914 mm)
- E minimum 25" (635 mm)
- F maximum 13" (330 mm)
- G 30": minimum 30" (762 mm)  
36": minimum 36" (914 mm)  
Zero clearance between adjacent combustible construction below the countertop surface and sides of the appliance.
- H 35 6/16 - 36 10/16 (898 - 930 mm)
- I 11" (279 mm)
- J 7" (178 mm)
- K 6" (150 mm)
- L 11" (279 mm)

\* Minimum clearance of  $\geq 12"$  (305 mm) on one and  $\geq 28"$  (711 mm) on the other side from cutout to side walls.

## Accessories – Included (Gas and Dual Fuel)

Use and care manual, installation guide, LP conversion kit, 2 standard racks

## Optional Accessories

HEZ9GR41UC Griddle	HEZ9YZ30UC 30" Low Backguard Stainless Steel	HEZ9ZZ30UC 30" Rear Vent Trim Extension Stainless Steel	HEZ9YZ04UC Side Panel Extension Kit Stainless Steel
HEZ9GW23UC Wok Ring	HEZ8YZ30UC 30" Low Backguard Black Stainless Steel	HEZ8ZZ30UC 30" Rear Vent Trim Extension Black Stainless Steel	HEZ8YZ04UC Side Panel Extension Kit Black Stainless Steel



# 800 Series Industrial Style Gas & Dual-Fuel Ranges



36" Gas 800 Series  
HGS8655UC (Stainless Steel)  
HGS8645UC (Black Stainless Steel)

- Commercial Design with 6 Burners
- 18,000 BTU Dual Flame Ring Power Burner
- Dishwasher-safe Grates
- Quiet Close Door
- Telescopic Rack

Black  
Stainless Steel



36" Dual-Fuel 800 Series  
HDS8655U (Stainless Steel)  
HDS8645U (Black Stainless Steel)

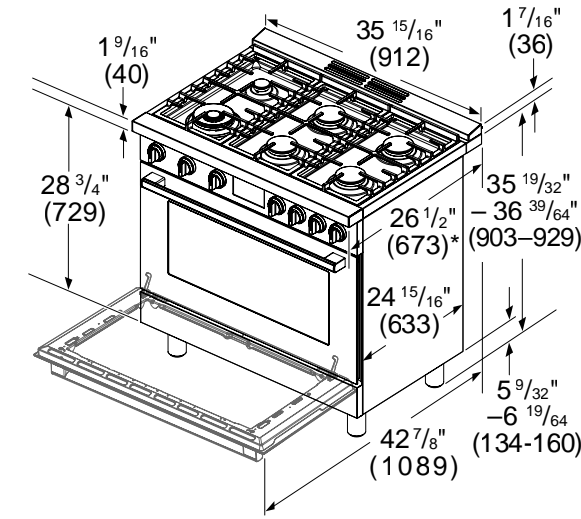
- Commercial Design with 6 Burners
- 18,000 BTU Dual Flame Ring Power Burner
- Dishwasher-safe Grates
- Quiet Close Door
- Telescopic Rack
- Multi-Rack Genuine European Convection
- Temperature Probe

Stainless Steel

	Gas	Dual-Fuel
	HGS8655UC – Stainless Steel HGS8645UC – Black Stainless Steel	HDS8655U – Stainless Steel HDS8645U – Black Stainless Steel
<b>General Properties</b>		
Cooking modes	Bake, Convection Bake, Broil	Bake, Convection Bake, Broil, Convection Broil, Convection Roast, Pizza, Proof, Multi-rack Genuine European Convection, Sabbath Mode, Temperature Probe
Cleaning type	Catalytic Clean Coating	Catalytic Clean Coating
Type of grate	Cast iron	Cast iron
Knob material	Metal	Metal
Interior light	1	1
Kitchen timer	Yes	Yes
Sealed burners	Yes	Yes
<b>Oven Performance</b>		
Bake / broil burner power BTU	17,000 / 14,000 BTU	Not available
Bake / broil element watts (W)	Not available	1,700 / 2,900 W
Convection element watts (W)	Not available	2,500 W
<b>Burner Performance</b>		
Total number of cooktop burners	6	6
Total cooktop (NG / LP) BTU	63,000 / 63,000	63,000 / 63,000
Power of front left burner (NG / LP) BTU	18,000 / 18,000	18,000 / 18,000
Power of back left burner (NG / LP) BTU	5,000 / 5,000	5,000 / 5,000
Power of back center burner (NG / LP) BTU	10,000 / 10,000	10,000 / 10,000
Power of front center burner (NG / LP) BTU	10,000 / 10,000	10,000 / 10,000
Power of back right burner (NG / LP) BTU	10,000 / 10,000	10,000 / 10,000
Power of front right burner (NG / LP) BTU	10,000 / 10,000	10,000 / 10,000
<b>Technical Details</b>		
Circuit breaker (A)	15 A	20 A
Volts (V)	120 V	208V / 240V
Frequency (Hz)	60 Hz	60 Hz
Plug type	US 3-prong	Not available
Cord length (in.)	59" with plug	Not available
Energy source	Gas	Mixed Electric / Gas
Gas type	Natural gas 14.9 mbar (USA) [7" WC]	Natural gas 14.9 mbar (USA) [7" WC]
Alternative gas type	LP 27.4 mbar (USA)[11" WC]	LP 27.4 mbar (USA) [11" WC]
<b>Dimensions &amp; Weight</b>		
Overall appliance dimensions (HxWxD) (in.)	36" x 35 15/16" x 24 15/16" (26 1/2" with bull nose)	36" x 35 15/16" x 24 15/16" (26 1/2" with bull nose)
Required cutout size (HxWxD) (in.)	36" x 36" x 25"	36" x 36" x 25"
Adjustable range height (in.)	35 19/32" Min. – 36 39/64" Max.	35 19/32" Min. – 36 39/64" Max.
Oven cavity size (cu. ft.)	3.4	3.7
Overall oven interior dimensions (HxWxD) (in.)	15" x 28 7/16" x 17 11/16"	15 1/32" x 28 7/16" x 17 9/16"
Usable oven interior dimensions (HxWxD) (in.)	15" x 28 11/32" x 17 11/16"	14 9/16" x 26 15/16" x 16 1/8"
Net weight (lbs)	207 lbs	219 lbs

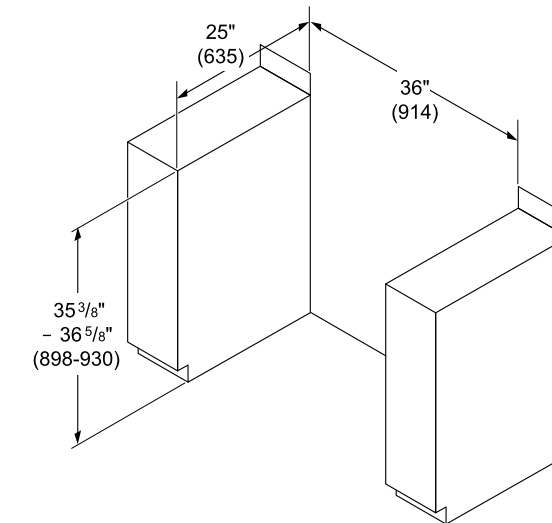
# 800 Series Industrial Style Gas & Dual-Fuel Ranges

## Industrial Style Range Dimensions



\* Front of Bull Nose to Back Wall Spacer

## Industrial Style Range Cutout Dimensions



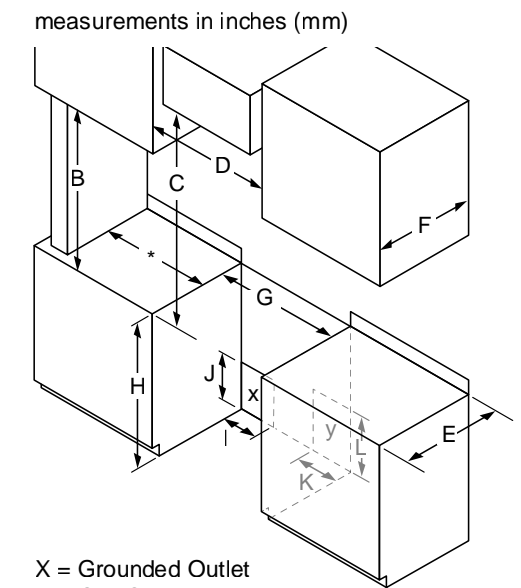
## Accessories – Included (Gas and Dual Fuel)

Use and care manual, installation guide, LP conversion kit, 1 standard rack, 1 telescopic rack

## Optional Accessories



## Industrial Style Range Installation



X = Grounded Outlet  
Y = Gas Supply Line

- B minimum 18" (457 mm)
- C minimum 30" (762 mm) clearance between the top of the cooking surface and the bottom of the unprotected wood or metal cabinet
- D 30": minimum 30" (762 mm)  
36": minimum 36" (914 mm)
- E minimum 25" (635 mm)
- F maximum 13" (330 mm)
- G 30": minimum 30" (762 mm)  
36": minimum 36" (914 mm)
- Zero clearance between adjacent combustible construction below the countertop surface and sides of the appliance.
- H 35 6/16 - 36" 10/16 (898 - 930 mm)
- I 11" (279 mm)
- J 7" (178 mm)
- K 6" (150 mm)
- L 11" (279 mm)

\* Minimum clearance of >= 12" (305 mm) on one and >= 28" (711 mm) on the other side from cutout to side walls.





# Ventilation

Bosch's inventive ventilation systems keep mealtime fresh by quietly clearing the air of grease, steam, smoke, and odors while you cook. They're beautifully designed to seamlessly integrate into any kitchen with under-the-cabinet, chimney, island, pull-out, and downdraft styles. These easy-to-clean ventilation systems come with automated features to make maintenance and operation a breeze. You'll breathe easier knowing that smoke, steam, grease, and odors are quietly and effectively taken care of.





# Benchmark® Series Ventilation

include these exclusive features:



**Sculpted in steel and glass**, our Benchmark® Series wall-mounted chimney hoods add style and sophistication to the kitchen. No matter your needs, Bosch has an elegant solution.



The Benchmark® Series glass canopy chimney hood is only 2.5 sones at the lowest setting, so you can enjoy **peaceful cooking** with no distracting noise.













With **600 CFM of power**, our Benchmark® Series glass canopy chimney wall hood meets the ventilation requirements of any Bosch cooktop or range, and can convert to recirculation for installations that are hard to duct or for areas with makeup air restrictions. These highly effective vents quickly clear the air of grease, steam, smoke, and odor.









# Ventilation Selection Guide

✓ = Design Match

✓ = Viable Option

		Cooktops			
					
		24-Inch Electric & Gas	30-Inch Electric & Induction	36-Inch Electric & Induction	30-Inch Gas
Chimney Wall Hoods					
	24-Inch HCP34E52UC	✓			
	30-Inch HCP30E52UC	✓	✓		✓
	30-Inch HCP50652UC		✓		✓
	30-Inch HCP80641UC		✓		✓
	30-Inch HCB50651UC		✓		✓
	36-Inch HCG56651UC		✓	✓	✓
	36-Inch HCP36E52UC		✓	✓	✓
	36-Inch HCP56652UC		✓	✓	✓
	36-Inch HCB56651UC		✓	✓	✓
	36-Inch HCP86642UC		✓	✓	✓
Under-Cabinet Range Hoods					
	30-Inch DUH30152UC	✓	✓		✓
	30-Inch DUH30252UC		✓		✓
	30-Inch DPH30652UC		✓		✓
	36-Inch DUH36152UC		✓	✓	✓
	36-Inch DUH36252UC		✓	✓	✓
	36-Inch DPH36652UC		✓	✓	✓
Island Hood					
	42-Inch HIB82651UC		✓	✓	✓
Custom Insert Hoods					
	21-Inch HUI31451UC	✓			
	29-Inch DHL755BUC	✓	✓		✓
Downdrafts					
	30-Inch HDD80051UC		✓		✓
	36-Inch HDD86051UC			✓	
Pull-Out Hoods					
	24-Inch HUI54452UC	✓			
	30-Inch HUI50351UC	✓	✓		✓
	36-Inch HUI56551UC		✓	✓	✓

# Ventilation Selection Guide

Cooktops	Rangetops	Slide-In Ranges	Industrial Style Ranges		
					
36-Inch Gas	30-Inch Gas	36-Inch Gas	Electric, Induction, Gas & Dual-Fuel	30-Inch Gas & Dual-Fuel	36-Inch Gas & Dual-Fuel
			✓	✓	
	✓		✓	✓	
	✓		✓	✓	
	✓		✓	✓	
✓	✓	✓	✓	✓	✓
✓			✓	✓	✓
✓	✓	✓	✓	✓	✓
✓	✓	✓	✓	✓	✓
			✓	✓	
	✓		✓	✓	
✓			✓	✓	✓
✓	✓	✓	✓	✓	✓
			✓	✓	
			✓	✓	
✓			✓	✓	✓



# Benchmark® Series 36" Chimney Wall Hood



36" Benchmark® Series  
Glass Canopy Chimney Hood  
HCG56651UC

- 600 CFM
- 2 Halogen Lights
- Stainless Steel Filters with Metal Latch
- 9 ft.–11.5 ft. Duct Cover Extension Accessory

## 36" Glass Canopy Chimney Hood Stainless Steel – HCG56651UC

General Properties	
Operating mode	Convertible: ducted / recirculating
Maximum CFM	600 CFM
Sones	10.13 HS / 2.46 WS
Number of speed settings	4-stage
Motor location	Integrated motor in hood chimney
Number and type of lights	2 Halogen
Light lumens	360
Light color (°K)	3000
Total power of the lamps (W)	80 W
Damper included	Yes
Grease filter material	Washable stainless steel
Grease filter type	Multilayer cassette
Technical Details	
Volts (V)	120 V
Frequency (Hz)	60 Hz
Plug type	No plug
Dimensions & Weight	
Overall appliance dimensions (width of canopy included) (HxWxD) (in.)	27 7/16" x 42 3/8" / 27 7/16" x 46 5/16" / 35 7/8" x 19 11/16"
Height of the chimney (in.)	25 7/8" x 40 13/16" / 25 7/8" x 44 3/4"
Required distance above cooktop / range cooking surface	Min. 24" electric / 27" gas
Diameter of air duct (in.) top	8"
Net weight (lbs)	54 lbs

### Optional Accessories



HCGEXT5UC  
Chimney Extension for  
9–11.5 ft. Ceilings for  
Use with HCG56651UC



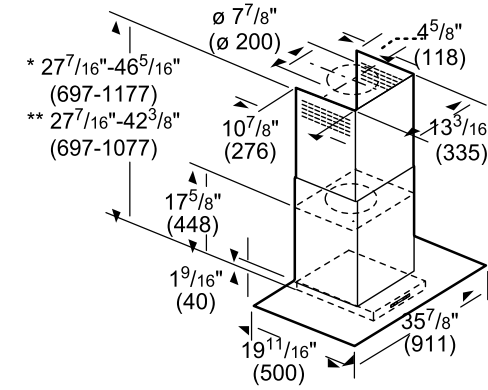
HCIFILTUC  
Filter Kit



HCREC5UC  
Recirculation Kit  
for HCG56651UC

# Benchmark® Series 36" Chimney Wall Hood

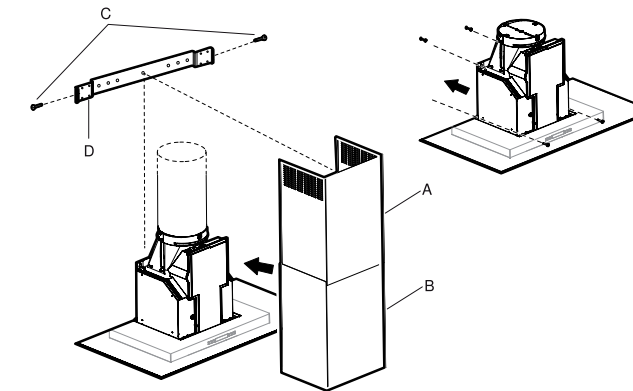
## 36" Glass Canopy Chimney Hood



- \* Recirculating installation
- \*\* Ducted installation

Installation height above cooking surface:  
24"-34" (610 mm-864 mm) to Electric  
27"-34" (686 mm-864 mm) to Gas.

measurements in inches (mm)



- A Upper flue duct
- B Lower flue duct
- C Screws
- D Angle bracket



# 300 / 500 Series 24" / 30" Chimney Wall Hoods



24" 300 Series  
Pyramid Canopy Chimney Hood  
HCP34E52UC

- 300 CFM
- ENERGY STAR® Qualified
- 2 LED Lights
- Aluminum Mesh Filters
- 9 ft.–11.5 ft. Duct Cover Extension Accessory



30" 300 Series  
Pyramid Canopy Chimney Hood  
HCP30E52UC

- 300 CFM
- ENERGY STAR® Qualified
- 2 LED Lights
- Aluminum Mesh Filters
- 9 ft.–11.5 ft. Duct Cover Extension Accessory



30" 500 Series  
Pyramid Canopy Chimney Hood  
HCP50652UC

- 600 CFM
- 2 LED Lights
- Home Connect
- Aluminum Mesh Filters
- 9 ft.–11.5 ft. Duct Cover Extension Accessory



+ Indicates a step-up feature

	24" Pyramid Canopy Stainless Steel – HCP34E52UC	30" Pyramid Canopy Stainless Steel – HCP30E52UC	30" Pyramid Canopy Stainless Steel – HCP50652UC
<b>General Properties</b>			
Operating mode	Convertible: ducted / recirculating	Convertible: ducted / recirculating	Convertible: ducted / recirculating
Maximum CFM	300 CFM	300 CFM	600 CFM
Sones	5.5 HS / 1.3 WS	5.5 HS / 1.3 WS	10.5 HS / 2.3 WS
Number of speed settings	3-stage	3-stage	4-stage
Motor location	Integrated motor in hood chimney	Integrated motor in hood chimney	Integrated motor in hood chimney
Number and type of lights	2 LED	2 LED	2 LED
Light lumens	500	500	100 – 150
Light color (°K)	2700 – 3000	2700 – 3000	3500 – 4000
Total power of the lamps (W)	13 W	13 W	6 W
Damper included	Yes	Yes	Yes
Grease filter material	Aluminum	Aluminum	Aluminum
Grease filter type	Multilayer cassette	Multilayer cassette	Multilayer cassette
<b>Technical Details</b>			
Volts (V)	120 V	120 V	120 V
Frequency (Hz)	60 Hz	60 Hz	60 Hz
Plug type	No plug	No plug	No plug
<b>Dimensions &amp; Weight</b>			
Overall appliance dimensions (width of canopy included) (HxWxD) (in.)	24 9/16" – 38 7/8" / 28 1/4" – 42 9/16" x 24" x 19 11/16"	24 9/16" – 38 7/8" / 28 1/4" – 42 9/16" x 30" x 19 11/16"	24 9/16" – 38 7/8" / 28 1/4" – 42 9/16" x 30" x 19 11/16"
Height of the chimney (in.)	19 9/16" – 33 7/8" / 23 1/4" – 42 9/16"	19 9/16" – 33 7/8" / 23 1/4" – 42 9/16"	19 9/16" – 33 7/8" / 23 1/4" – 42 9/16"
Required distance above cooktop / range cooking surface	Min. 24" electric / 27" gas	Min. 24" electric / 27" gas	Min. 30" electric / 30" gas
Diameter of air duct (in.) top	8"	8"	8"
Net weight (lbs)	49 lbs	49 lbs	49 lbs

**Optional Accessories**



HCPEXT5UC  
Chimney Extension for  
9–11.5 ft. ceilings



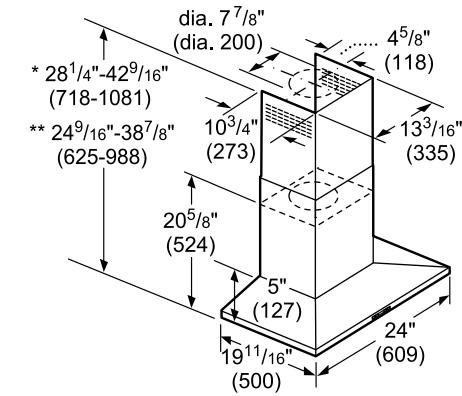
HCIFILTUC  
Filter Kit



HCREC5UC  
Recirculation Kit

# 300 / 500 Series 24" / 30" Chimney Wall Hoods

## 24" HCP34E52UC Pyramid Canopy Chimney Hood

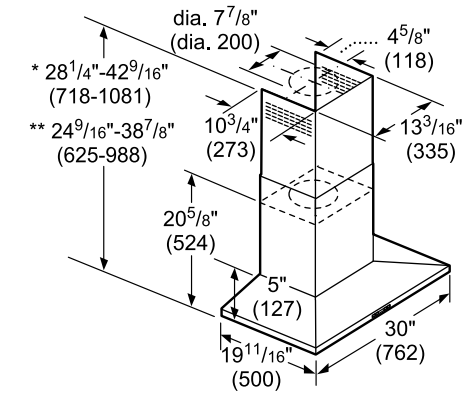


- \* Recirculating installation
- \*\* Installation with exhaust air duct

Installation height above cooking surface:  
24"-34" (610 mm-864 mm) for electric  
27"-34" (686 mm-864 mm) for gas

measurements in inches (mm)

## 30" HCP30E52UC Pyramid Canopy Chimney Hood

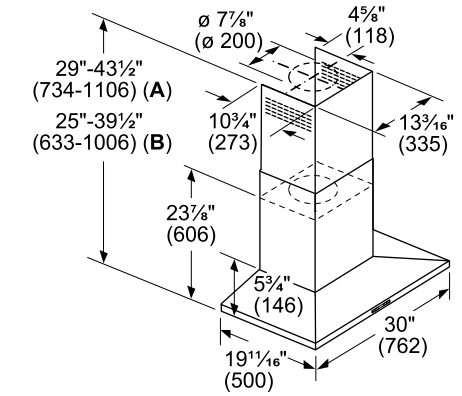


- \* Recirculating installation
- \*\* Installation with exhaust air duct

Installation height above cooking surface:  
24"-34" (610 mm-864 mm) for electric  
27"-34" (686 mm-864 mm) for gas

measurements in inches (mm)

## 30" HCP50652UC Pyramid Canopy Chimney Hood

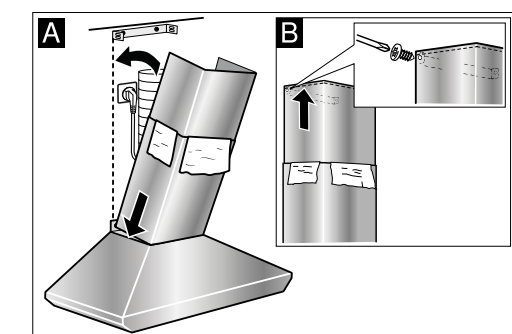


- A: Recirculating installation
- B: Ducted installation

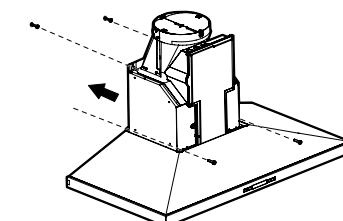
Installation height above cooking surface:  
30"-36" (762 mm-914 mm) to Electric  
30"-36" (762 mm-914 mm) to Gas

measurements in inches (mm)

## 24" and 30" Pyramid Canopy Chimney Hoods



- A Lower flue duct
- B Upper flue duct



# 500 / 800 Series 30" Chimney Wall Hoods



**30" 500 Series**  
Box Canopy Chimney Hood  
HCB50651UC

- + 600 CFM
- + 2 Halogen Lights
- + Stainless Steel Filters with Metal Latch
- + 9 ft.–11.5 ft. Duct Cover Extension Accessory



**30" 800 Series**  
Pyramid Canopy Chimney Hood  
HCP80641UC

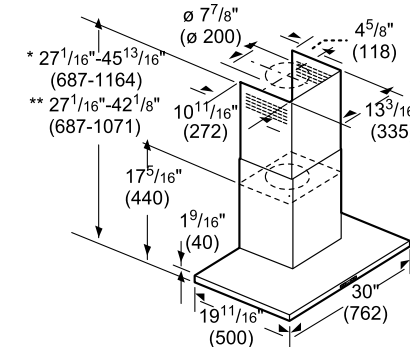
- 600 CFM
- + 2 Halogen Lights
- + Aluminum Mesh Filters
- 9 ft.–11.5 ft. Duct Cover Extension Accessory
- Black Stainless Steel Helps Guard Against Scratches and Fingerprints

+ Indicates a step-up feature

	30" Box Canopy 500 Series Stainless Steel – HCB50651UC	30" Pyramid Canopy 800 Series Black Stainless Steel – HCP80641UC
<b>General Properties</b>		
Operating mode	Convertible: ducted / recirculating	Convertible: ducted / recirculating
Maximum CFM	600 CFM	600 CFM
Sones	8.6 HS / 1.7 WS	9.9 HS / 4.56 WS
Number of speed settings	4-stage	4-stage
Motor location	Integrated motor in hood chimney	Integrated motor in hood chimney
Number and type of lights	2 Halogen	2 Halogen
Light lumens	360	360
Light color (°K)	3000	3000
Total power of the lamps (W)	80 W	80 W
Damper included	Yes	Yes
Grease filter material	Washable stainless steel	Aluminum
Grease filter type	Multilayer cassette	Multilayer cassette
<b>Technical Details</b>		
Volts (V)	120 V	120 V
Frequency (Hz)	60 Hz	60 Hz
Plug type	No plug	No plug
<b>Dimensions &amp; Weight</b>		
Overall appliance dimensions (width of canopy included) (HxWxD) (in.)	27 1/16" x 42 1/8" / 27 1/16" x 45 13/16" / 30" x 19 11/16"	24 9/16" – 38 7/8" / 28 1/4" – 42 9/16" x 30" x 19 11/16"
Height of the chimney (in.)	25 1/2" x 40 9/16" / 25 1/2" x 44 1/4"	19 9/16" – 33 7/8" / 23 1/4" – 42 9/16"
Required distance above cooktop / range cooking surface	Min. 24" electric / 27" gas	Min. 24" electric / 27" gas
Diameter of air duct (in.) top	8"	8"
Net weight (lbs)	54 lbs	49 lbs

# 500 / 800 Series 30" Chimney Wall Hoods

**30" HCB50651UC**  
Box Canopy Chimney Hood

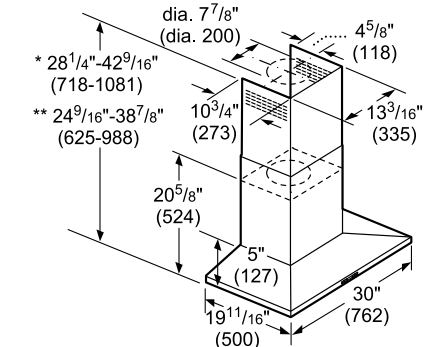


\* Recirculating installation  
\*\* Ducted installation

Installation height above cooking surface:  
24"-34" (610 mm-864 mm) to Electric  
27"-34" (686 mm-864 mm) to Gas

measurements in inches (mm)

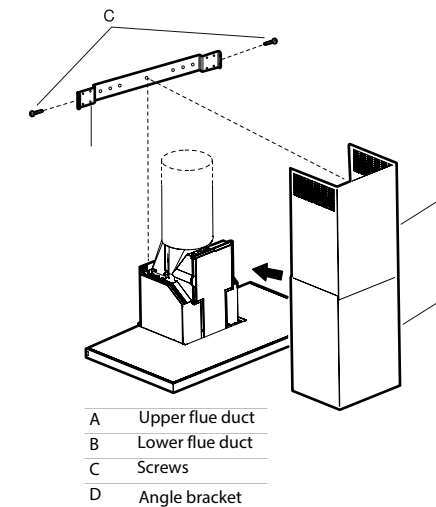
**30" HCP80641UC**  
Pyramid Canopy Chimney Hood



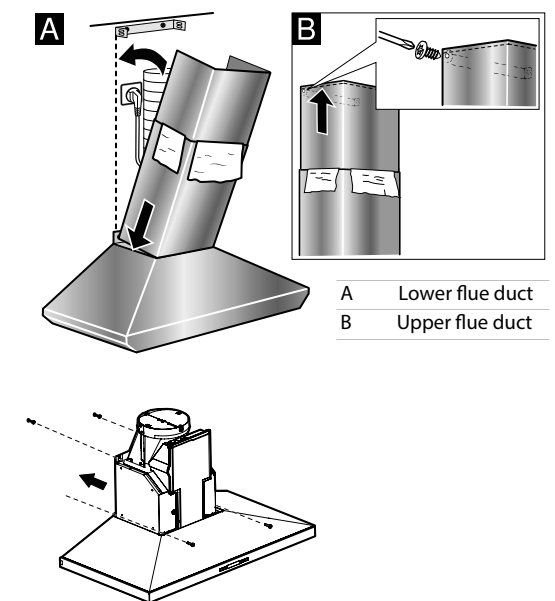
\* Recirculating installation  
\*\* Installation with exhaust air duct

Installation height above cooking surface:  
24"-34" (610 mm-864 mm) for electric  
27"-34" (686 mm-864 mm) for gas

measurements in inches (mm)



- A Upper flue duct
- B Lower flue duct
- C Screws
- D Angle bracket



- A Lower flue duct
- B Upper flue duct

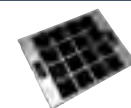
**Optional Accessories**



**HCBEXT5UC**  
Chimney Extension for 9–11.5 ft. ceilings for use with HCB50651UC



**HCPEXT4UC**  
Chimney Extension for 9–11.5 ft. ceilings for use with HCP80641UC & HCP86641UC



**HCIFILTUC**  
Filter Kit



**HCREC5UC**  
Recirculation Kit





# 300 / 500 Series 36" Chimney Wall Hoods



**36" 300 Series**  
Pyramid Canopy Chimney Hood  
HCP36E52UC

- 300 CFM
- ENERGY STAR® Qualified
- 2 LED Lights
- Aluminum Mesh Filters
- 9 ft.–11.5 ft. Duct Cover Extension Accessory



**36" 500 Series**  
Pyramid Canopy Chimney Hood  
HCP56652UC

- + 600 CFM
- + 2 LED Lights
- + Home Connect
- Aluminum Mesh Filters
- 9 ft.–11.5 ft. Duct Cover Extension Accessory



**36" 500 Series**  
Box Canopy Chimney Hood  
HCB56651UC

- + 600 CFM
- + 2 Halogen Lights
- + Stainless Steel Filters with Metal Latch
- 9 ft.–11.5 ft. Duct Cover Extension Accessory

+ Indicates a step-up feature

36" Pyramid Canopy 300 Series	36" Pyramid Canopy 500 Series	36" Box Canopy 500 Series
Stainless Steel – HCP36E52UC	Stainless Steel – HCP56652UC	Stainless Steel – HCB56651UC

General Properties			
Operating mode	Convertible: ducted / recirculating	Convertible: ducted / recirculating	Convertible: ducted / recirculating
Maximum CFM	300 CFM	600 CFM	600 CFM
Sones	5.5 HS / 1.3 WS	10.8 HS / 2.5 WS	8.6 HS / 1.7 WS
Number of speed settings	3-stage	4-stage	4-stage
Motor location	Integrated motor in hood chimney	Integrated motor in hood chimney	Integrated motor in hood chimney
Number and type of lights	2 LED	2 LED	2 Halogen
Light lumens	500	100 – 150	360
Light color (°K)	3000	3500 – 4000	3000
Total power of the lamps (W)	13 W	3 W	80 W
Damper included	Yes	Yes	Yes
Grease filter material	Aluminum	Aluminum	Washable stainless steel
Grease filter type	Multilayer cassette	Multilayer cassette	Multilayer cassette
Technical Details			
Volts (V)	120 V	120 V	120 V
Frequency (Hz)	60 Hz	60 Hz	60 Hz
Plug type	No plug	No plug	No plug
Dimensions & Weight			
Overall appliance dimensions (width of canopy included) (HxWxD) (in.)	24 9/16" – 38 7/8" / 28 1/4" – 42 9/16" x 36" x 19 11/16"	25" – 39 1/2" / 29" – 43 1/2" x 36" x 19 11/16"	27 1/16" x 42 1/8" / 27 1/16" x 45 13/16" / 36" x 19 11/16"
Height of the chimney (in.)	19 9/16" – 33 7/8" / 23 1/4" – 42 9/16"	19 9/16" – 33 7/8" / 23 1/4" – 42 9/16"	25 1/2" x 40 9/16" / 25 1/2" x 44 1/4"
Required distance above cooktop / range cooking surface	Min. 24" electric / 27" gas	Min. 30" electric / 30" gas	Min. 24" electric / 27" gas
Diameter of air duct (in.) top	8"	8"	8"
Net weight (lbs)	53 lbs	53 lbs	54 lbs

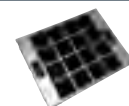
### Optional Accessories



**HCPEXT5UC**  
Chimney Extension for 9–11.5 ft. ceilings for use with HCP36E52UC and HCP56652UC



**HCBEXT5UC**  
Chimney Extension for 9–11.5 ft. ceilings for use with HCB56651UC



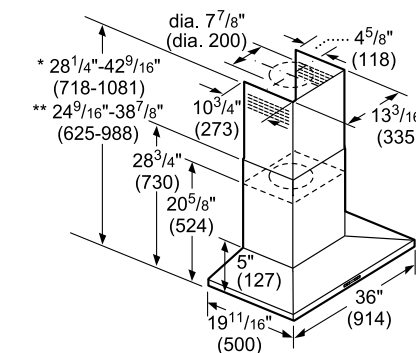
**HCIFILTUC**  
Filter Kit



**HCREC5UC**  
Recirculation Kit

# 300 / 500 Series 36" Chimney Wall Hoods

**36" HCP36E52UC**  
Pyramid Canopy Chimney Hood

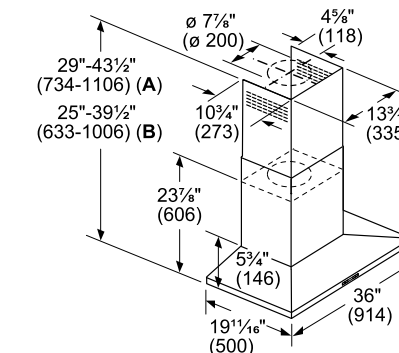


- \* Recirculating installation
- \*\* Installation with exhaust air duct

Installation height above cooking surface:  
24"-34" (610 mm-864 mm) for electric  
27"-34" (686 mm-864 mm) for gas

measurements in inches (mm)

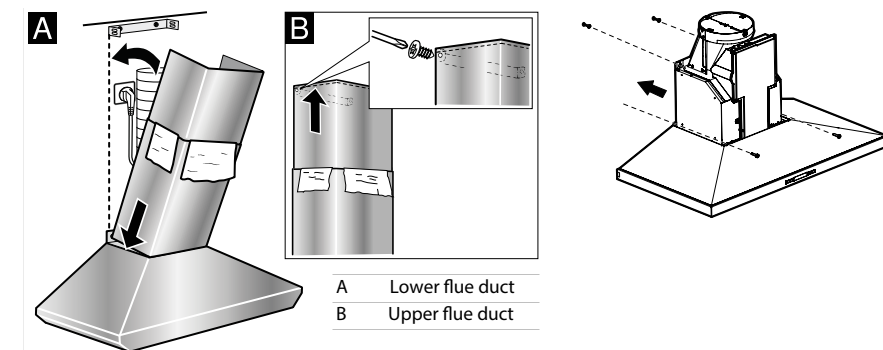
**36" HCP56652UC**  
Pyramid Canopy Chimney Hood



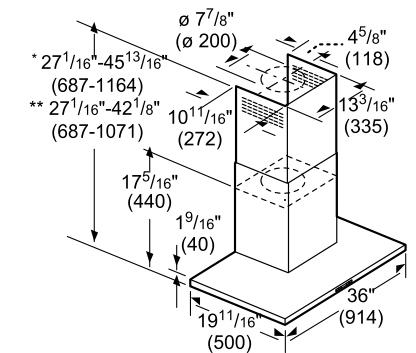
- A: Recirculating installation
- B: Ducted installation

Installation height above cooking surface:  
30"-36" (762 mm-914 mm) to Electric  
30"-36" (762 mm-914 mm) to Gas

measurements in inches (mm)



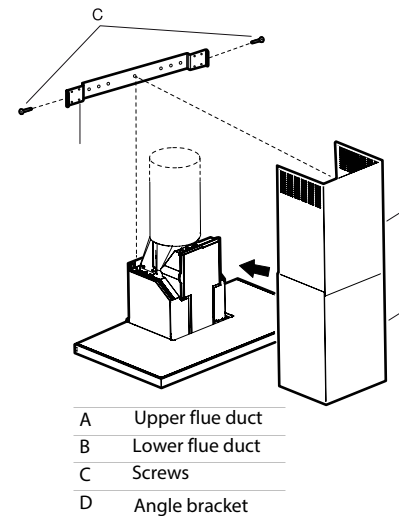
**36" HCB56651UC**  
Box Canopy Chimney Hood



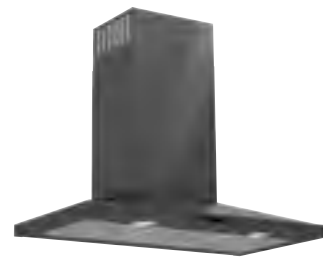
- \* Recirculating installation
- \*\* Ducted installation

Installation height above cooking surface:  
24"-34" (610 mm-864 mm) to Electric  
27"-34" (686 mm-864 mm) to Gas

measurements in inches (mm)



# 800 Series 36" Chimney Wall Hood



36" 800 Series  
Pyramid Canopy Chimney Hood  
HCP86641UC

- 600 CFM
- + 2 Halogen Lights
- + Aluminum Mesh Filters
- 9 ft.–11.5 ft. Duct Cover Extension Accessory
- Black Stainless Steel Helps Guard Against Scratches and Fingerprints

+ Indicates a step-up feature

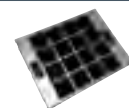
**36" Pyramid Canopy  
800 Series**  
Black Stainless Steel – HCP86641UC

General Properties	
Operating mode	Convertible: ducted / recirculating
Maximum CFM	600 CFM
Sones	9.9 HS / 4.56 WS
Number of speed settings	4-stage
Motor location	Integrated motor in hood chimney
Number and type of lights	2 Halogen
Light lumens	360
Light color (°K)	3000
Total power of the lamps (W)	80 W
Damper included	Yes
Grease filter material	Aluminum
Grease filter type	Multilayer cassette
Technical Details	
Volts (V)	120 V
Frequency (Hz)	60 Hz
Plug type	No plug
Dimensions & Weight	
Overall appliance dimensions (width of canopy included) (HxWxD) (in.)	24 9/16" – 38 7/8" / 28 1/4" – 42 9/16" x 36" x 19 11/16"
Height of the chimney (in.)	19 9/16" – 33 7/8" / 23 1/4" – 42 9/16"
Required distance above cooktop / range cooking surface	Min. 24" electric / 27" gas
Diameter of air duct (in.) top	8"
Net weight (lbs)	49 lbs

### Optional Accessories



**HCPEXT4UC**  
Chimney Extension for 9–11.5 ft. ceilings  
for use with HCP80641UC & HCP86641UC



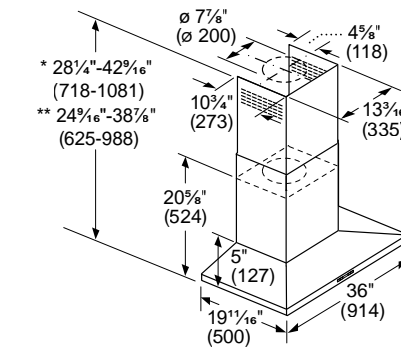
**HCIFILTUC**  
Filter Kit



**HCREC5UC**  
Recirculation Kit

# 800 Series 36" Chimney Wall Hood

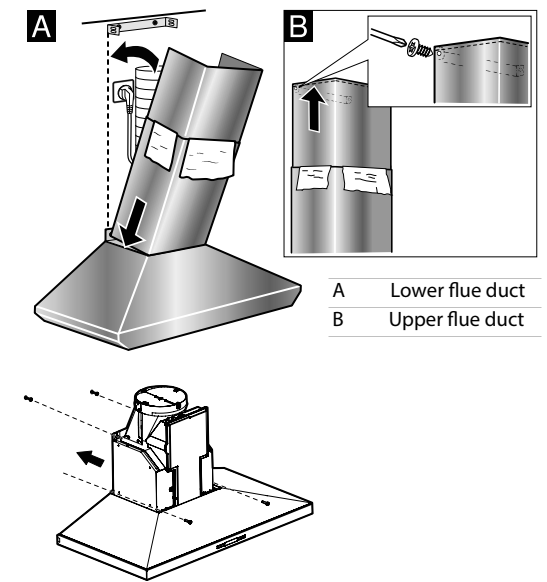
36" Pyramid Canopy Chimney Hood



- \* Recirculating installation
- \*\* Ducted installation

Installation height above cooking surface:  
24"-34" (610 mm-864 mm) to Electric  
27"-34" (686 mm-864 mm) to Gas

measurements in inches (mm)



# 800 Series 42" Island Hood



42" 800 Series  
Box Canopy Island Hood  
HIB82651UC

- 600 CFM
- 4 Halogen Lights
- Stainless Steel Filters with Metal Latch
- 9 ft.–11.5 ft. Duct Cover Extension Accessory

## 42" Box Canopy Island Hood

Stainless Steel – HIB82651UC

General Properties	
Operating mode	Convertible: ducted / recirculating
Maximum CFM	600 CFM
Sones	8.7 HS / 1.9 WS
Number of speed settings	4-stage
Motor location	Integrated motor in hood chimney
Number and type of lights	4 Halogen
Light lumens	360
Light color (°K)	3000
Total power of the lamps (W)	80 W
Damper included	Yes
Grease filter material	Washable stainless steel
Grease filter type	Multilayer cassette
Technical Details	
Volts (V)	120 V
Frequency (Hz)	60 Hz
Plug type	No plug
Dimensions & Weight	
Overall appliance dimensions (width of canopy included) (HxWxD) (in.)	29 13/16" – 45 5/16" / 29 13/16" – 50 5/16" x 42 1/16" x 27"
Height of the chimney (in.)	27 7/16" – 42 7/8" / 27 7/16" – 47 7/8"
Required distance above cooktop / range cooking surface	Min. 24" electric / 30" gas
Diameter of air duct (in.) top	8"
Net weight (lbs)	110 lbs

## Optional Accessories



HCIEXT5UC  
Chimney Extension for  
9–11.5 ft. ceilings for  
use with HIB82651UC



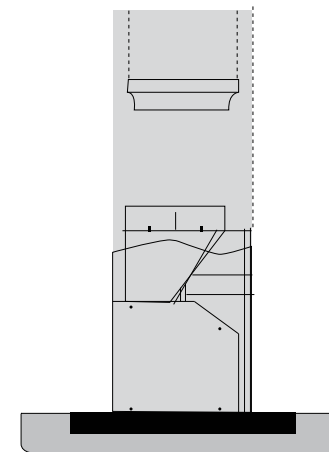
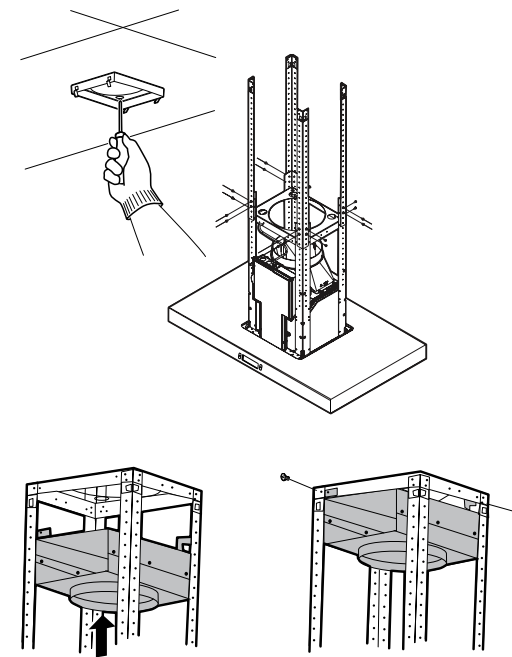
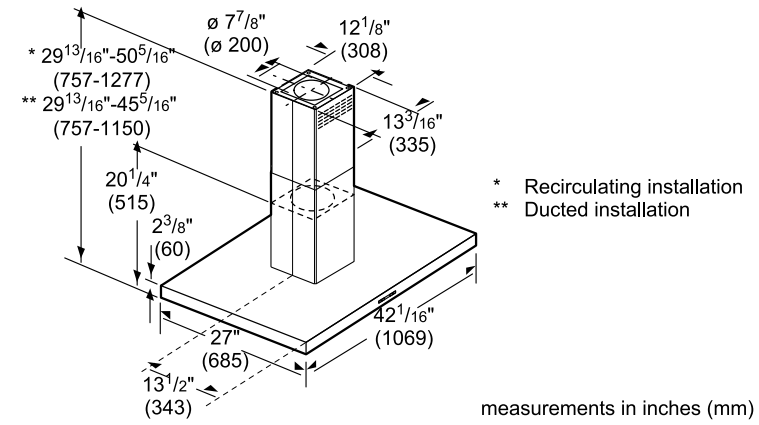
HCIFILTUC  
Filter Kit



HIREC5UC  
Recirculation Kit for HIB82651UC

# 800 Series 42" Island Hood

## 42" Box Canopy Island Hood



# 500 Series Pull-Out Hoods



24" 500 Series Pull-Out Hood HUI54452UC

- 400 CFM
- Electronic Control
- 2 LED Lights
- Convertible: Ducted / Recirculating



30" 500 Series Pull-Out Hood HUI50351UC

- 300 CFM
- Electronic Control
- 2 Halogen Lights
- Convertible: Ducted / Recirculating



36" 500 Series Pull-Out Hood HUI56551UC

- +500 CFM
- Electronic Control
- 2 Halogen Lights
- Convertible: Ducted / Recirculating

+ Indicates a step-up feature

	24"	30"	36"
	Stainless Steel – HUI54452UC	Stainless Steel – HUI50351UC	Stainless Steel – HUI56551UC
<b>General Properties</b>			
Operating mode	Convertible: ducted / recirculating	Convertible: ducted / recirculating	Convertible: ducted / recirculating
Maximum CFM	400 CFM	300 CFM	500 CFM
Sound Rating (HS / WS)	5.5 sones / 1.3 sones	65.3 dBA / 48 dBA	70.3 dBA / 53.8 dBA
Number of speed settings	4-stage	3-stage	3-stage
Motor location	Integrated motor in hood body	Integrated motor in hood body	Integrated motor in hood body
Number and type of lights	2 LED	2 Halogen (20 W)	2 Halogen (20 W)
Light lumens	235	320	320
Light color (°K)	3000	3000	3000
Total power of the lamps (W)	4.2 W	40 W	40 W
Damper included	Yes	Yes	Yes
Grease filter material	Aluminum	Aluminum	Aluminum
Grease filter type	Multilayer cassette	Multilayer cassette	Multilayer cassette
<b>Technical Details</b>			
Volts (V)	120 V	120 V	120 V
Frequency (Hz)	60 Hz	60 Hz	60 Hz
Plug type	120V-3 Prong	No plug	No plug
Power cord length (in.)	45 1/2"	50"	50"
<b>Dimensions &amp; Weight</b>			
Overall appliance dimensions (width of canopy included) (HxWxD) (in.)	11 13/16" x 23 9/16" x 11 13/16"	11 9/16" x 29 7/8" x 11"	11 9/16" x 35 7/8" x 11"
Required distance above cooktop / range cooking surface	Min. 24" electric / 29 1/2" gas	Min. 24" electric / 29 1/2" gas	Min. 24" electric / 29 1/2" gas
Diameter of air duct (in.) top	6"	6"	6"
Diameter of air duct (in.) back	N/A	6"	6"
Net weight (lbs)	24 lbs	26 lbs	32.5 lbs

**Optional Accessories**



HVREC5UC Recirculation Kit for use with HUI54452UC



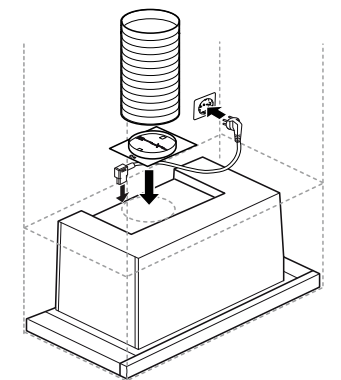
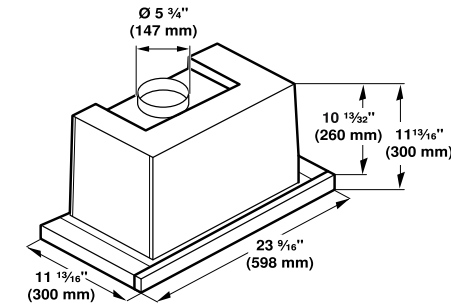
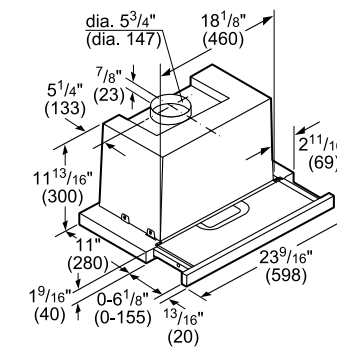
HUIF06UC Recirculation Kit for use with HUI50351UC and HUI56551UC



HUIRED56UC CFM Reducer Kit for use with HUI56551UC; Reduces CFM to under 300

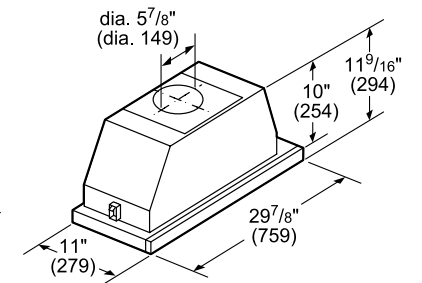
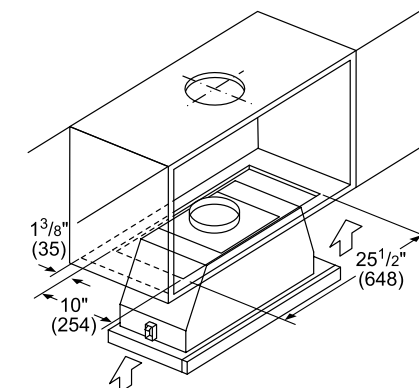
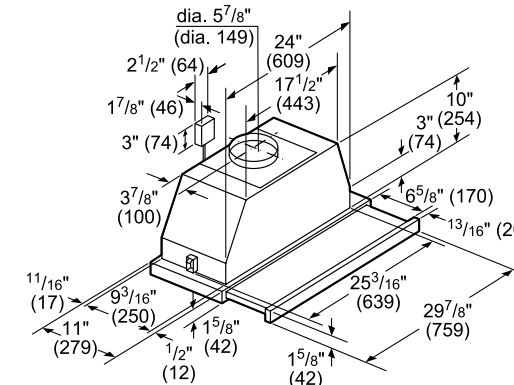
# 500 Series Pull-Out Hoods

## 24" HUI54452UC Pull-Out Hood



Installation height above cooking surface:  
24"-34" (610-864) to Electric  
29 1/2"-34" (750-864) to Gas.  
measurements in inches (mm)

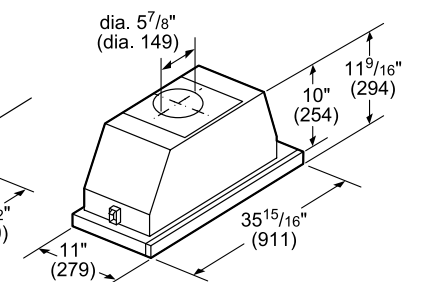
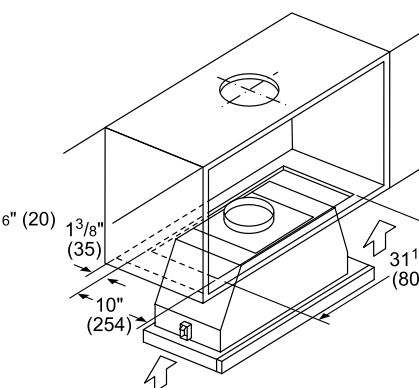
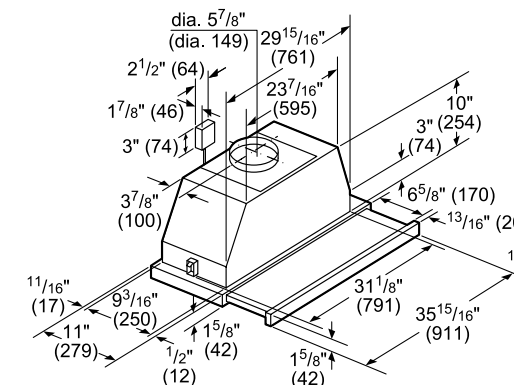
## 30" HUI50351UC Pull-Out Hood



Installation height above cooking surface:  
24"-34" (610-864) to Electric  
29 1/2"-34" (750-864) to Gas  
measurements in inches (mm)

measurements in inches (mm)

## 36" HUI56551UC Pull-Out Hood



Installation height above cooking surface:  
24"-34" (610-864) to Electric  
29 1/2"-34" (750-864) to Gas  
measurements in inches (mm)

measurements in inches (mm)



# 300 / 500 / 800 Series 30" Under-Cabinet Wall Hoods



30" 300 Series Under-Cabinet Wall Hood DUH30152UC

- 280 CFM
- Incandescent Lights
- Aluminum Mesh Filters
- Three Power Levels



30" 500 Series Under-Cabinet Wall Hood DUH30252UC

- + 400 CFM
- + Halogen Lights
- Aluminum Mesh Filters
- + Four Power Levels



30" 800 Series Under-Cabinet Wall Hood DPH30652UC

- + 600 CFM
- Incandescent Lights
- Aluminum Mesh Filters
- + Professional Design

+ Indicates a step-up feature

	300 Series	500 Series	800 Series
	Stainless Steel – DUH30152UC	Stainless Steel – DUH30252UC	Stainless Steel – DPH30652UC
<b>General Properties</b>			
Operating mode	Convertible: ducted / recirculating	Convertible: ducted / recirculating	Convertible: ducted / recirculating
Maximum CFM	280 CFM	400 CFM	600 CFM
Sones	N/A	5.0 HS / 1.5 WS	N/A
Number of speed settings	3-stage	4-stage	2-stage
Motor location	Integrated motor in hood body	Integrated motor in hood body	Integrated motor in hood body
Number and type of lights	2 Incandescent	2 Halogen	2 Incandescent
Light lumens	380	380	380
Light color (°K)	2700	2700	2700
Total power of the lamps (W)	80 W	100 W	80 W
Damper included	Yes	Yes	Yes
Grease filter material	Aluminum	Aluminum	Aluminum
Grease filter type	Multilayer cassette	Multilayer cassette	Multilayer cassette
<b>Technical Details</b>			
Watts (W)	N/A	N/A	142 W
Volts (V)	120 V	120 V	120 V
Frequency (Hz)	60 Hz	60 Hz	60 Hz
Plug type	No plug	No plug	No plug
<b>Dimensions &amp; Weight</b>			
Overall appliance dimensions (width of canopy included) (HxWxD) (in.)	5" x 30" x 20"	5" x 30" x 20"	11" x 30" x 23"
Required distance above cooktop / range cooking surface	Min. 30" electric / 30" gas	Min. 30" electric / 30" gas	Min. 30" electric / 30" gas
Diameter of air duct (in.) top	7"	7"	8"
Diameter of air duct (in.) back	3 1/4" x 10" rectangular	3 1/4" x 10" rectangular	8"
Net weight (lbs)	42 lbs	42 lbs	34 lbs

**Optional Accessories for 300 and 500 Series Under-Cabinet Hoods**

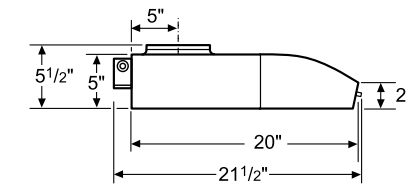
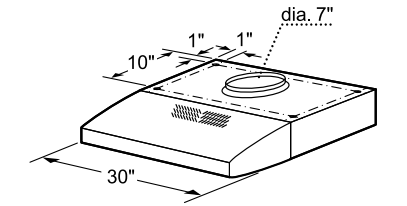
- DHZ3002UC Replacement Charcoal Filter

**Optional Accessories for 800 Series Under-Cabinet Hood**

- DHZ3052UC Replacement Charcoal Filter
- DRZ3052UC Recirculation Kit Adds 4" Height to Appliance

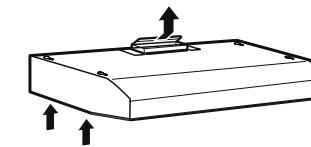
# 300 / 500 / 800 Series 30" Under-Cabinet Wall Hoods

300 / 500 Series 30" DUH30152UC & DUH30252UC Under-Cabinet Hoods

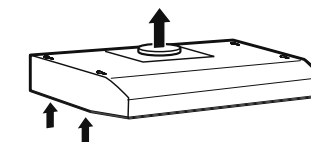


Dimensions in inches

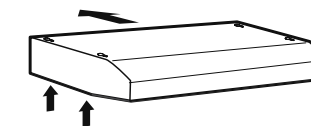
**Vertical discharge:**  
Use a rectangular duct 3 1/4" x 10"....



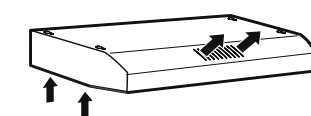
....or use a round 7" duct



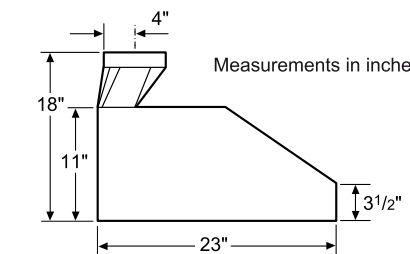
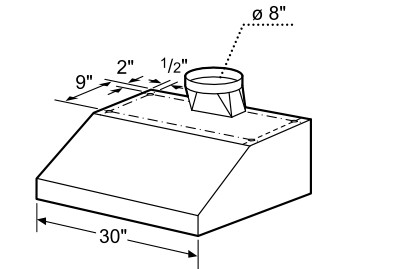
**Horizontal discharge:**  
Use a rectangular duct 3 1/4" x 10"



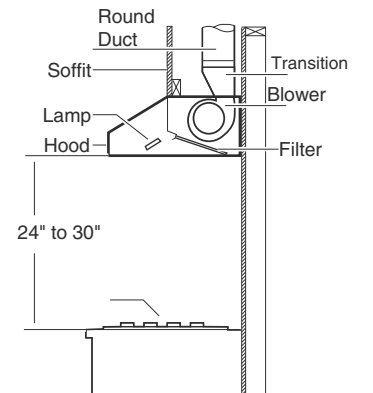
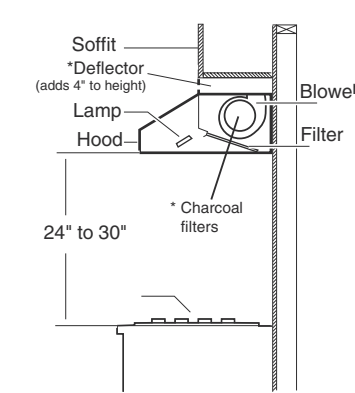
**Recirculating (non vented ductless)**



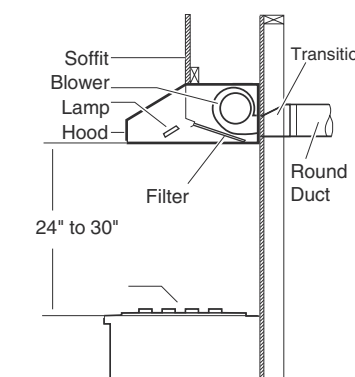
800 Series 30" DPH30652UC Under-Cabinet Hood



Measurements in inches



**Recirculating**  
\* Optional accessory - Ductless recirculation kit. Adds 4" to height of appliance.



Horizontal discharge



# 300 / 500 / 800 Series 36" Under-Cabinet Wall Hoods



36" 300 Series Under-Cabinet Wall Hood DUH36152UC

- 280 CFM
- Incandescent Lights
- Aluminum Mesh Filters
- Three Power Levels



36" 500 Series Under-Cabinet Wall Hood DUH36252UC

- + 400 CFM
- + Halogen Lights
- Aluminum Mesh Filters
- + Four Power Levels



36" 800 Series Under-Cabinet Wall Hood DPH36652UC

- + 600 CFM
- Incandescent Lights
- Aluminum Mesh Filters
- + Professional Design

+ Indicates a step-up feature

	300 Series	500 Series	800 Series
	Stainless Steel – DUH36152UC	Stainless Steel – DUH36252UC	Stainless Steel – DPH36652UC
<b>General Properties</b>			
Operating mode	Convertible: ducted / recirculating	Convertible: ducted / recirculating	Convertible: ducted / recirculating
Maximum CFM	280 CFM	400 CFM	600 CFM
Sones	N/A	5.0 HS / 1.5 WS	10.8 HS / 2.5 WS
Number of speed settings	3-stage	4-stage	2-stage
Motor location	Integrated motor in hood body	Integrated motor in hood body	Integrated motor in hood body
Number and type of lights	2 Incandescent	2 Halogen	2 Halogen
Light lumens	380	380	380
Light color (°K)	2700	2700	2700
Total power of the lamps (W)	80 W	100 W	80 W
Damper included	Yes	Yes	Yes
Grease filter material	Aluminum	Aluminum	Aluminum
Grease filter type	Multilayer cassette	Multilayer cassette	Multilayer cassette
<b>Technical Details</b>			
Watts (W)	N/A	N/A	253 W
Volts (V)	120 V	120 V	120 V
Frequency (Hz)	60 Hz	60 Hz	60 Hz
Plug type	No plug	No plug	No plug
<b>Dimensions &amp; Weight</b>			
Overall appliance dimensions (width of canopy included) (HxWxD) (in.)	5" x 36" x 20"	5" x 36" x 20"	11" x 36" x 23"
Required distance above cooktop / range cooking surface	Min. 30" electric / 30" gas	Min. 30" electric / 30" gas	Min. 30" electric / 30" gas
Diameter of air duct (in.) top	7"	7"	8"
Diameter of air duct (in.) back	3 1/4" x 10" rectangular	3 1/4" x 10" rectangular	8"
Net weight (lbs)	41 lbs	41 lbs	34 lbs

**Optional Accessories for 300 and 500 Series Under-Cabinet Hoods**

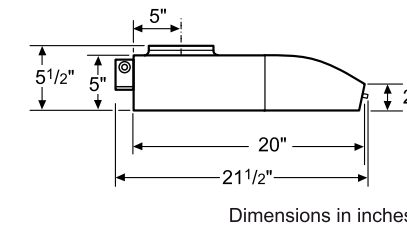
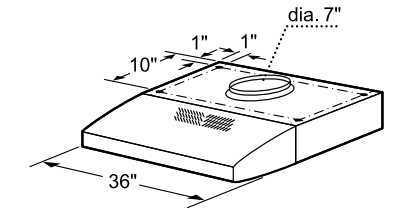
- DHZ3002UC Replacement Charcoal Filter

**Optional Accessories for 800 Series Under-Cabinet Hood**

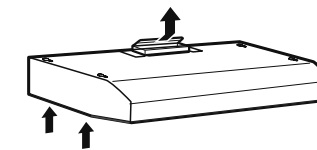
- DHZ3052UC Replacement Charcoal Filter
- DRZ3652UC Recirculation Kit Adds 4" Height to Appliance

# 300 / 500 / 800 Series 36" Under-Cabinet Wall Hoods

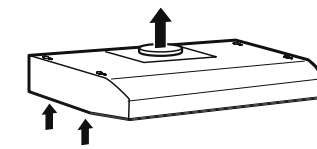
300 / 500 Series 30" DUH36152UC & DUH36252UC Under-Cabinet Hoods



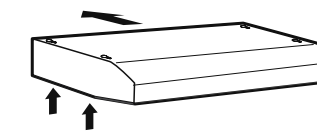
**Vertical discharge:**  
Use a rectangular duct 3 1/4" x 10".....



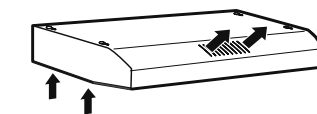
....or use a round 7" duct



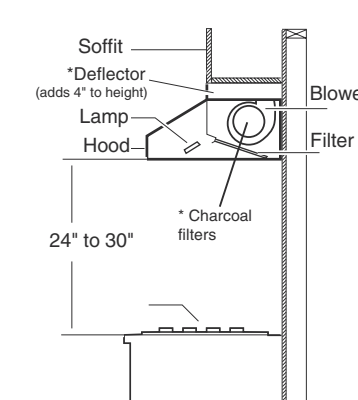
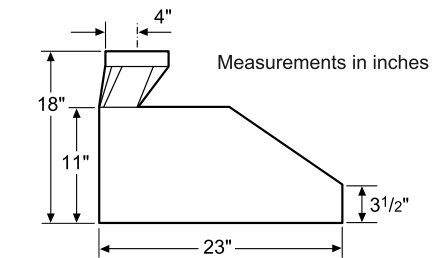
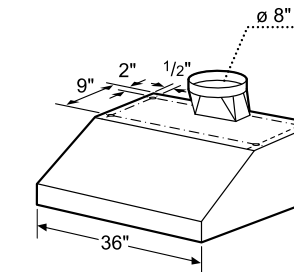
**Horizontal discharge:**  
Use a rectangular duct 3 1/4" x 10"



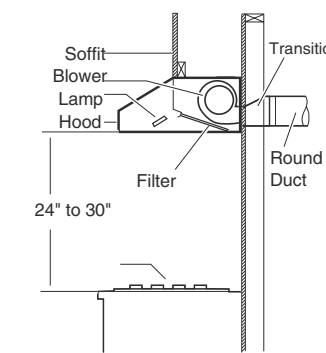
**Recirculating (non vented ductless)**



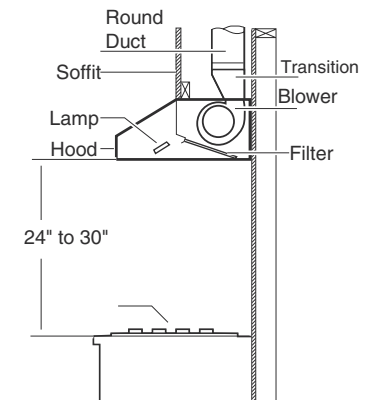
800 Series 30" DPH36652UC Under-Cabinet Hood



**Recirculating**  
\* Optional accessory - Ductless recirculation kit. Adds 4" to height of appliance.



**Horizontal discharge**



**Vertical discharge**



# 300 / 500 Series Custom Insert Hoods



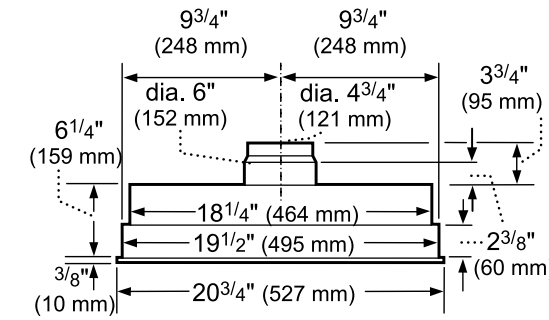
300 Series  
 21" – HUI31451UC  
 500 Series  
 29" – DHL755BUC  
 Custom Insert Hoods

- 400 CFM
- 2 Halogen Lights
- Aluminum Mesh Filters
- Slide Control Switch

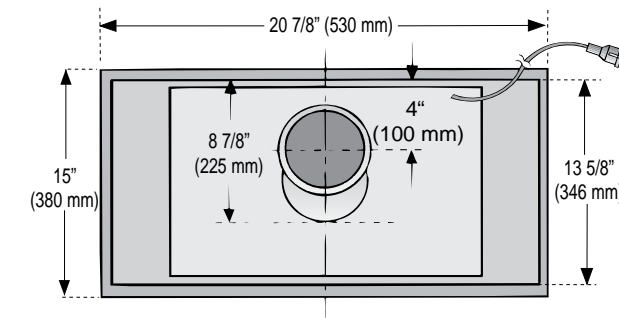
	300 Series	500 Series
	21" – HUI31451UC	29" – DHL755BUC
<b>General Properties</b>		
Operating mode	Ducted	Ducted
Maximum CFM	400 CFM	400 CFM
Number of speed settings	3-stage	3-stage
Motor location	Integrated motor in hood body	Integrated motor in hood body
Number and type of lights	2 Halogen	2 Halogen
Total power of the lamps (W)	40 W	40 W
Damper included	Yes	Yes
Grease filter material	Aluminum	Aluminum
Grease filter type	Multilayer cassette	Multilayer cassette
<b>Technical Details</b>		
Volts (V)	120 V	120 V
Frequency (Hz)	60 Hz	60 Hz
Plug type	120V-3 prong	120V-3 prong
Power cord length (in.)	51"	51"
<b>Dimensions &amp; Weight</b>		
Overall appliance dimensions (width of canopy included) (HxWxD) (in.)	10" x 20 3/4" x 15"	6 1/4" x 28 11/16" x 15"
Required distance above cooktop / range cooking surface	Min. 30" electric / 30" gas	Min. 30" electric / 30" gas
Diameter of air duct (in.) top	6"	6"
Net weight (lbs)	19 lbs	23 lbs

# 300 / 500 Series Custom Insert Hoods

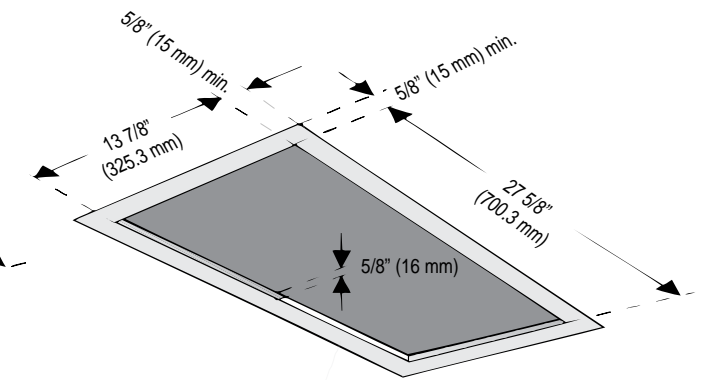
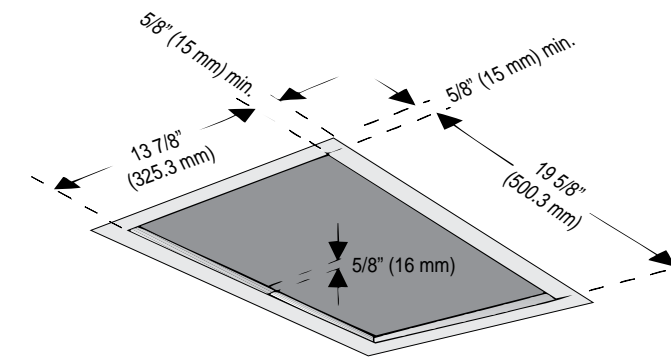
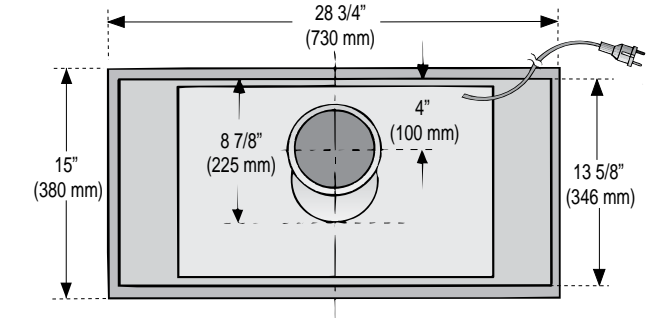
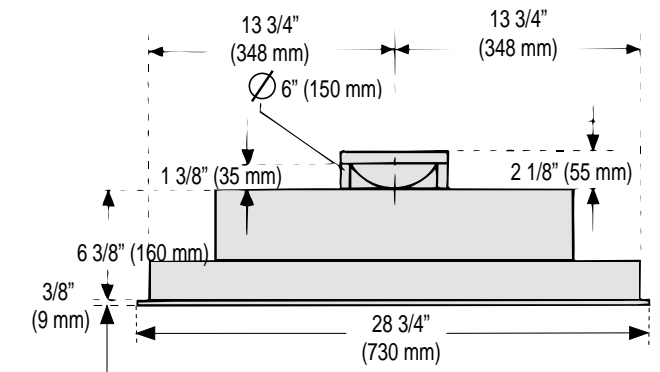
21" HUI31451UC Custom Insert Hood



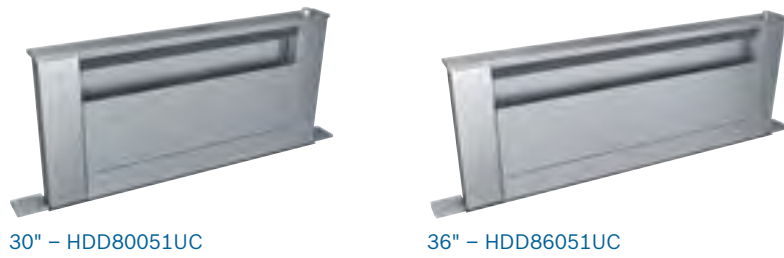
measurements in inches and mm



29" DHL755BUC Custom Insert Hood



# 800 Series Downdraft Hoods



## 800 Series Downdraft Hoods

- 12" Telescopic Chimney
- 600 CFM Blower Options (Sold Separately)
- Aluminum Mesh Filters
- Three Power Levels
- Recirculation Option (Sold Separately)\*

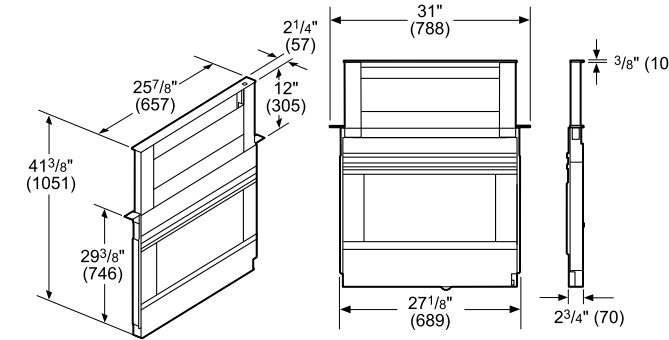
	30"	36"
	Stainless Steel – HDD80051UC	Stainless Steel – HDD86051UC
<b>General Properties</b>		
Operating mode	Convertible: ducted / recirculating	Convertible: ducted / recirculating
Maximum CFM	Blower sold separately	Blower sold separately
Sones**	11.8 HS / 2.1 WS	10.3 HS / 1.4 WS
Number of speed settings	3-stage	3-stage
Motor location	External	External
Damper included	No	No
Grease filter material	Aluminum	Aluminum
Grease filter type	Multilayer cassette	Multilayer cassette
Duct direction	Front, left, right, rear, down	Front, left, right, rear, down
Optional blower required	Yes (600 CFM options sold separately)	Yes (600 CFM options sold separately)
<b>Technical Details</b>		
Volts (V)	120 V	120 V
Frequency (Hz)	60 Hz	60 Hz
Plug type	120V-3 prong	120V-3 prong
Power cord length (in.)	30"	30"
<b>Dimensions &amp; Weight</b>		
Overall appliance dimensions (width of canopy included) (HxWxD) (in.)	29 3/8" x 31" x 2 3/4"	29 3/8" x 37" x 2 3/4"
Height of the rise (in.)	12"	12"
Diameter of air duct (in.) internal	8"	8"
Diameter of air duct (in.) external	6" or 8"	6" or 8"
Net weight (lbs)	37 lbs	42 lbs
<b>Accessories – Required</b>		
Blower (sold separately)	Yes	Yes
<b>Accessories – Transitions &amp; Blowers</b>		
6" side / rear / downward transition	HDDSTRAN6	HDDSTRAN6
8" side / rear / downward transition	HDDSTRAN8	HDDSTRAN8
NOTE: HDDSTRAN6 or HDDSTRAN8 required for side or rear exhaust applications with inline and remote blowers.		
6" round front plate	HDDFTRAN6	HDDFTRAN6
8" round front plate	HDDFTRAN8	HDDFTRAN8
NOTE: HDDFTRAN6 or HDDFTRAN8 required for front exhaust applications with inline and remote blowers.		
Transition for rectangular duct	HDDSTRAN2	HDDSTRAN2
2' rectangular duct	HDD2RECTD	HDD2RECTD
NOTE: HDDSTRAN2 needed to attach HDD2RECTD to downdraft. For use with installation of inline or remote blower applications.		
600 CFM flexible blower	DHG602DUC	DHG602DUC
600 CFM inline blower	DHG6015NUC	DHG6015NUC
600 CFM remote blower	DHG6023RUC	DHG6023RUC

\*\*Sound test performed as per HVI standards at independent lab.

\*Recirculation kit is not compatible with gas cooktop installations with downdraft

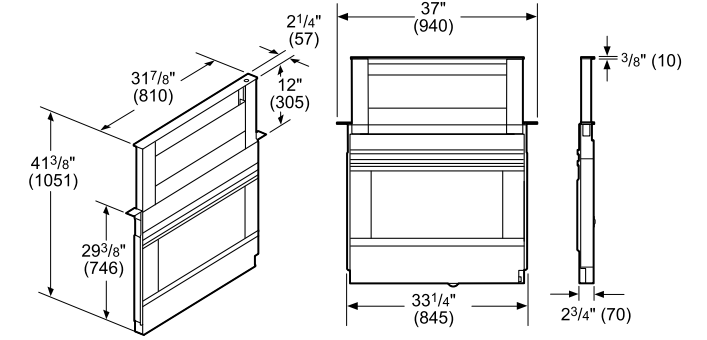
# 800 Series Downdraft Hoods

## 30" HDD80051UC Downdraft Hood



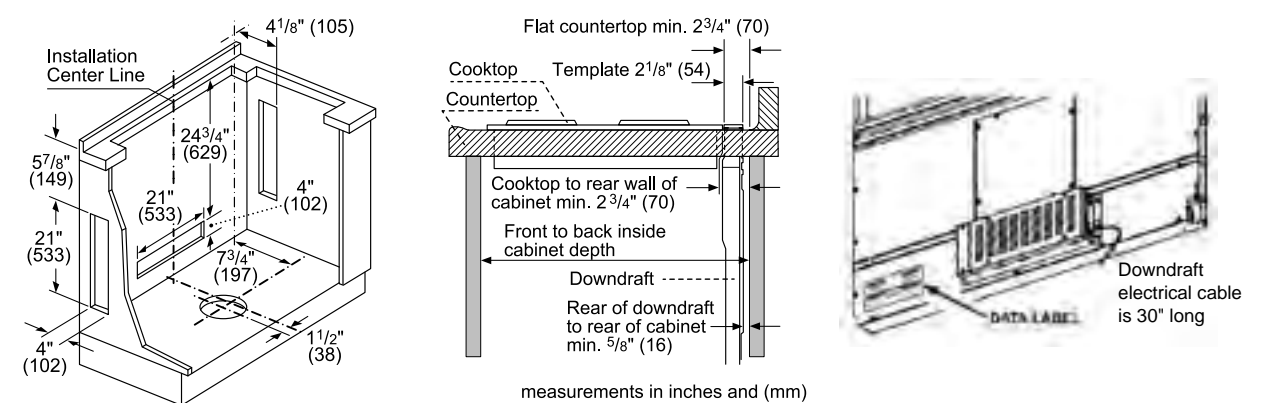
measurements in inches and (mm)

## 36" HDD86051UC Downdraft Hood



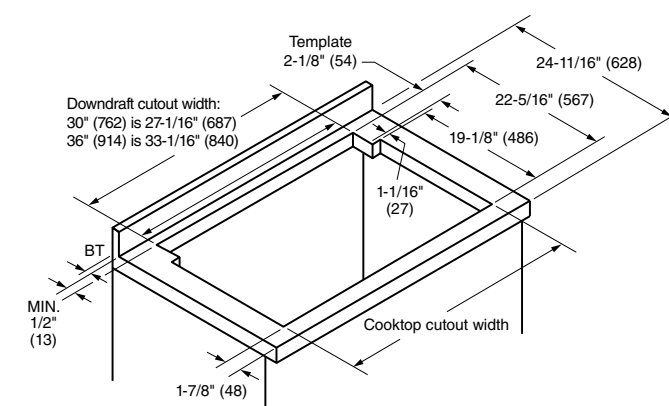
measurements in inches and (mm)

## 30" & 36" Downdraft Hood Clearances



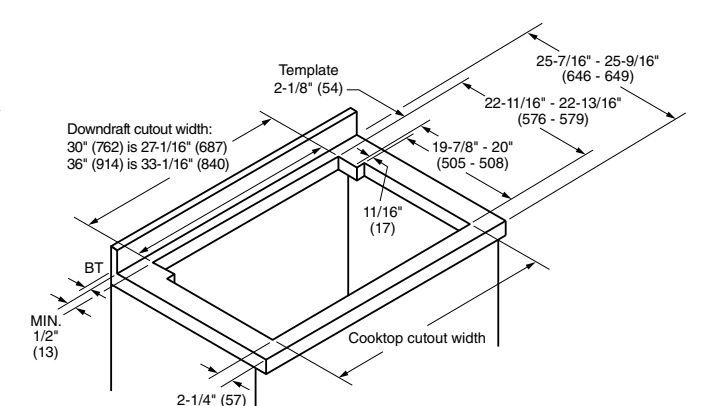
Measurements in inches and (mm)

## Downdraft Hood with Gas Cooktop Cutout



See page 160 for Downdraft Hood with Gas Rangenop Cutout

## Downdraft Hood with Electric or Induction Cooktop Cutout



### Optional Accessory for 30" Downdraft Hood



**HDD0RSP**  
30" Gas Cooktop Seal Kit for downdraft (required for installation with gas cooktops)

### Optional Accessory for 36" Downdraft Hood

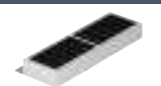


**HDD6RSP**  
36" Gas Cooktop Seal Kit for downdraft (required for installation with gas cooktops)

### Optional Accessories for 30" and 36" Downdraft Hoods



**HDDREC5UC**  
Recirculation Kit (compatible with electric and induction cooktops)



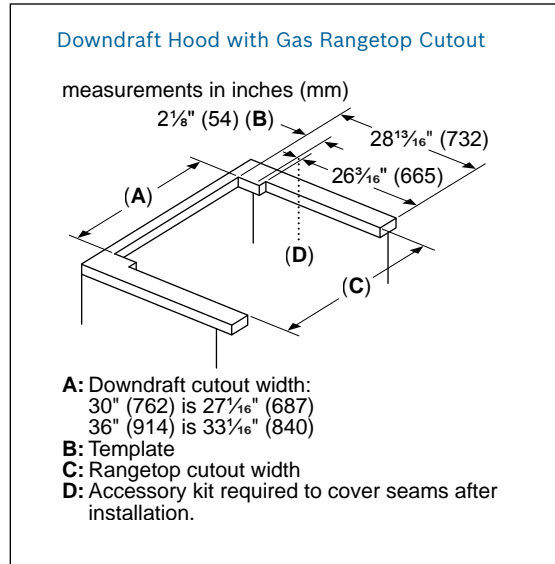
**HDDFILTUC**  
Charcoal Filter Replacement for recirculation kit



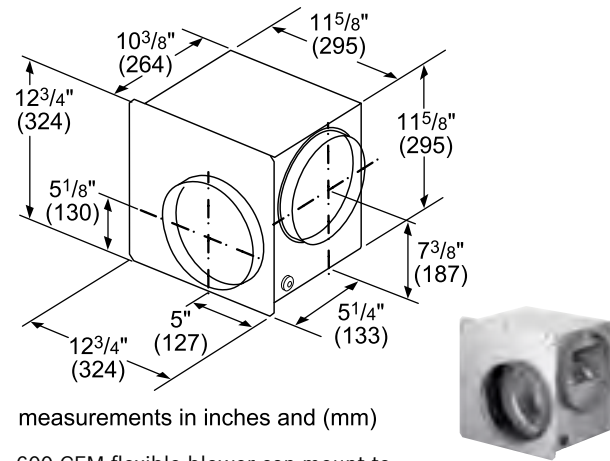


# 800 Series Downdraft Hoods

## Inline or Remote Blower Installation – Available Blowers



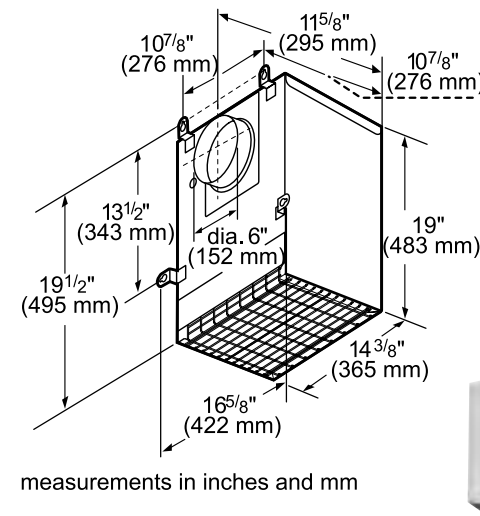
**DHG602DUC**  
600 CFM Flexible Integral Blower



600 CFM flexible blower can mount to downdraft or be used as an inline blower, and can be rotated to exhaust downward or to sides

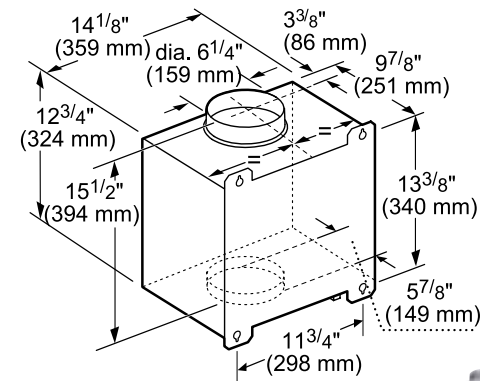
- Capable up to 600 CFM in performance
- Blower is able to mount to downdraft or be used as an inline blower
- Blower can be rotated to exhaust downward or toward sides
- Additional accessories may be required for installation, see manual

**DHG6023RUC**  
600 CFM Remote Blower



- For use with Bosch downdrafts
- Can be mounted on the exterior of the home to minimize noise in the cooking area
- Blower is mounted on roof of exterior wall depending on application needs
- 6" transition required

**DHG6015NUC**  
600 CFM Inline Blower

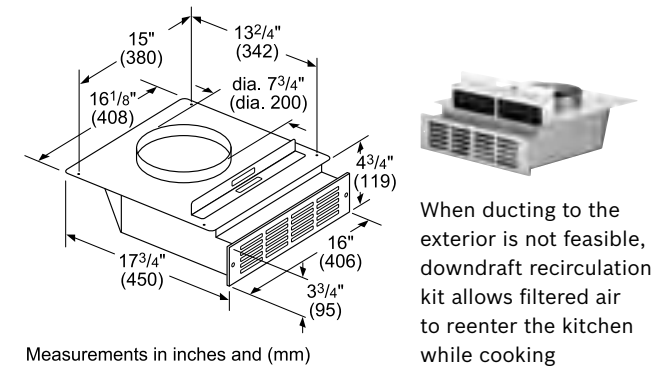


- For use with Bosch downdrafts
- Inline blowers can be mounted remotely to minimize blower noise in the cooking area
- Designed to be mounted inline with the ducting installation
- Blower is mounted on roof of exterior wall depending on application needs
- 6" transition required

# 800 Series Downdraft Hoods

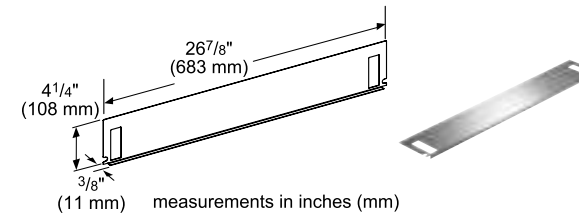
## Optional Accessories

**HDDREC5UC**  
Recirculation Kit for Downdraft



- When ducting is not feasible, kit eliminates need to exhaust outside
- Air is filtered through charcoal filter, then re-enters kitchen
- Includes recirculation module, filter and metal grille vent plate
- Designed to work with both 30" and 36" Bosch downdrafts, HDD series
- Use with induction / electric cooktops only

**HDD0RSP**  
30" Gas Cooktop Seal Kit for Downdraft



30" gas cooktop seal kit required for installation with 30" gas cooktops

- Includes trim, seal, metal grill, and fasteners
- Required for installation with gas cooktops

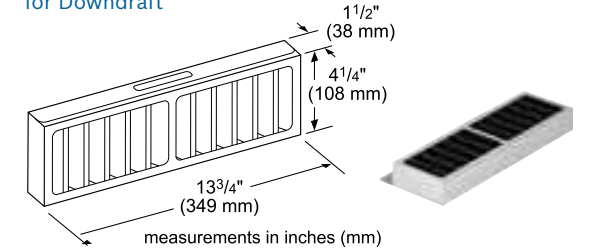
**HDDTRIM30S**  
Trim Kit for 30" FlameSelect® Gas Cooktops



30" trim kit for installation with 30" FlameSelect® gas cooktops

- Includes trim kit and installation tool
- Required for installation with 30" FlameSelect® gas cooktops

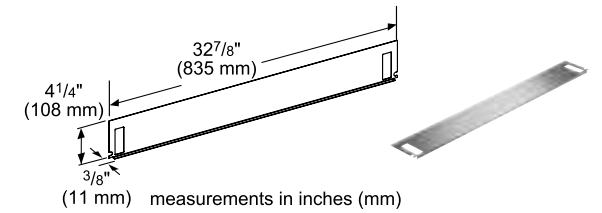
**HDDFILTUC**  
Charcoal Filter Replacement for Recirculation Kit for Downdraft



Maintain performance of Bosch downdraft recirculation kit with timely replacement of charcoal filter to capture and filter odors

- Replacement charcoal filter for HDDREC5UC recirculation kit
- Quality charcoal filter effectively captures and filters odors
- Replace charcoal filter every 6 months depending on usage

**HDD6RSP**  
36" Gas Cooktop Seal Kit for Downdraft



36" gas cooktop seal kit required for installation with 36" gas cooktops

- Includes trim, seal, metal grill, and fasteners
- Required for installation with gas cooktops

**HDDTRIM36S**  
Trim Kit for 36" FlameSelect® Gas Cooktops



36" trim kit for installation with 36" FlameSelect® gas cooktops

- Includes trim kit and installation tool
- Required for installation with 36" FlameSelect® gas cooktops

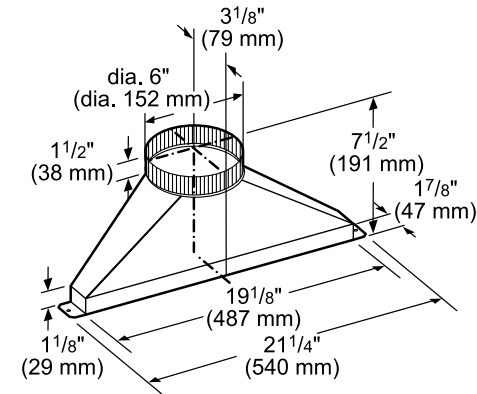


# 800 Series Downdraft Hoods

## Inline or Remote Blower Installation – Side / Rear / Downward Transitions

### HDDSTRAN6

6" Side / Rear / Downward Transition for Downdraft



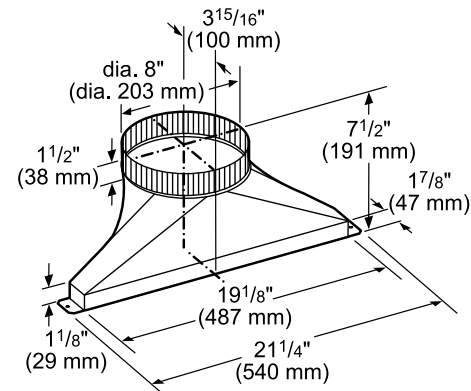
6" Round transition enable ducting to be at sides, rear or below downdraft for flexible configurations to maximize your kitchen design

measurements in inches (mm)

- Flexible transition design allows for left, right, rear or downward venting
- Front rough-in plate may be used with a 6" round duct or elbow
- Ability to use with DHG6015NUC inline or DHG6023RUC remote blowers
- Some blower positions may need deeper cabinets. See installation guide

### HDDSTRAN8

8" Side / Rear / Downward Transition for Downdraft



8" Round transition enable ducting to be at sides, rear or below downdraft for flexible configurations to maximize your kitchen design

measurements in inches (mm)

- Flexible transition design allows for left, right, rear or downward venting
- For DHG602DUC flexible downdraft blower used as inline installation
- Some blower positions may need deeper cabinets. See installation guide

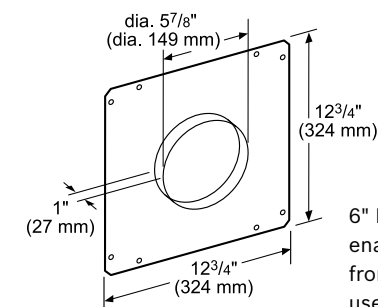
**NOTE:** HDDSTRAN6 or HDDSTRAN8 required for side, rear or downward exhaust applications with inline and remote blowers.

# 800 Series Downdraft Hoods

## Inline or Remote Blower Installation – Round Front Downdraft Plates

### HDDFTRAN6

6" Round Front Plate for Downdraft



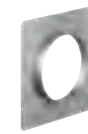
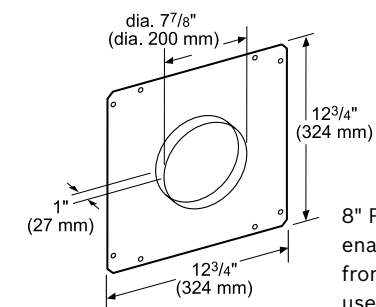
6" Front rough-in plate enable ducting to be at front of downdraft, for use with inline and remote blower applications

measurements in inches (mm)

- Front rough-in plate design allows for front venting
- Front rough-in plate may be used with a 6" round duct or elbow
- Ability to use with DHG6015NUC inline or DHG6023RUC remote blowers

### HDDFTRAN8

8" Round Front Plate for Downdraft



8" Front rough-in plate enable ducting to be at front of downdraft, for use with inline and remote blower applications

measurements in inches (mm)

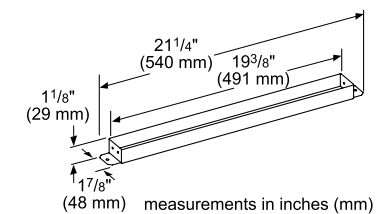
- Front rough-in plate design allows for front venting
- Front rough-in plate may be used with a 8" round duct or elbow
- For DHG602DUC flexible downdraft blower used as inline installation

**NOTE:** HDDFTRAN6 or HDDFTRAN8 front plate required for front exhaust applications with inline and remote blowers.

## Inline or Remote Blower Installation – Transition for Rectangular Duct for Downdraft

### HDDSTRAN2

Transition for Rectangular Duct for Downdraft

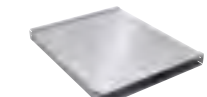
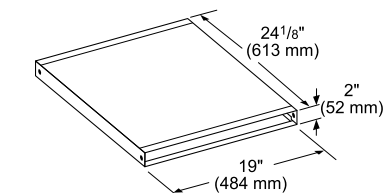


Rectangular duct transition required to connect 2' rectangular duct to downdraft

## Inline or Remote Blower Installation – 2' Rectangular Duct for Downdraft

### HDD2RECTD

2' Rectangular Duct Downdraft



measurements in inches (mm)

2' Rectangular duct can be used as extension to exhaust through a cabinet or wall while maximizing cabinet storage space

- Duct can be used as an extension to exhaust through a cabinet or wall
- May be attached to sides or rear of downdraft housing
- HDDRECTRN transition needed to connect HDD2RECTD to downdraft housing
- For use with remote or inline blowers



# 800 Series Downdraft Hoods

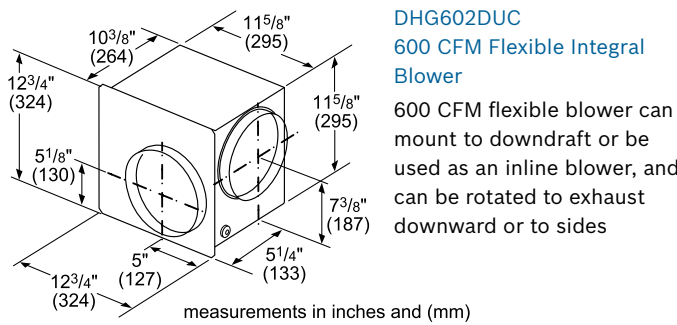
## Flexible Blower Installation – Front Exhaust Example



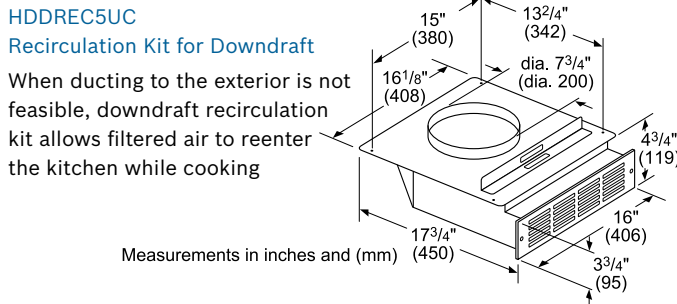
### Application

- Flexible blower attached can rotate for left, right or downward discharge
- Front downward application with flexible blower
- Requires space under floor line for ductwork\*
- Can be used with optional Recirculation Kit, sold separately
- Elbow, ductwork, blower support structure frame not included

### Required Blower



### Optional Accessories



**HDDFILTUC**  
Charcoal Filter Replacement Kit for Downdraft

Maintain performance of Bosch downdraft recirculation kit with timely replacement of charcoal filter to capture and filter odors

**HDD0RSP**  
30" Gas Cooktop Seal Kit for Downdraft

30" gas cooktop seal kit required for installation with 30" gas cooktops

**HDD6RSP**  
36" Gas Cooktop Seal Kit for Downdraft

36" gas cooktop seal kit required for installation with 36" gas cooktops

\*For only front downward ducting applications, electrical panel must be remotely mounted. Electrical panel can still be remotely mounted in other exhaust configurations if desired. Electrical panel interconnect cable length is 5-ft. long.

# 800 Series Downdraft Hoods

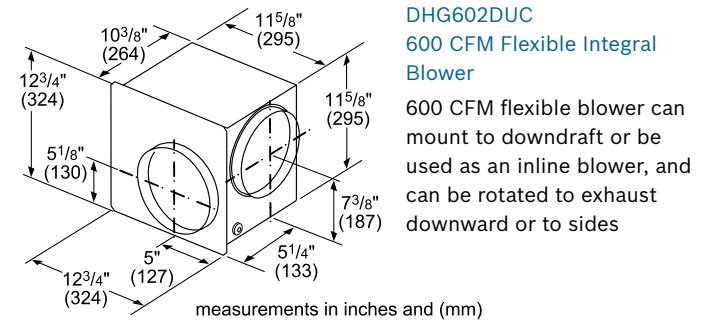
## Flexible Blower Installation – Front Exhaust with Flexible Blower Used as an Inline Option Example



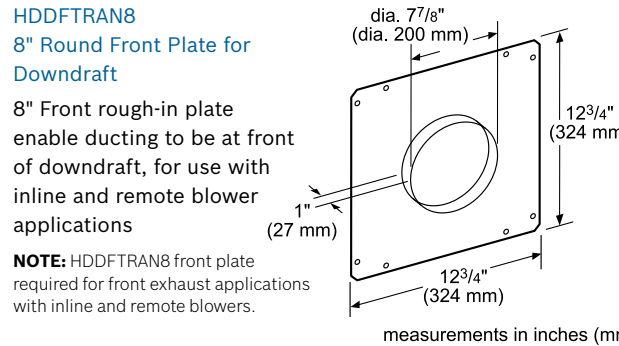
### Application

- Side exhaust with flexible blower used as inline option if ducting is more convenient with this configuration
- Requires at least 18" of clearance to fit the blower and transition
- Blower must be accessible for maintenance
- Elbow, ductwork, blower support structure frame not included

### Required Blower




### Required Accessories



### Optional Accessories


**HDD0RSP**  
30" Gas Cooktop Seal Kit for Downdraft

30" gas cooktop seal kit required for installation with 30" gas cooktops



**HDD6RSP**  
36" Gas Cooktop Seal Kit for Downdraft

36" gas cooktop seal kit required for installation with 36" gas cooktops

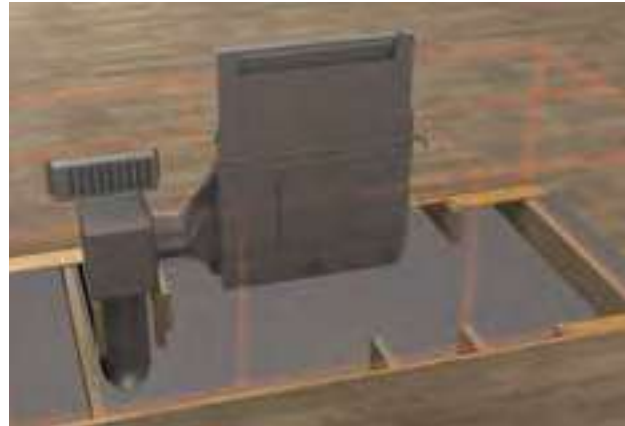


**NOTE:** Some applications may require deeper cabinets. Side and rear exhaust require at least 18" of clearance to fit the blower and / or ductwork. Refer to installation instructions.

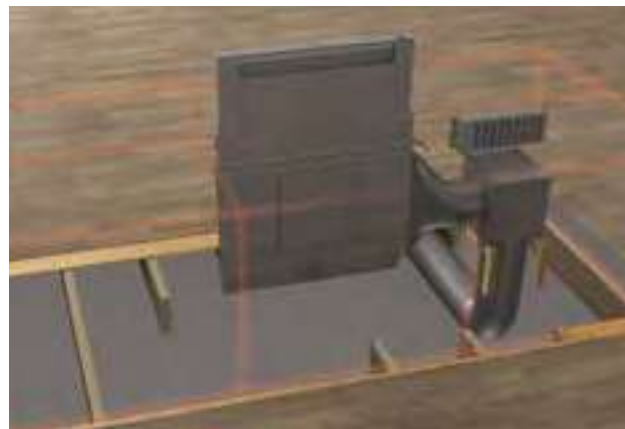


# 800 Series Downdraft Hoods

## Flexible Blower Installation – Side Exhaust Example



Left Side Exhaust

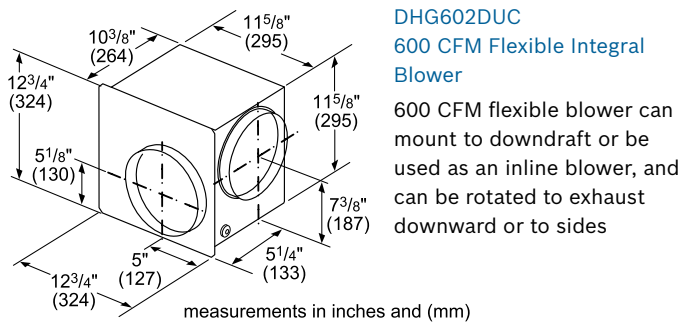


Right Side Exhaust

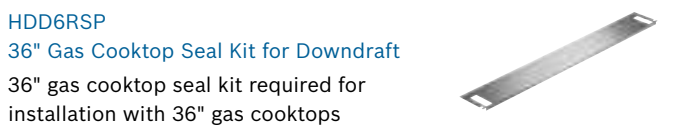
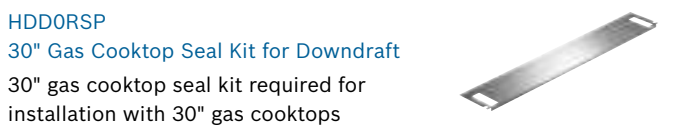
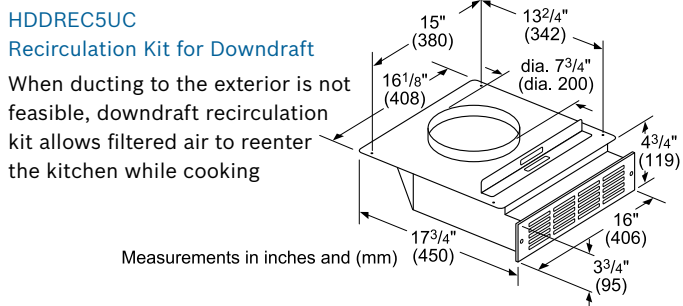
### Application

- Side exhaust option if ducting is more convenient with this configuration
- Requires at least 18" of clearance to fit the blower and transition
- Can be used with optional Recirculation Kit, sold separately
- Elbow, ductwork, blower support structure frame not included

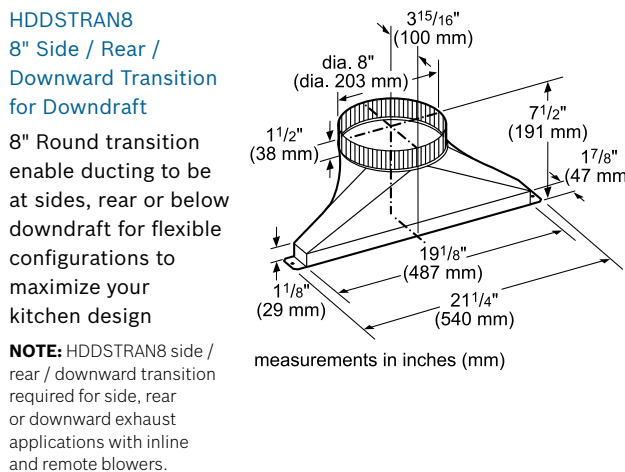
### Required Blower



### Optional Accessories



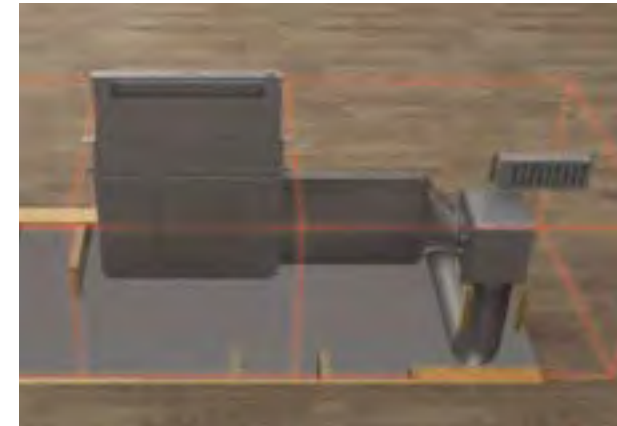
### Required Accessories



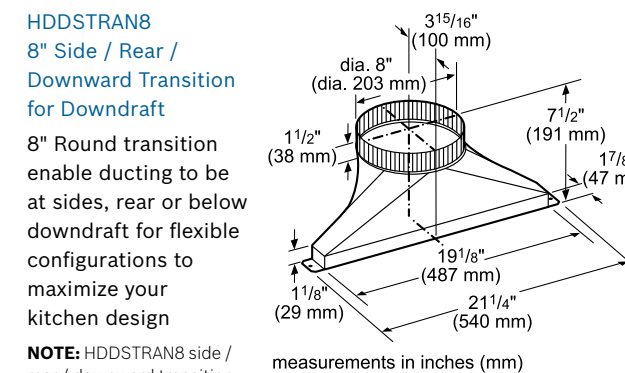
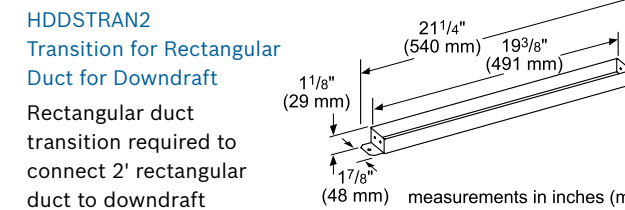
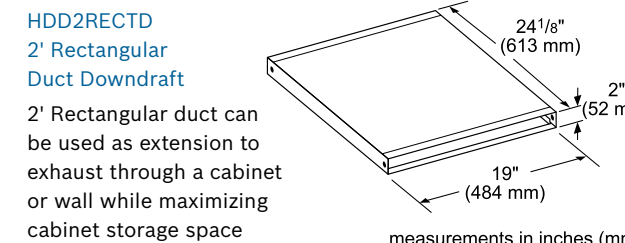
**NOTE:** Some applications may require deeper cabinets. Side and rear exhaust require at least 18" of clearance to fit the blower and / or ductwork. Refer to installation instructions.

# 800 Series Downdraft Hoods

## Flexible Blower Installation – Side Exhaust with Slim 2' Rectangular Duct Example



### Required Accessories

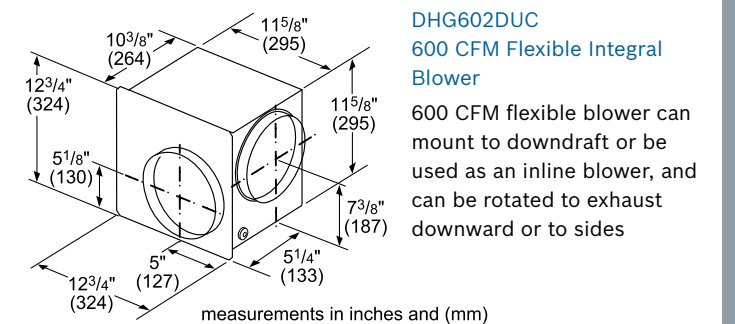


**NOTE:** Some applications may require deeper cabinets. Side and rear exhaust require at least 18" of clearance to fit the blower and / or ductwork. Refer to installation instructions.

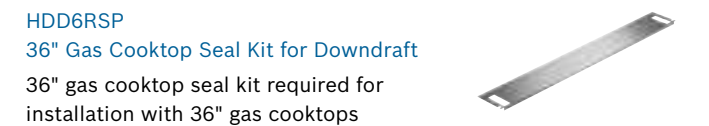
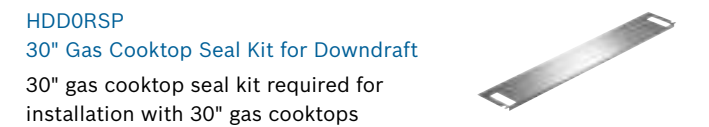
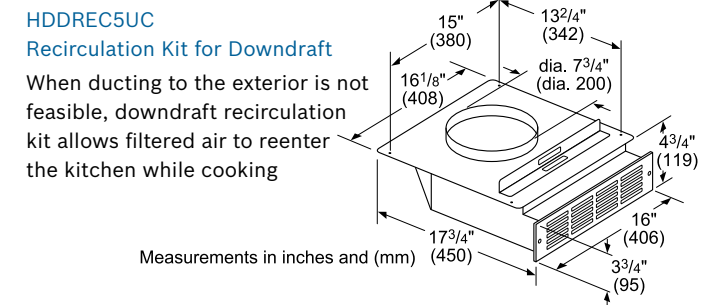
### Application

- Side exhaust option if ducting is more convenient with this configuration
- A slim 2' rectangular duct is available to place flexible blower in areas such as unused corner in island or peninsula applications
- Can be used with optional Recirculation Kit, sold separately
- Elbow, ductwork, blower support structure frame not included

### Required Blower

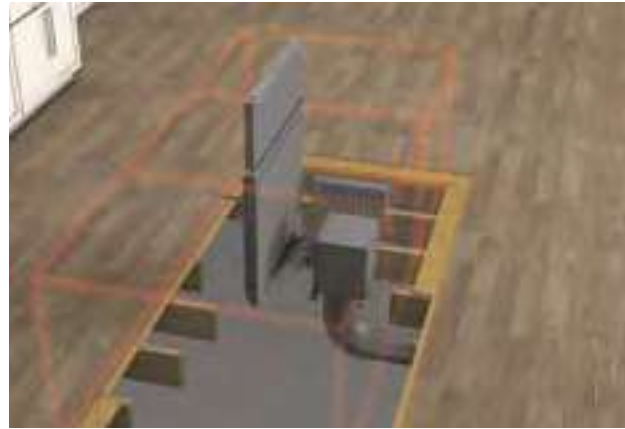


### Optional Accessories



# 800 Series Downdraft Hoods

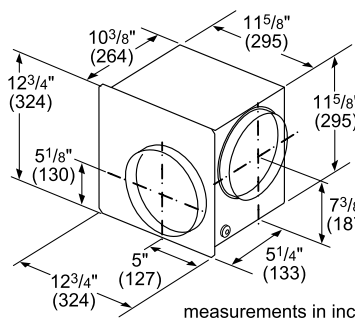
## Flexible Blower Installation – Rear Exhaust Example



### Application

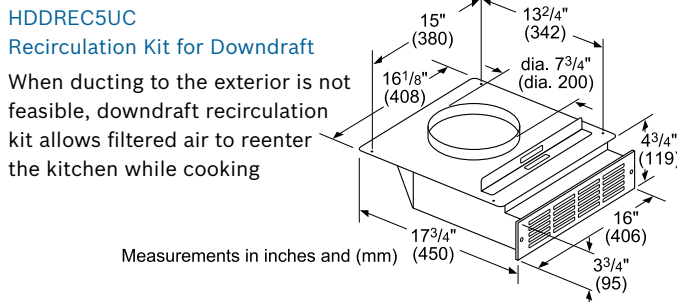
- Rear exhaust option is possible if ducting is more convenient with this configuration
- Requires at least 18" of clearance to fit the blower and transition
- Blower must be accessible for maintenance
- Can be used with optional Recirculation Kit, sold separately
- Elbow, ductwork, blower support structure frame not included

### Required Blower



**DHG602DUC**  
600 CFM Flexible Integral Blower  
600 CFM flexible blower can mount to downdraft or be used as an inline blower, and can be rotated to exhaust downward or to sides

### Optional Accessories



**HDDREC5UC**  
Recirculation Kit for Downdraft  
When ducting to the exterior is not feasible, downdraft recirculation kit allows filtered air to reenter the kitchen while cooking

**HDDFILTUC**  
Charcoal Filter Replacement for Recirculation Kit for Downdraft  
Maintain performance of Bosch downdraft recirculation kit with timely replacement of charcoal filter to capture and filter odors



**HDDORSP**  
30" Gas Cooktop Seal Kit for Downdraft  
30" gas cooktop seal kit required for installation with 30" gas cooktops



**HDD6RSP**  
36" Gas Cooktop Seal Kit for Downdraft  
36" gas cooktop seal kit required for installation with 36" gas cooktops

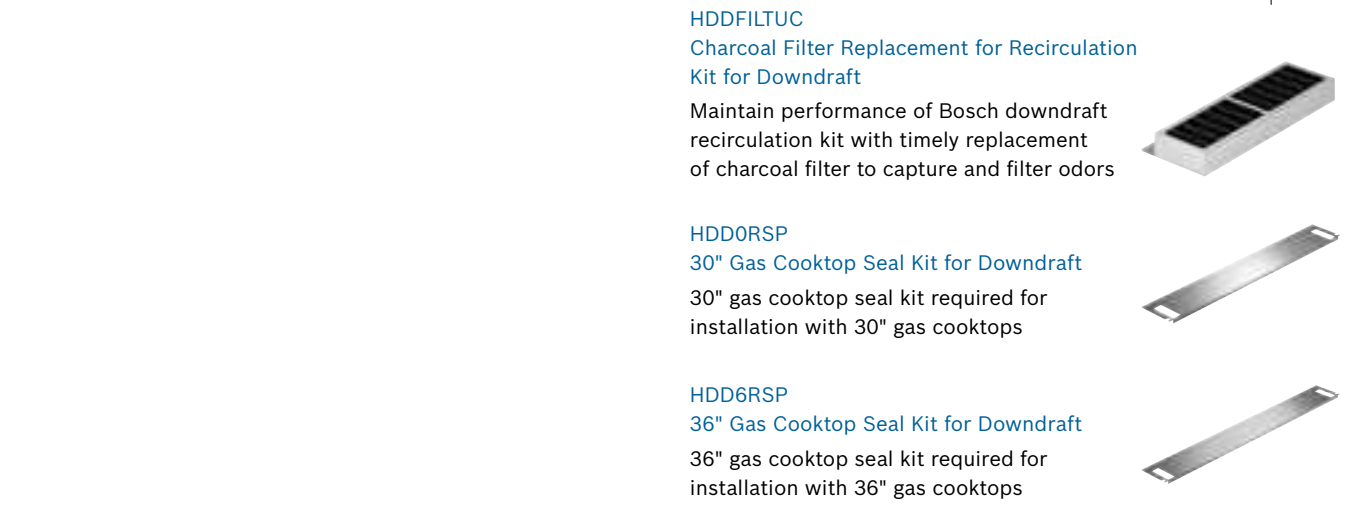
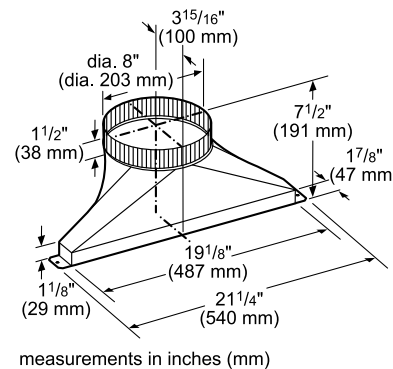


### Required Accessories

**HDDSTRAN8**  
8" Side / Rear / Downward Transition for Downdraft

8" Round transition enable ducting to be at sides, rear or below downdraft for flexible configurations to maximize your kitchen design

**NOTE:** HDDSTRAN8 side / rear / downward transition required for side, rear or downward exhaust applications with inline and remote blowers.



# 800 Series Downdraft Hoods

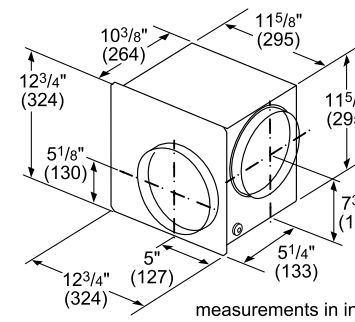
## Flexible Blower Installation – Downward Exhaust Example



### Application

- Downward exhaust option if ducting is more convenient with this configuration
- Requires at least 18" of clearance to fit the blower and transition
- Can be used with optional Recirculation Kit, sold separately
- Elbow, ductwork, blower support structure frame not included
- Blower must be accessible for maintenance
- Can also be installed with inline and remote blowers

### Required Blower



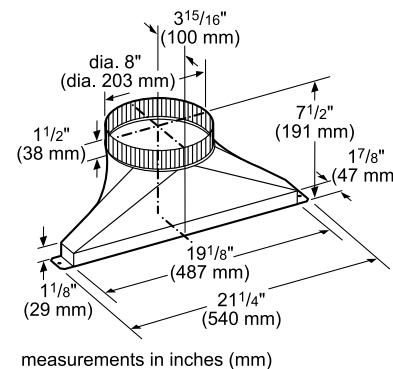
**DHG602DUC**  
600 CFM Flexible Integral Blower  
600 CFM flexible blower can mount to downdraft or be used as an inline blower, and can be rotated to exhaust downward or to sides

### Required Accessories

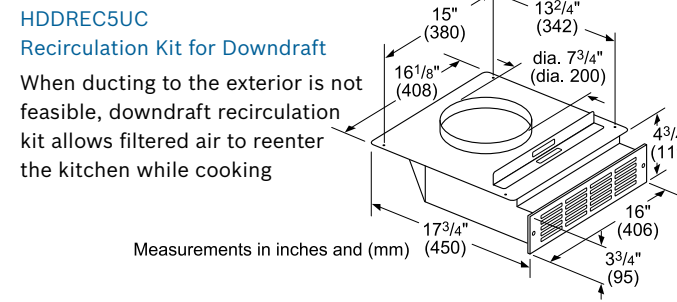
**HDDSTRAN8**  
8" Side / Rear / Downward Transition for Downdraft

8" Round transition enable ducting to be at sides, rear or below downdraft for flexible configurations to maximize your kitchen design

**NOTE:** HDDSTRAN8 side / rear / downward transition required for side, rear or downward exhaust applications with inline and remote blowers.

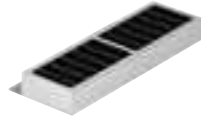


### Optional Accessories



**HDDREC5UC**  
Recirculation Kit for Downdraft  
When ducting to the exterior is not feasible, downdraft recirculation kit allows filtered air to reenter the kitchen while cooking

**HDDFILTUC**  
Charcoal Filter Replacement for Recirculation Kit for Downdraft  
Maintain performance of Bosch downdraft recirculation kit with timely replacement of charcoal filter to capture and filter odors



**HDDORSP**  
30" Gas Cooktop Seal Kit for Downdraft  
30" gas cooktop seal kit required for installation with 30" gas cooktops



**HDD6RSP**  
36" Gas Cooktop Seal Kit for Downdraft  
36" gas cooktop seal kit required for installation with 36" gas cooktops

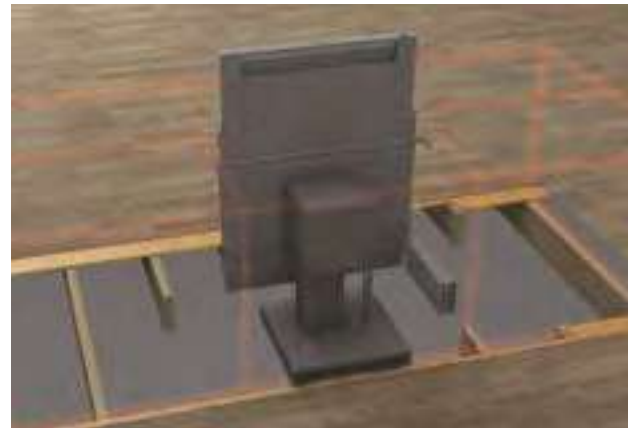


**NOTE:** Some applications may require deeper cabinets. Side and rear exhaust require at least 18" of clearance to fit the blower and / or ductwork. Refer to installation instructions.



# 800 Series Downdraft Hoods

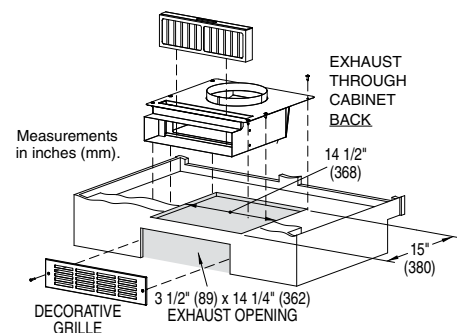
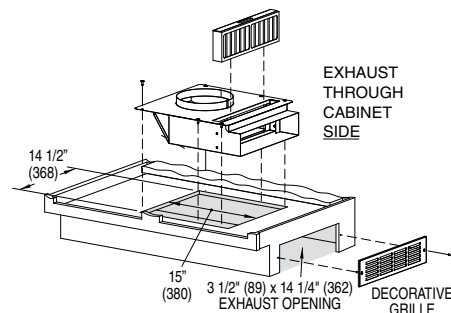
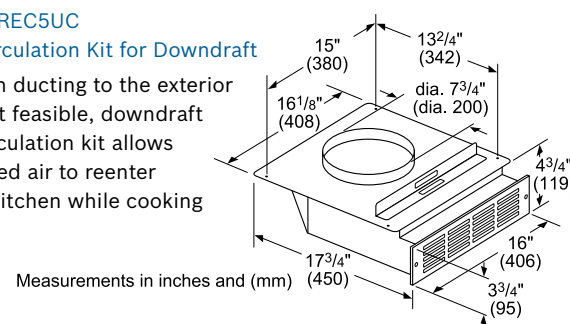
## Flexible Blower Installation – Recirculation Example



### Required Accessories

#### HDDREC5UC Recirculation Kit for Downdraft

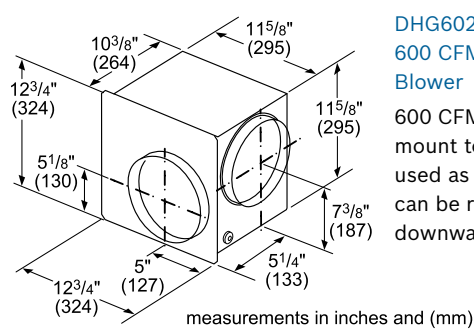
When ducting to the exterior is not feasible, downdraft recirculation kit allows filtered air to reenter the kitchen while cooking



### Application

- Allows for non-ducted downdraft installation by eliminating the need to exhaust to the exterior of the home
- Mount to toe kick or base of a cabinet and attach directly to flexible blower
- Recirculation module and metal grill vent plate placement can be rotated for flexible exhaust placement
- Elbow, ductwork, blower support structure frame not included

### Required Blower



**DHG602DUC**  
600 CFM Flexible Integral Blower  
600 CFM flexible blower can mount to downdraft or be used as an inline blower, and can be rotated to exhaust downward or to sides

### Optional Accessories

#### HDDFILTUC Charcoal Filter Replacement for Recirculation Kit for Downdraft

Maintain performance of Bosch downdraft recirculation kit with timely replacement of charcoal filter to capture and filter odors



#### HDD0RSP 30" Gas Cooktop Seal Kit for Downdraft

30" gas cooktop seal kit required for installation with 30" gas cooktops



#### HDD6RSP 36" Gas Cooktop Seal Kit for Downdraft

36" gas cooktop seal kit required for installation with 36" gas cooktops



# Simply Connected Ventilation

Bosch chimney hoods with Home Connect™ offer intuitive connectivity, designed to help you take control of your day, in your own way:



▲ 30" Chimney Hood HCP50652UC | 36" Chimney Hood HCP56652UC

**Cooktop-Hood Control.** Enables you to control your Wi-Fi synced Bosch cooktop and hood at the touch of a button. Program your hood to automatically start the fan when you start cooking, customize a lighting design, change the fan speed from your smart device and more.

**Remote Diagnostics.** Remote diagnostics allows for more efficient service solutions and the ultimate peace of mind. Smart support, smart solutions—all within an app.

**Voice Control.** Connect with your smart home. Use your voice assistant to bring the convenience of hands-free operation to your connected hood.

**Customize Settings.** Personalize appliance settings such as lighting design, fan speed, shut-off timer, and filter tracking to your needs, all through the Home Connect™ app.

**Notifications.** Optional push notifications alert you to when it is time to clean your grease filter or change your charcoal filter (for recirculated models).

**Online Shop.** Shop the accessories available for your cooktop with a link to the Bosch online shop.

Pair with a Bosch Home Connect™ Induction Cooktop. See pages 22, 26 and 28 for compatible models.





# Dishwashers

From legendary quiet performance to the promise of sparkling clean dishes, Bosch dishwashers deliver a lasting quality you've come to trust and expect. Now, with all new drying technologies, your dishwasher delivers the ultimate clean and the ultimate dry. Patented CrystalDry™ technology transforms moisture into heat to get dishes, including plastics, 60% drier\* and AutoAir® automatically opens the door at the end of the drying cycle to let moisture escape and fresh air circulate for better drying results.\*\* Discover how Bosch dishwashers are built to handle whatever life throws its way.

\*Based on aggregate average drying performance of Bosch Dishwashers with CrystalDry™ on combined household load including plastics, glass, steel, and porcelain as compared to Bosch Dishwashers with PureDry®. Drying performance may vary by dish type.

\*\*Compared to Bosch Dishwashers with PureDry®.



# Benchmark® Series Dishwashers

include these exclusive features:



The ultimate dry. Patented **CrystalDry™ technology** transforms moisture into heat up to 176°F to get dishes, including plastics, 60% drier.\*\*



Bosch's largest 3rd rack, the **MyWay® Rack**, easily fits more of your larger, deeper items like cereal bowls, freeing up extra space for oversized items in the bottom rack.\*



**Smooth-rolling ball bearings** add a smoother glide to all three racks, so you get a more premium feel with every pull—even when the rack is fully loaded.\*



**FlexSpace™ Plus tines** give you complete flexibility. Either fold down every other tine in the row or fold them all down—to create space to load larger dishes such as pasta bowls or even small frying pans more efficiently.\*



A bright white **interior light** adds an aesthetic accent in the kitchen and makes loading easier in dim lighting.\*



The **TimeLight®** shines the amount of time remaining in the cycle right on the floor.\*

\*Available on select Benchmark® Series models only.

\*\*Based on aggregate average drying performance of Bosch Dishwashers with CrystalDry™ on combined household load including plastics, glass, steel, and porcelain as compared to Bosch Dishwashers with PureDry®. Drying performance may vary by dish type.





# Benchmark® Series Dishwashers



- Benchmark® Series • 42 dBA
- MyWay® 3rd Rack
- SHP87PZ55N • TimeLight™
- SHX87PZ55N • CrystalDry™

- Benchmark® Series • +40 dBA
- Water Softener
- SHP88PZ55N • FlexSpace™ Plus Tines
- SHX88PZ55N • EasyGlide™ Rack
- SHV88PZ53N • System Upper and Lower Rack

- Benchmark® Series • +40 dBA
- Interior Light
- SHE88PZ65N • EasyGlide™ Rack System
- SHX88PZ65N • on All 3 Loading Levels
- SHV88PZ63N • TFT Display
- Home Connect



+ Indicates a step-up feature

Benchmark® Series	Benchmark® Series	Benchmark® Series
Pocket Handle – SHP87PZ55N Bar Handle – SHX87PZ55N	Pocket Handle – SHP88PZ55N Bar Handle – SHX88PZ55N Custom Panel – SHV88PZ53N	Recessed Handle – SHE88PZ65N Bar Handle – SHX88PZ65N Custom Panel – SHV88PZ63N

General Properties			
Number of wash cycles / options	6 / 6	6 / 6	7 / 7
dBA	42	40	40
Drying system	CrystalDry™ option	CrystalDry™ option	CrystalDry™ option
Third rack	MyWay® Rack	MyWay® Rack	MyWay® Rack
Rack adjustability	RackMatic®	RackMatic®	RackMatic®
Tub material	Stainless steel	Stainless steel	Stainless steel
Control type	Touch control	Touch control	Touch control with TFT display
Concealed water heating element	Yes	Yes	Yes
Leak protection system	24/7 AquaStop®	24/7 AquaStop®	24/7 AquaStop®
NSF®-certified* sanitize option	Yes	Yes	Yes
Water softener	No	Yes	Yes
Five-level wash	Yes	Yes	Yes
ChildLock	No	No	No
TimeLight™ / InfoLight®	TimeLight™	TimeLight™	InfoLight® (except recessed handle model)
Special features	TimeLight™	EasyGlide™ Rack System on upper and lower rack	Interior light, EasyGlide™ Rack System on all levels, Home Connect

Efficiency and Capacity			
Water usage per cycle	3.5	3.5	3.5
ENERGY STAR® qualified	Yes, Tier 1	Yes, Tier 1	Yes, Tier 1
Total annual energy / water consumption	269 kWh / 623.5 g	269 kWh / 623.5 g	269 kWh / 623.5 g
Number of place settings	16	16	16

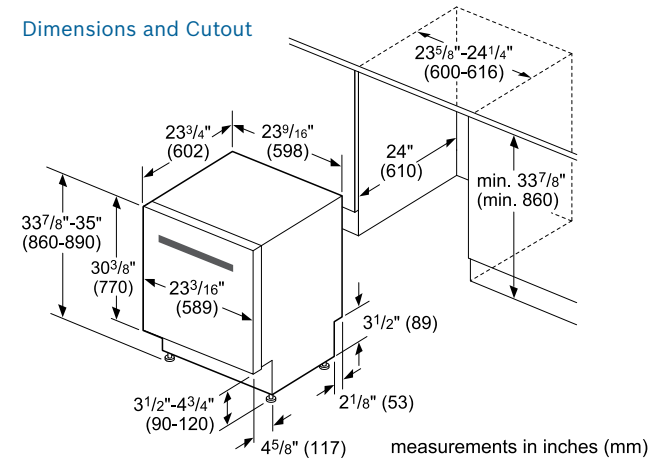
Technical Data			
Watts (W)	1440 W	1440 W	1440 W
Current (A) / Volts (V) / Frequency (Hz)	12 A / 120 V / 60 Hz	12 A / 120 V / 60 Hz	12 A / 120 V / 60 Hz
Power cord full length	67"	67"	67"
Power cord install length from edge of unit when facing the door (in)**	Left – 45" Right – 56"	Left – 45" Right – 56"	Left – 45" Right – 56"
Minimum water pressure (lb / sin)	14	14	14
Length outlet hose (in)	79"	79"	79"

Dimensions & Weight			
Overall appliance dimensions (HxWxD) (in) (adjustable feet)	33 7/8" x 23 9/16" x 23 3/4"	33 7/8" x 23 9/16" x 23 3/4" (Custom panel D: 23 1/16")	33 7/8" x 23 9/16" x 23 3/4" (Custom panel W: 23 1/16")
Required cutout size (HxWxD) (in)	33 7/8" x 23 5/8" x 24"	33 7/8" x 23 5/8" x 24"	33 7/8" x 23 5/8" x 24"
Net weight (lbs)	102 lbs	116 / 116 / 113 lbs	116 / 116 / 113 lbs

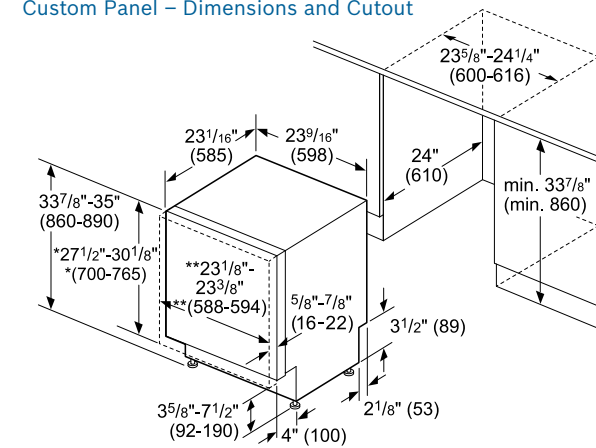
\*Certification to NSF/ANSI Standard 184 for residential dishwashers.  
\*\*September 2020 running production change to remove adhesive routing clips for power cord. These clips and the edge protector are now included in the dishwasher accessory kit # SMZEPCC1UC

# Benchmark® Series Dishwashers

## Dimensions and Cutout

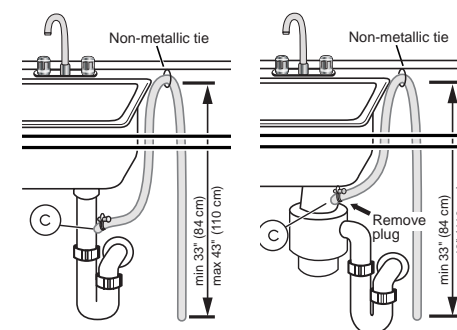


## Custom Panel – Dimensions and Cutout



\* measured from the bottom edge of the countertop panel thickness recommended 3/4" (20 mm).  
This dishwasher can accept custom door panel weights ranging from 7 to 24 lbs; however, the dishwasher comes from the factory ready for custom panel door weights from 11 to 18 lbs.  
If you plan on using a door panel that is not 11 to 18 lbs. please contact customer service at (800) 944-2904.  
\*\* 24" (610 mm) wide panel may be used depending on cabinet design  
Note: Refer to installation template for mounting hardware locations  
measurements in inches (mm)

## Plumbing



Note: Plumbing installations will vary - refer to local codes. Drain hose included is 79" (201 cm) and can be extended to a maximum of 155 3/4" (396 cm).

Always use the approved drain hose extension kit (SGZ101UC).

Ensure a portion of the drain hose is raised between min. 33" (84 cm) and max. 43" (110 cm) above the cabinet floor.

## Optional Accessories

SMZPCJB1UC Junction Box	SGZ101UC Drain Hose Extension 76 3/4"	SMZ5002UC Anti-Tarnish Silverware Cassette	SMZEPCC1UC Edge Protector + Power Cord Clip Install Kit	SMZSH002UC Bosch Dishwasher Water Supply Hose	SMZCD200UC Flexible 3rd Rack
----------------------------	---	--	---	---	---------------------------------

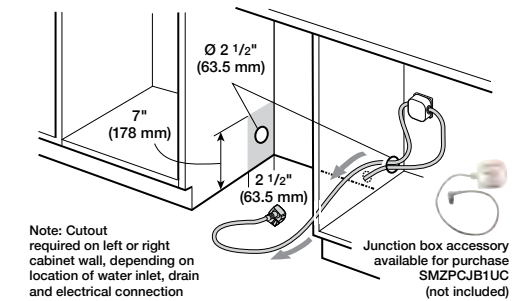
SGZ9091UC  
Softener Salt (4.4 lbs; for  
water softener models)

SMZ1007UC  
Stainless Steel Straight  
Bosch Bar Handle

SMZ5000  
Accessory Kit: Extra Tall Item Sprinkler, Vase and Bottle  
Holder, 3 Plastic Item Clips and Small Item Basket

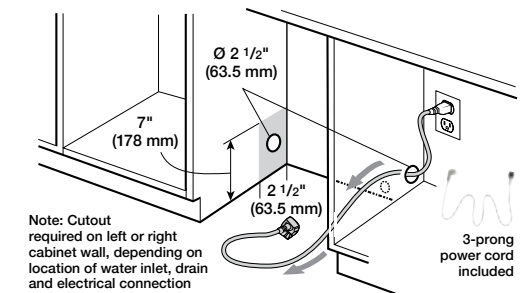
SMZ4026 (Small)  
SMZ5400 (Large)  
Silverware Insert  
for MyWay® Rack

## Example of Hardwire Installation



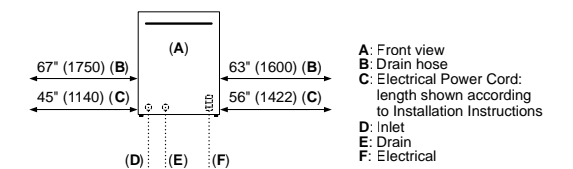
Note: Cutout required on left or right cabinet wall, depending on location of water inlet, drain and electrical connection  
Junction box accessory available for purchase SMZPCJB1UC (not included)

## Example of Electrical Receptacle Installation



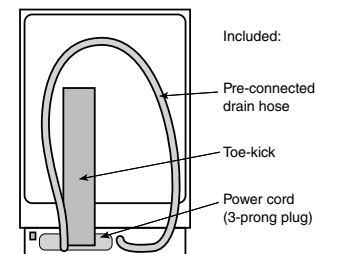
Note: Cutout required on left or right cabinet wall, depending on location of water inlet, drain and electrical connection  
3-prong power cord included

## Water and Electrical Locations



All connections are at the rear of the appliance. Extension for drain hose available as accessory. Junction Box for hard wired connection available as an accessory.  
Measurements in inches (mm)

## Included Parts & Accessories



# Benchmark® Series Dishwashers



- Benchmark® Series**
- +38 dBA (Custom Panel Model is 39 dBA)
  - SHE89PW75N + Telescopic Glide Rails on All 3 Levels
  - SHX89PW75N + 24/7 AquaStop® Plus
  - SHV89PW73N + Stainless Steel Toekick
  - Flexible 3rd Rack

+ Indicates a step-up feature

Benchmark® Series	
Recessed Handle – SHE89PW75N	
Bar Handle – SHX89PW75N	
Custom Panel – SHV89PW73N	

General Properties	
Number of wash cycles / options	7 / 7
dBA	38 / 38 / 39
Drying system	PureDry®
Third rack	Flexible 3rd rack
Rack adjustability	RackMatic®
Tub material	Stainless steel
Control type	TFT Touch Control
Concealed water heating element	Yes
Leak protection system	24/7 AquaStop® Plus
Water softener	Yes
Five-level wash	Yes
ChildLock	No
TFT display	Yes
Special features	Interior Light, Telescopic Glides on all 3 levels, Stainless Steel Toekick

Efficiency and Capacity	
Water usage per cycle	2.9
Energy efficiency class	Tier 1
ENERGY STAR® qualified	Yes
Total annual energy / water consumption	269 kWh / 623.5 g
Number of place settings	15

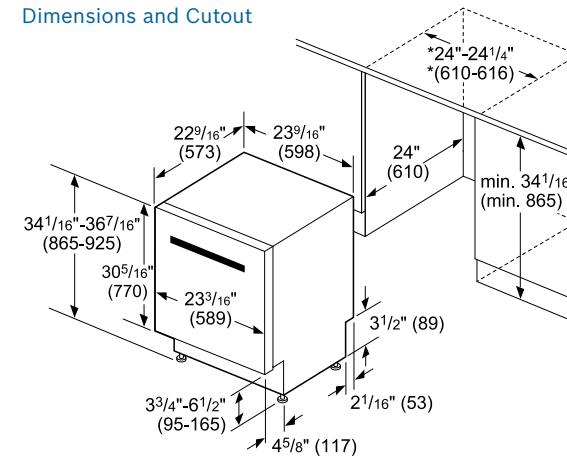
Technical Data	
Watts (W)	1440 W
Current (A) / Volts (V) / Frequency (Hz)	12 A / 120 V / 60 Hz
Power cord length	67"
- Install length from corner of unit	45"
Minimum water pressure (lb / sin)	7
Length inlet / outlet hose (in)	65" / 75"

Dimensions & Weight	
Overall appliance dimensions (HxWxD) (in)	Recessed and bar handle: 34 1/16" x 23 9/16" x 22 9/16" (Custom panel D: 21 5/8")
Required cutout size (HxWxD) (in)	34 1/16" x 24" x 24"
Adjustable feet	Yes
Net weight (lbs)	123 / 128 / 118 lbs

Optional Accessories					
SMZPCJB1UC Junction Box	SGZ1010UC Drain Hose Extension 76 3/4"	SGZ9091UC Softener Salt (4.4 lbs)	SSM25002UC Anti-Tarnish Silverware Cassette	SMZEPCC1UC Edge Protector + Power Cord Clip Install Kit	SMZ1007UC Stainless Steel Bosch Dishwasher Bar Handle

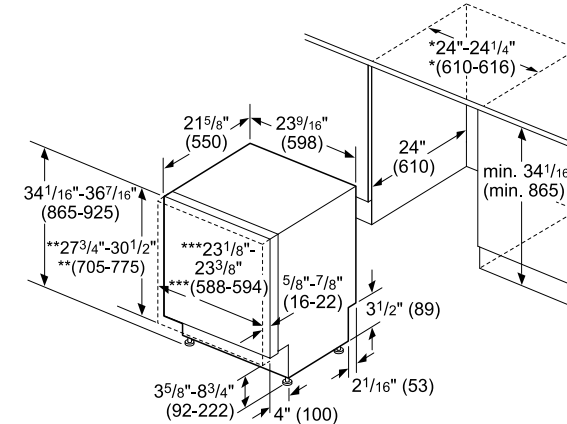
# Benchmark® Series Dishwashers

## Dimensions and Cutout



\*23 5/8" (600) without decor strips measurements in inches (mm)

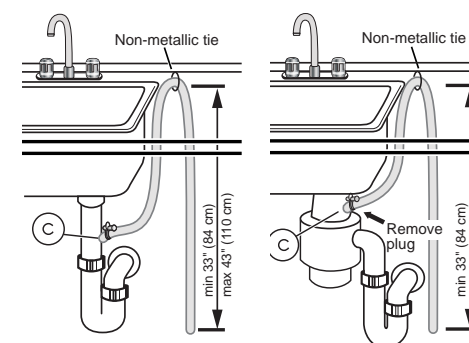
## Custom Panel – Dimensions and Cutout



\* 23 5/8" (600 mm) without decor strips  
 \*\* measured from the bottom edge of the countertop panel thickness recommended 3/4" (20 mm), panel weight 7–22 lbs (3–10 kg)  
 \*\*\* 24" (610 mm) wide panel may be used depending on cabinet design

Note: Refer to installation template for mounting hardware locations measurements in inches (mm)

## Plumbing

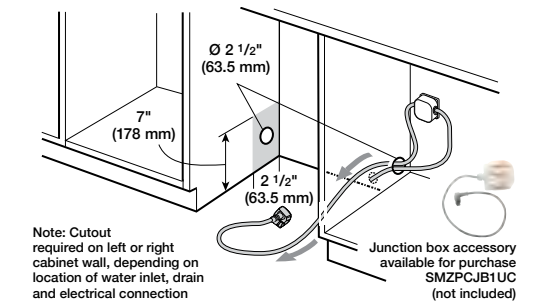


Note: Plumbing installations will vary - refer to local codes. Drain hose included is 75" (190 cm) and can be extended to a maximum of 151" (383 cm).

Always use the approved drain hose extension kit (SGZ1010UC).

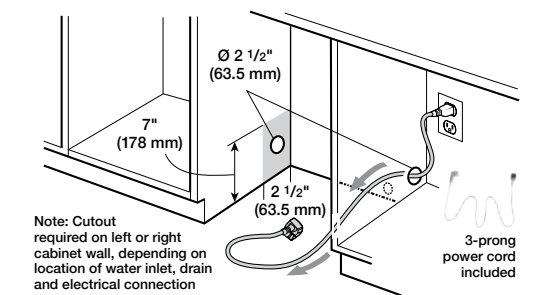
Ensure a portion of the drain hose is raised between min. 33" (84 cm) and max. 43" (110 cm) above the cabinet floor.

## Example of Hardwire Installation



Note: Cutout required on left or right cabinet wall, depending on location of water inlet, drain and electrical connection  
 Junction box accessory available for purchase SMZPCJB1UC (not included)

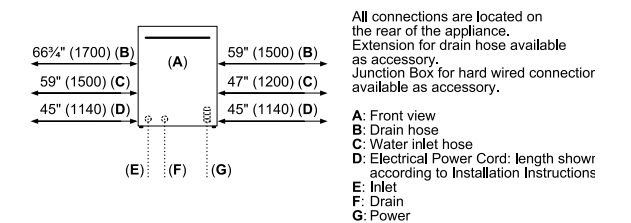
## Example of Electrical Receptacle Installation



Note: Cutout required on left or right cabinet wall, depending on location of water inlet, drain and electrical connection  
 3-prong power cord included

## Water and Electrical Locations

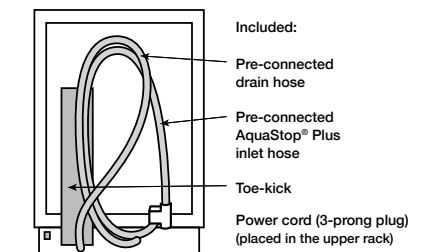
Measurements in inches (mm)



All connections are located on the rear of the appliance. Extension for drain hose available as accessory. Junction Box for hard wired connector available as accessory.

A: Front view  
 B: Drain hose  
 C: Water inlet hose  
 D: Electrical Power Cord: length shown according to Installation Instructions  
 E: Inlet  
 F: Drain  
 G: Power

## Included Parts & Accessories



# 100 Series Dishwashers



5

100 Series  
\*SHE3AR7\_UC  
\*SHX3AR7\_UC

2

• 50 dBA  
• 6 Cycles / 2 Options  
• Racks with Manual Height Adjustment

6



5

100 Series  
\*SHEM3AY5\_N

2

• 50 dBA  
• Anti-fingerprint (SHEM3AY55N)  
• Utility Rack

6

+ Indicates a step-up feature

\* Multiple colors available. See color chips to fill in missing digit.

	100 Series	100 Series
	Recessed Handle – SHE3AR7_UC Bar Handle – SHX3AR7_UC	Recessed Handle – SHEM3AY5_N
<b>General Properties</b>		
Number of wash cycles / options	6 / 2	6 / 2
dBA	50	50
Drying system	PureDry®	PureDry®
Third rack	No	Yes (Utility Rack)
Rack adjustability	Manual	Manual
Tub material	Stainless steel / polypropylene	Stainless steel / polypropylene
Control type	Buttons	Buttons
Concealed water heating element	Yes	Yes
Leak protection system	24/7 Overflow Protection	24/7 Overflow Protection
NSF®-certified* sanitize option	Yes	Yes
Water softener	No	No
Five-level wash	Yes	Yes
ChildLock	Yes (recessed handle model only)	Yes
TFT display	No	No
InfoLight®	No	No
Special features	50 dBA, 24/7 Overflow Protection, Anti-fingerprint (SHE3AR75UC & SHX3AR75UC), Detergent Tray	Anti-fingerprint (SHEM3AY55N), Utility Rack
<b>Efficiency and Capacity</b>		
Water usage per cycle	3.2	3.2
Energy efficiency class	Tier 1	Tier 1
ENERGY STAR® qualified	Yes	Yes
Total annual energy / water consumption	269 kWh / 688 g	269 kWh / 688 g
Number of place settings	14	14
<b>Technical Data</b>		
Watts (W)	1400 W	1400 W
Current (A) / Volts (V) / Frequency (Hz)	12 A / 120 V / 60 Hz	12 A / 120 V / 60 Hz
Power cord full length	67"	67"
Power cord install length from edge of unit when facing the door (in)**	Left – 45" Right – 50"	Left – 45" Right – 50"
Minimum water pressure (lb / sin)	15	15
Length outlet hose (in)	90 1/2"	90 1/2"
<b>Dimensions &amp; Weight</b>		
Overall appliance dimensions (HxWxD) (in)	33 7/8" x 23 9/16" x 22 9/16"	33 7/8" x 23 9/16" x 22 9/16"
Required cutout size (HxWxD) (in)	33 7/8" x 24" x 24"	33 7/8" x 24" x 24"
Adjustable feet	Yes	Yes
Net weight (lbs)	69 / 71 lbs	76 lbs

\*Certification to NSF/ANSI Standard 184 for residential dishwashers.

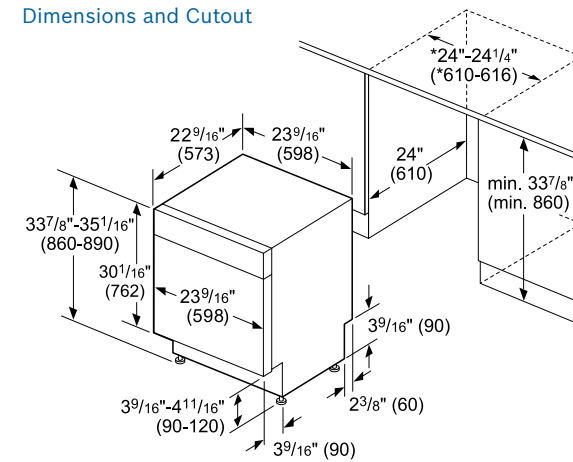
\*\*September 2020 running production change to remove adhesive routing clips for power cord. These clips and the edge protector are now included in the dishwasher accessory kit # SMZEPC1UC.

### Optional Accessories

SMZPCJB1UC Junction Box	SGZ1010UC Drain Hose Extension 76 3/4"	SMZ5000 Accessory Kit: Extra Tall Item Sprinkler, Vase and Bottle Holder, 3 Plastic Item Clips and Small Item Basket	SMZ4000UC DoubleFlex Silverware Basket	SMZEPC1UC Edge Protector + Power Cord Clip Install Kit
----------------------------	---	---	---	---

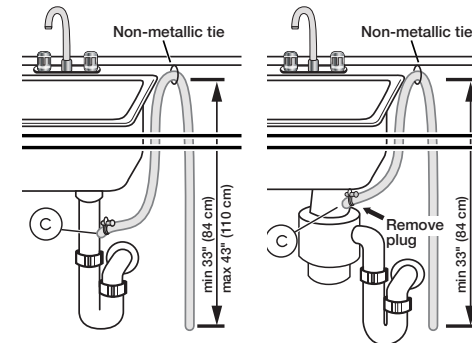
# 100 Series Dishwashers

### Dimensions and Cutout



\*23 5/8" (600) without decor strips measurements in inches (mm)

### Plumbing

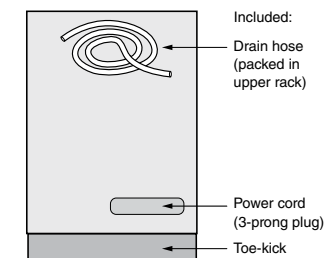


Note: Plumbing installations will vary - refer to local codes. Drain hose included is 90 1/2" (230 cm) and can be extended to a maximum of 168 1/2" (428 cm).

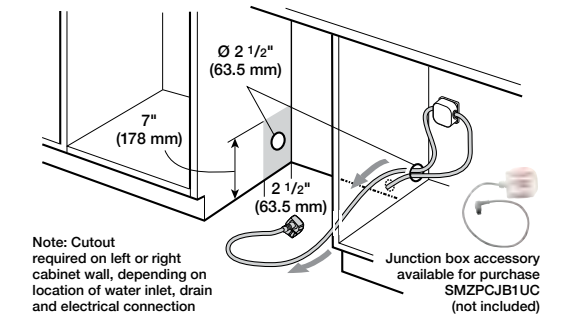
Always use the approved drain hose extension kit (SGZ1010UC).

Ensure a portion of the drain hose is raised between min. 33" (84 cm) and max. 43" (110 cm) above the cabinet floor.

### Included Parts & Accessories

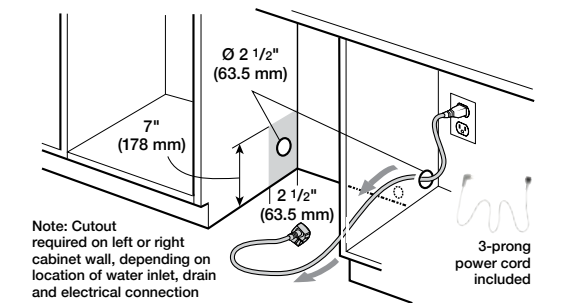


### Example of Hardwire Installation



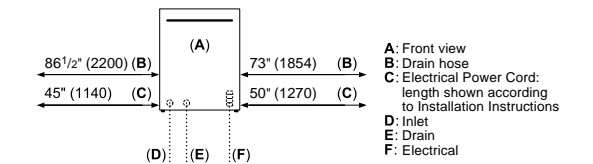
Note: Cutout required on left or right cabinet wall, depending on location of water inlet, drain and electrical connection. Junction box accessory available for purchase SMZPCJB1UC (not included)

### Example of Electrical Receptacle Installation



Note: Cutout required on left or right cabinet wall, depending on location of water inlet, drain and electrical connection. 3-prong power cord included

### Water and Electrical Locations



The electrical power cord and drain connections are in the rear of the appliance. The inlet is in the front. Extension for drain hose available as accessory. Junction Box for hard wired connection available as an accessory. measurements in inches (mm)



# 100 Series Dishwashers



- 5** 100 Series  
\*SHXM4AY5\_N
- 2** +48 dBA  
• Anti-fingerprint (SHXM4AY55N)  
+3rd Rack
- 6** +InfoLight®  
+3-Level RackMatic®
- 4** Black Stainless Steel

+ Indicates a step-up feature

\* Multiple colors available. See color chips to fill in missing digit.

## 100 Series

Bar Handle – SHXM4AY5\_N

General Properties	
Number of wash cycles / options	5 / 4
dBA	48
Drying system	PureDry®
Third rack	Standard 3rd rack
Rack adjustability	3-Level RackMatic®
Tub material	Stainless steel / polypropylene
Control type	Buttons
Concealed water heating element	Yes
Leak protection system	24/7 Overflow Protection
NSF®-certified* sanitize option	Yes
Water softener	No
Five-level wash	Yes
ChildLock	No
TFT display	No
InfoLight®	Yes
Special features	3rd Rack, InfoLight®, Anti-fingerprint (SHXM4AY55N)
Efficiency and Capacity	
Water usage per cycle	3.2
Energy efficiency class	Tier 1
ENERGY STAR® qualified	Yes
Total annual energy / water consumption	269 kWh / 688 g
Number of place settings	15
Technical Data	
Watts (W)	1440 W
Current (A) / Volts (V) / Frequency (Hz)	12 A / 120 V / 60 Hz
Power cord full length	67"
Power cord install length from edge of unit when facing the door (in)**	Left – 45" Right – 50"
Minimum water pressure (lb / sin)	15
Length outlet hose (in)	90 1/2"
Dimensions & Weight	
Overall appliance dimensions (HxWxD) (in)	33 7/8" x 23 9/16" x 22 9/16"
Required cutout size (HxWxD) (in)	33 7/8" x 24" x 24"
Adjustable feet	Yes
Net weight (lbs)	76 lbs

\*Certification to NSF/ANSI Standard 184 for residential dishwashers.

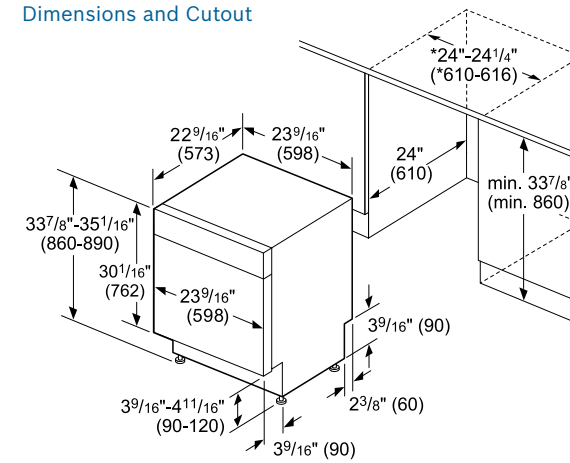
\*\*September 2020 running production change to remove adhesive routing clips for power cord. These clips and the edge protector are now included in the dishwasher accessory kit # SMZEPCC1UC.

### Optional Accessories

SMZPCJB1UC Junction Box	SGZ1010UC Drain Hose Extension 76 3/4"	SMZ5000 Accessory Kit: Extra Tall Item Sprinkler, Vase and Bottle Holder, 3 Plastic Item Clips and Small Item Basket	SMZ4000UC DoubleFlex Silverware Basket	SMZEPCC1UC Edge Protector + Power Cord Clip Install Kit
----------------------------	--	---	--	---

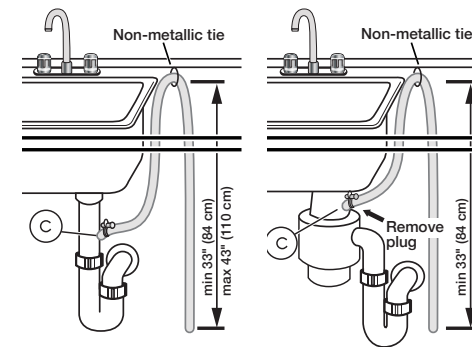
# 100 Series Dishwashers

## Dimensions and Cutout



\*23 5/8" (600) without decor strips measurements in inches (mm)

## Plumbing

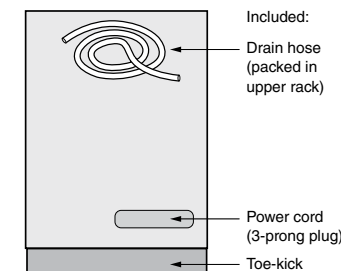


Note: Plumbing installations will vary - refer to local codes. Drain hose included is 90 1/2" (230 cm) and can be extended to a maximum of 168 1/2" (428 cm).

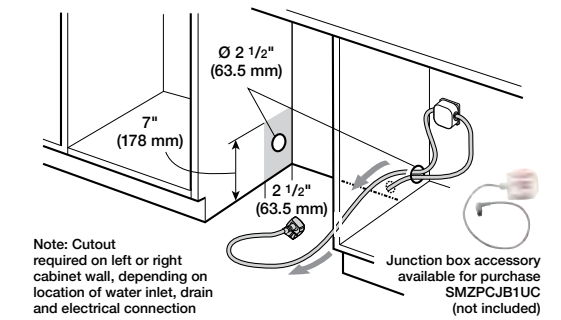
Always use the approved drain hose extension kit (SGZ1010UC).

Ensure a portion of the drain hose is raised between min. 33" (84 cm) and max. 43" (110 cm) above the cabinet floor.

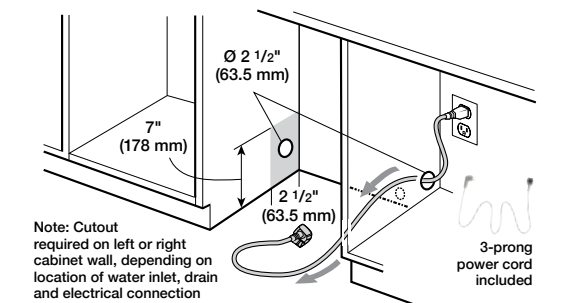
## Included Parts & Accessories



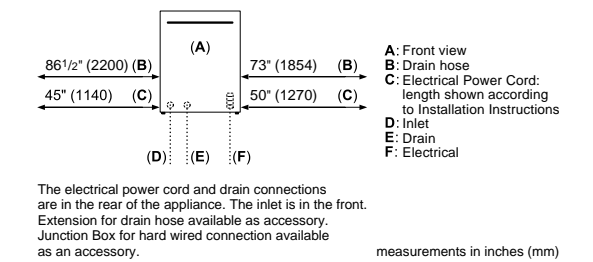
## Example of Hardwire Installation



## Example of Electrical Receptacle Installation



## Water and Electrical Locations



The electrical power cord and drain connections are in the rear of the appliance. The inlet is in the front. Extension for drain hose available as accessory. Junction Box for hard wired connection available as an accessory. measurements in inches (mm)



# 300 Series / DLX Dishwashers



5  
300 Series  
\*SHEM63W5\_N  
\*SHSM63W5\_N



2  
300 Series  
SHXM63W55N  
SHVM63W53N



5  
300 Series DLX  
+ ExtraScrub Option  
\*SHS863WD\_N  
+ DoubleFlex  
SHX863WD5N  
Silverware Basket  
SHV863WD3N

+44 dBA  
+ Standard 3rd Rack  
+ FlexSpace™ Tines  
+ PrecisionWash®  
+ 16 Place Settings  
+ 24/7 AquaStop®

+ Water Softener  
+ Touch Control

+ Indicates a step-up feature  
\* Multiple colors available. See color chips to fill in missing digit.

300 Series	300 Series	300 Series DLX
Recessed Handle – SHEM63W5_N Scoop Handle – SHSM63W5_N Bar Handle – SHXM63W55N Custom Panel – SHVM63W53N	Bar Handle – SHXM63W55N	Scoop Handle – SHS863WD_N Bar Handle – SHX863WD5N Custom Panel – SHV863WD3N

General Properties	300 Series	300 Series	300 Series DLX
Number of wash cycles / options	5 / 4	5 / 4	5 / 5
dBA	44	44	44
Drying system	PureDry®	PureDry®	PureDry®
Third rack	Standard 3rd rack	Standard 3rd rack	Standard 3rd rack
Rack adjustability	RackMatic®	RackMatic®	RackMatic®
Tub material	Stainless steel	Stainless steel	Stainless steel
Control type	Buttons	Touch control	Buttons
Concealed water heating element	Yes	Yes	Yes
Leak protection system	24/7 AquaStop®	24/7 AquaStop®	24/7 AquaStop®
NSF®-certified* sanitize option	Yes	Yes	Yes
Water softener	No	Yes	No
Five-level wash	Yes	Yes	Yes
ChildLock	Yes (recessed handle model only)	No	No
InfoLight®	Yes (except recessed handle model)	Yes	Yes
Special features	InfoLight®, Extra Dry option	Water softener, InfoLight®, Extra Dry option	InfoLight®, Extra Dry option

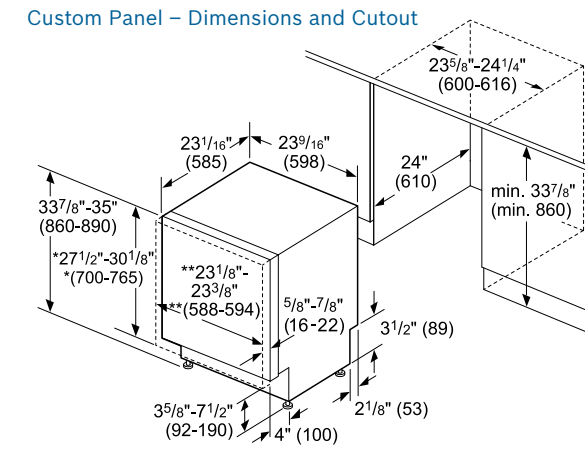
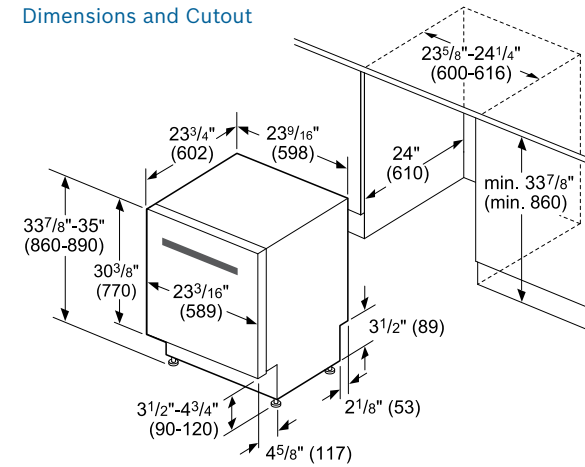
Efficiency and Capacity	300 Series	300 Series	300 Series DLX
Water usage per cycle	3.5	3.5	3.5
Energy efficiency class	Tier 1	Tier 1	Tier 1
ENERGY STAR® qualified	Yes	Yes	Yes
Total annual energy / water consumption	269 kWh / 623.5 g	269 kWh / 623.5 g	269 kWh / 623.5 g
Number of place settings	16	16	16

Technical Data	300 Series	300 Series	300 Series DLX
Watts (W)	1440 W	1440 W	1440 W
Current (A) / Volts (V) / Frequency (Hz)	12 A / 120 V / 60 Hz	12 A / 120 V / 60 Hz	12 A / 120 V / 60 Hz
Power cord full length	67"	67"	67"
Power cord install length from edge of unit when facing the door (in)**	Left – 45" Right – 56"	Left – 45" Right – 56"	Left – 45" Right – 56"
Minimum water pressure (lb / sin)	14	14	14
Length outlet hose (in)	79"	79"	79"

Dimensions & Weight	300 Series	300 Series	300 Series DLX
Overall appliance dimensions (HxWxD) (in)	33 7/8" x 23 9/16" x 23 3/4" (Custom panel D: 23 1/16")	33 7/8" x 23 9/16" x 23 3/4"	33 7/8" x 23 9/16" x 23 3/4" (Custom panel D: 23 1/16")
Required cutout size (HxWxD) (in)	33 7/8" x 23 5/8" x 24"	33 7/8" x 23 5/8" x 24"	33 7/8" x 23 5/8" x 24"
Adjustable feet	Yes	Yes	Yes
Net weight (lbs)	91 / 91 / 91 / 88 lbs	95 lbs	91 / 91 / 88 lbs

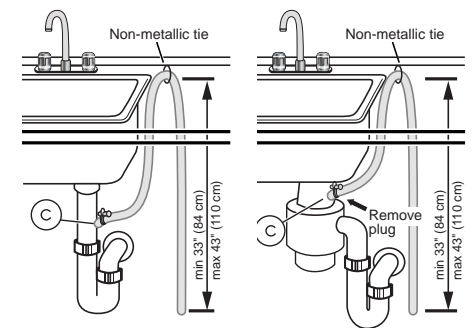
\*Certification to NSF/ANSI Standard 184 for residential dishwashers.  
\*\*September 2020 running production change to remove adhesive routing clips for power cord. These clips and the edge protector are now included in the dishwasher accessory kit # SMZEPCC1UC

# 300 Series / DLX Dishwashers



\* measured from the bottom edge of the countertop panel thickness recommended 3/4" (20 mm).  
This dishwasher can accept custom door panel weights ranging from 7 to 24 lbs; however, the dishwasher comes from the factory ready for custom panel door weights from 11 to 18 lbs.  
If you plan on using a door panel that is not 11 to 18 lbs, please contact customer service at (800) 944-2904.  
\*\* 24" (610 mm) wide panel may be used depending on cabinet design  
Note: Refer to installation template for mounting hardware locations measurements in inches (mm)

## Plumbing



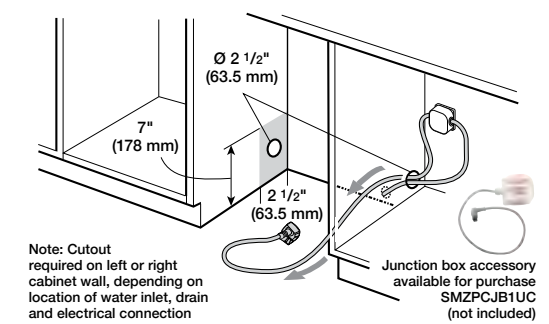
Note: Plumbing installations will vary - refer to local codes. Drain hose included is 79" (201 cm) and can be extended to a maximum of 155 3/4" (396 cm).  
Always use the approved drain hose extension kit (SGZ1010UC).  
Ensure a portion of the drain hose is raised between min. 33" (84 cm) and max. 43" (110 cm) above the cabinet floor.

## Optional Accessories

SMZPCJB1UC Junction Box	SMZSH002UC Bosch Dishwasher Water Supply Hose	SGZ1010UC Drain Hose Extension 76 3/4"	SMZ1007UC Stainless Steel Straight Bosch Bar Handle (for custom panel models)	SMZ5002UC Anti-Tarnish Silverware Cassette	SGZ9091UC Softener Salt (4.4 lbs; for water softener models)
----------------------------	---	--	--	--	---

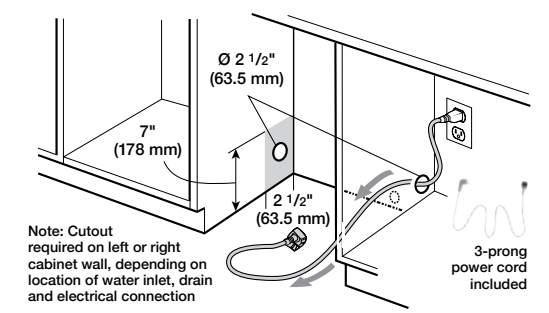
SMZ5000  
Accessory Kit: Extra Tall Item Sprinkler, Vase and Bottle Holder, 3 Plastic Item Clips and Small Item Basket

## Example of Hardwire Installation



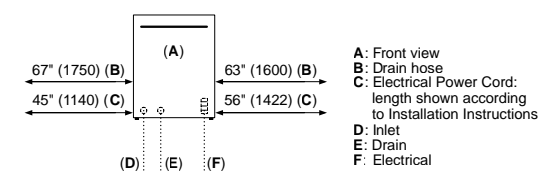
Note: Cutout required on left or right cabinet wall, depending on location of water inlet, drain and electrical connection  
Junction box accessory available for purchase SMZPCJB1UC (not included)

## Example of Electrical Receptacle Installation



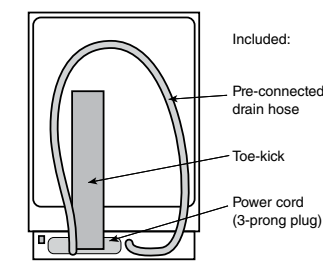
Note: Cutout required on left or right cabinet wall, depending on location of water inlet, drain and electrical connection  
3-prong power cord included

## Water and Electrical Locations



All connections are at the rear of the appliance. Extension for drain hose available as accessory. Junction Box for hard wired connection available as an accessory.  
Measurements in inches (mm)

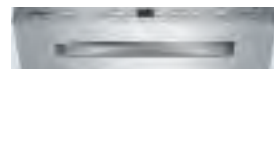
## Included Parts & Accessories



# 500 Series / DLX Dishwashers



- 5** 500 Series  
\*SHPM65Z5\_N  
SHXM65Z55N
- 2** • 44dBA  
+ Pocket Handle Design
- 6** + Flexible 3rd Rack  
+ EasyGlide™ Rack System Upper Rack  
• AutoAir® Drying Option



- 5** 500 Series DLX  
\*SHP865ZD\_N
- 2** + ExtraScrub Option  
+ DoubleFlex Silverware Basket
- 6**

+ Indicates a step-up feature  
\* Multiple colors available. See color chips to fill in missing digit.

	500 Series	500 Series DLX
	Pocket Handle – SHPM65Z5_N Bar Handle – SHXM65Z55N	Pocket Handle – SHP865ZD_N
General Properties		
Number of wash cycles / options	5 / 5	5 / 5
dBA	44	44
Drying system	AutoAir® option	AutoAir® option
Third rack	Flexible 3rd rack	Flexible 3rd rack
Rack adjustability	RackMatic®	RackMatic®
Tub material	Stainless steel	Stainless steel
Control type	Buttons	Buttons
Concealed water heating element	Yes	Yes
Leak protection system	24/7 AquaStop®	24/7 AquaStop®
NSF®-certified* sanitize option	Yes	Yes
Water softener	No	No
Five-level wash	Yes	Yes
ChildLock	No	No
TFT display	No	No
InfoLight®	Yes	Yes
Special features	InfoLight®, AutoAir® option	InfoLight®, AutoAir® option

Efficiency and Capacity		
Water usage per cycle	3.5	3.5
Energy efficiency class	Tier 1	Tier 1
ENERGY STAR® qualified	Yes	Yes
Total annual energy / water consumption	269 kWh / 623.5 g	269 kWh / 623.5 g
Number of place settings	16	16

Technical Data		
Watts (W)	1440 W	1440 W
Current (A) / Volts (V) / Frequency (Hz)	12 A / 120 V / 60 Hz	12 A / 120 V / 60 Hz
Power cord full length	67"	67"
Power cord install length from edge of unit when facing the door (in)**	Left – 45" Right – 56"	Left – 45" Right – 56"
Minimum water pressure (lb / sin)	14	14
Length outlet hose (in)	79"	79"

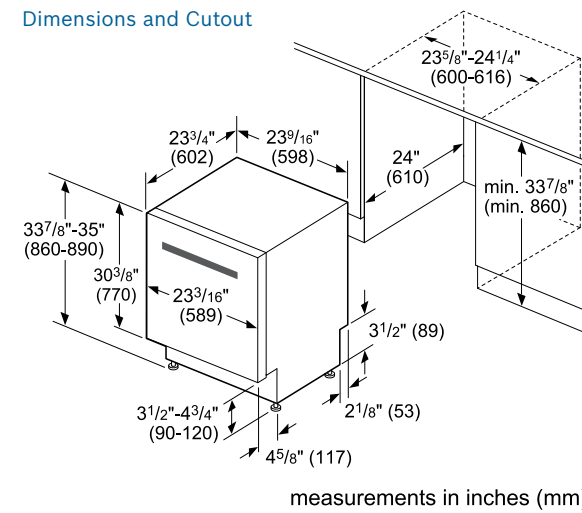
Dimensions & Weight		
Overall appliance dimensions (HxWxD) (in)	33 7/8" x 23 9/16" x 23 3/4"	33 7/8" x 23 9/16" x 23 3/4"
Required cutout size (HxWxD) (in)	33 7/8" x 23 5/8" x 24"	33 7/8" x 23 5/8" x 24"
Adjustable feet	Yes	Yes
Net weight (lbs)	91 lbs	91 lbs

\*Certification to NSF/ANSI Standard 184 for residential dishwashers.  
\*\*September 2020 running production change to remove adhesive routing clips for power cord. These clips and the edge protector are now included in the dishwasher accessory kit # SMZEPCC1UC

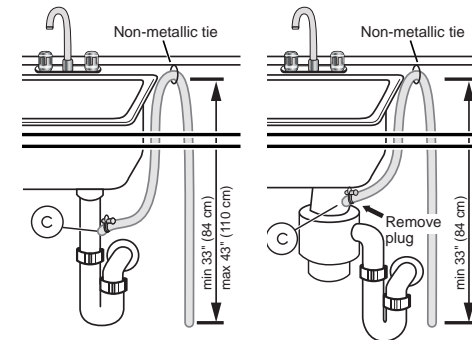
Optional Accessories					
SMZPCJB1UC Junction Box	SMZSH002UC Bosch Dishwasher Water Supply Hose	SGZ1010UC Drain Hose Extension 76 3/4"	SMZ5000 Accessory Kit: Extra Tall Item Sprinkler, Vase and Bottle Holder, 3 Plastic Item Clips and Small Item Basket	SMZ5002UC Anti-Tarnish Silverware Cassette	SMZEPCC1UC Edge Protector + Power Cord Clip Install Kit

# 500 Series / DLX Dishwashers

## Dimensions and Cutout



## Plumbing

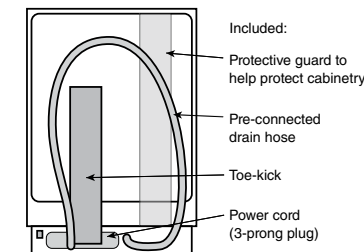


Note: Plumbing installations will vary - refer to local codes. Drain hose included is 79" (201 cm) and can be extended to a maximum of 155 3/4" (396 cm).

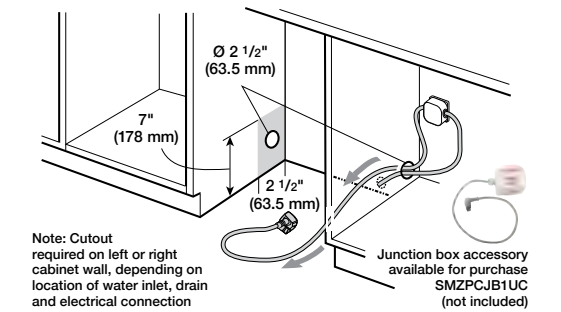
Always use the approved drain hose extension kit (SGZ1010UC).

Ensure a portion of the drain hose is raised between min. 33" (84 cm) and max. 43" (110 cm) above the cabinet floor.

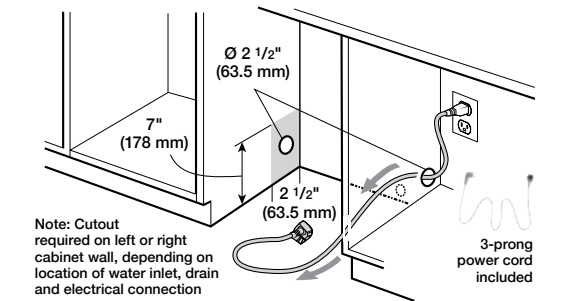
## Included Parts & Accessories



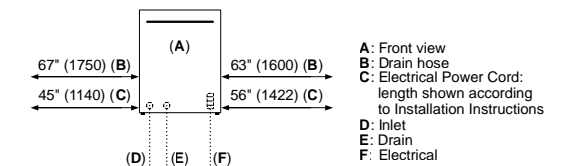
## Example of Hardwire Installation



## Example of Electrical Receptacle Installation



## Water and Electrical Locations

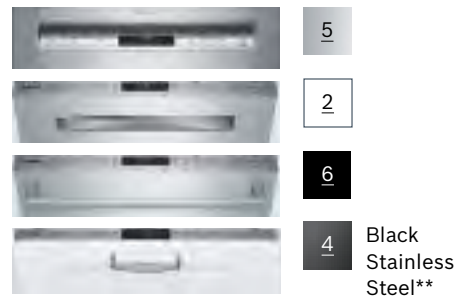


All connections are at the rear of the appliance. Extension for drain hose available as accessory. Junction Box for hard wired connection available as an accessory.

Measurements in inches (mm)



# 800 Series / DLX Dishwashers



- 800 Series +42 dBA
- \*SHEM78Z5\_N + Touch Control
- \*SHPM78Z5\_N Technology
- \*SHXM78Z5\_N + 6 Cycles / 5 Options
- SHVM78Z53N • CrystalDry™ Drying

- 800 Series DLX + ExtraScrub Option
- \*SHE878ZD\_N + DoubleFlex
- \*SHP878ZD\_N Silverware Basket
- \*SHX878ZD\_N + 6 Cycles / 6 Options
- SHV878ZD3N

- 800 Series Premium +40 dBA
- SHPM88Z75N + MyWay®
- SHXM88Z75N Rack
- SHVM88Z73N

+ Indicates a step-up feature  
 \* Multiple colors available. See color chips to fill in missing digit.  
 \*\*Black Stainless Steel available only on pocket handle and bar handle models

800 Series	800 Series DLX	800 Series Premium
Recessed Handle – SHEM78Z5_N	Recessed Handle – SHE878ZD_N	Pocket Handle – SHPM88Z75N
Pocket Handle – SHPM78Z5_N	Pocket Handle – SHP878ZD_N	Bar Handle – SHXM88Z75N
Bar Handle – SHXM78Z5_N	Bar Handle – SHX878ZD_N	Custom Panel – SHVM88Z73N
Custom Panel – SHVM78Z53N	Custom Panel – SHV878ZD3N	

General Properties	800 Series	800 Series DLX	800 Series Premium
Number of wash cycles / options	6 / 5	6 / 6	6 / 6
dBA	42	42	40
Drying system	CrystalDry™ option	CrystalDry™ option	CrystalDry™ option
Third rack	Flexible 3rd rack	Flexible 3rd rack	MyWay® Rack
Rack adjustability	RackMatic®	RackMatic®	RackMatic®
Tub material	Stainless steel	Stainless steel	Stainless steel
Control type	Touch control	Touch control	Touch control
Cealed water heating element	Yes	Yes	Yes
Leak protection system	24/7 AquaStop®	24/7 AquaStop®	24/7 AquaStop®
NSF®-certified* sanitize option	Yes	Yes	Yes
Water softener	No	No	No
Five-level wash	Yes	Yes	Yes
ChildLock	Yes (recessed handle model only)	Yes (recessed handle model only)	No
InfoLight®	Yes (except recessed handle model)	Yes (except recessed handle model)	Yes
Special features	Speed60®	Speed60®	InfoLight®, Speed60®

Efficiency and Capacity	800 Series	800 Series DLX	800 Series Premium
Water usage per cycle	3.5	3.5	3.5
ENERGY STAR® qualified	Yes, Tier 1	Yes, Tier 1	Yes, Tier 1
Total annual energy / water consumption	269 kWh / 623.5 g	269 kWh / 623.5 g	269 kWh / 623.5 g
Number of place settings	16	16	16

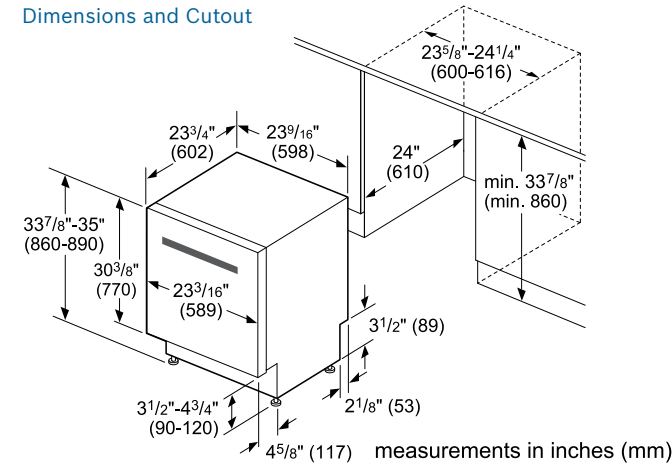
Technical Data	800 Series	800 Series DLX	800 Series Premium
Watts (W)	1440 W	1440 W	1440 W
Current (A) / Volts (V) / Frequency (Hz)	12 A / 120 V / 60 Hz	12 A / 120 V / 60 Hz	12 A / 120 V / 60 Hz
Power cord full length	67"	67"	67"
Power cord install length from edge of unit when facing the door (in)**	Left – 45" Right – 56"	Left – 45" Right – 56"	Left – 45" Right – 56"
Minimum water pressure (lb / sin)	14	14	14
Length outlet hose (in)	79"	79"	79"

Dimensions & Weight	800 Series	800 Series DLX	800 Series Premium
Overall appliance dimensions (HxWxD) (in) (adjustable feet)	33 7/8" x 23 9/16" x 23 3/4"	33 7/8" x 23 9/16" x 23 3/4"	33 7/8" x 23 9/16" x 23 3/4"
Required cutout size (HxWxD) (in)	33 7/8" x 23 5/8" x 24"	33 7/8" x 23 5/8" x 24"	33 7/8" x 23 5/8" x 24"
Net weight (lbs)	102 / 102 / 102 / 99 lbs	102 / 99 lbs	116 / 116 / 113 lbs

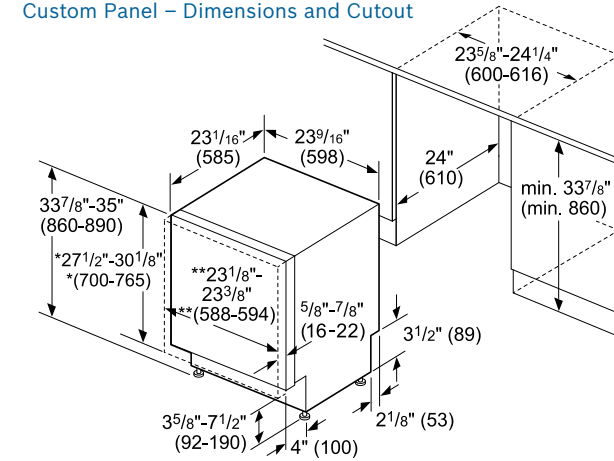
\*Certification to NSF/ANSI Standard 184 for residential dishwashers.  
 \*\*September 2020 running production change to remove adhesive routing clips for power cord. These clips and the edge protector are now included in the dishwasher accessory kit # SMZEPCC1UC

# 800 Series / DLX Dishwashers

## Dimensions and Cutout

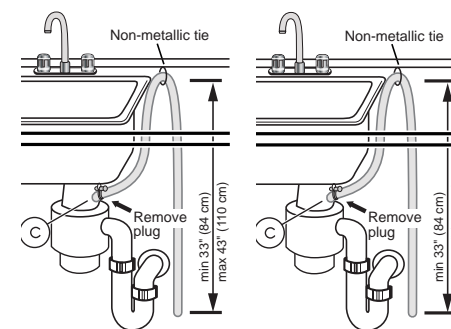


## Custom Panel – Dimensions and Cutout



\* measured from the bottom edge of the countertop panel thickness recommended 3/4" (20 mm).  
 This dishwasher can accept custom door panel weights ranging from 7 to 24 lbs; however, the dishwasher comes from the factory ready for custom panel door weights from 11 to 18 lbs. If you plan on using a door panel that is not 11 to 18 lbs, please contact customer service at (800) 944-2904.  
 \*\* 24" (610 mm) wide panel may be used depending on cabinet design  
 Note: Refer to installation template for mounting hardware locations

## Plumbing

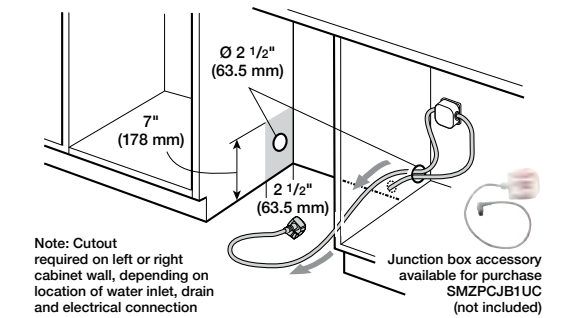


Note: Plumbing installations will vary - refer to local codes. Drain hose included is 79" (201 cm) and can be extended to a maximum of 155 3/4" (396 cm).  
 Always use the approved drain hose extension kit (SGZ1010UC).  
 Ensure a portion of the drain hose is raised between min. 33" (84 cm) and max. 43" (110 cm) above the cabinet floor.

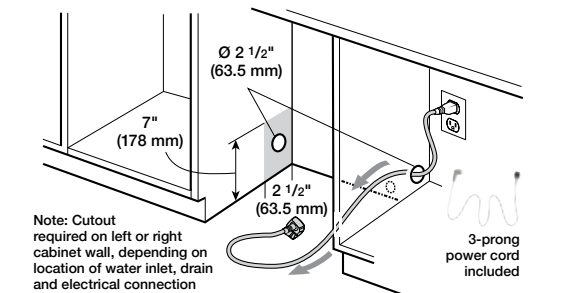
## Optional Accessories

SMZPCJB1UC Junction Box	SMZSH002UC Bosch Dishwasher Water Supply Hose	SGZ1010UC Drain Hose Extension 76 3/4"	SMZ5002UC Anti-Tarnish Silverware Cassette	SMZEPCC1UC Edge Protector + Power Cord Clip Install Kit
SMZCD200UC Flexible 3rd Rack	SMZ1007UC Stainless Steel Bosch Dishwasher Bar Handle	SMZ5000 Accessory Kit: Extra Tall Item Sprinkler, Vase and Bottle Holder, 3 Plastic Item Clips and Small Item Basket		SMZ4026 (Small) SMZ5400 (Large) Silverware Insert for MyWay® Rack

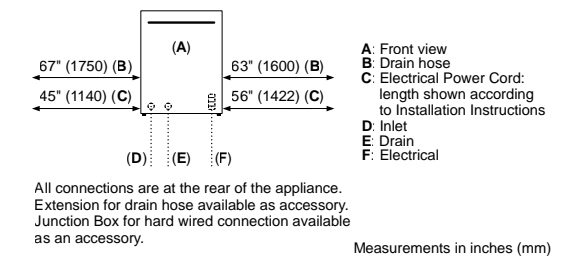
## Example of Hardwire Installation



## Example of Electrical Receptacle Installation

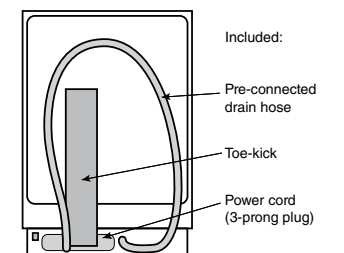


## Water and Electrical Locations



All connections are at the rear of the appliance. Extension for drain hose available as accessory. Junction Box for hard wired connection available as an accessory.  
 Measurements in inches (mm)

## Included Parts & Accessories



# 800 Series Dishwasher



- 800 Series with Home Connect™**
- 42 dBA
  - Flexible 3rd Rack
  - Home Connect™
  - CrystalDry™



+ Indicates a step-up feature

**800 Series with Home Connect™**  
Recessed Handle – SHEM78ZH5N

General Properties	
Number of wash cycles / options	6 / 6
dBA	42
Drying system	CrystalDry™ option
Third rack	Flexible 3rd rack
Rack adjustability	RackMatic®
Tub material	Stainless steel
Control type	Touch control
Concealed water heating element	Yes
Leak protection system	24/7 AquaStop®
Water softener	No
Five-level wash	Yes
ChildLock	No
InfoLight®	No
Special features	Home Connect™ (WiFi enabled)

Efficiency and Capacity	
Water usage per cycle	3.5
Energy efficiency class	Tier 1
ENERGY STAR® qualified	Yes
Total annual energy / water consumption	269 kWh / 623.5 g
Number of place settings	16

Technical Data	
Watts (W)	1440 W
Current (A) / Volts (V) / Frequency (Hz)	12 A / 120 V / 60 Hz
Power cord length	67"
– Install length from corner of unit	45"
Minimum water pressure (lb / sin)	14
Length outlet hose (in)	79"

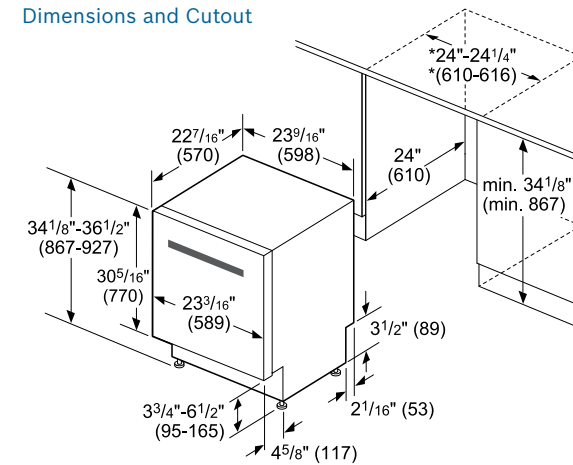
Dimensions & Weight	
Overall appliance dimensions (HxWxD) (in)	33 7/8" x 23 9/16" x 23 3/4"
Required cutout size (HxWxD) (in)	33 7/8" x 23 5/8" x 24"
Adjustable feet	Yes
Net weight (lbs)	102 lbs

**Optional Accessories**

<b>SMZPCJB1UC</b> Junction Box	<b>SMZSH002UC</b> Bosch Dishwasher Water Supply Hose	<b>SGZ1010UC</b> Drain Hose Extension 76 3/4"	<b>SMZ5000</b> Accessory Kit: Extra Tall Item Sprinkler, Vase and Bottle Holder, 3 Plastic Item Clips and Small Item Basket	<b>SMZ5002UC</b> Anti-Tarnish Silverware Cassette	<b>SMZEPCC1UC</b> Edge Protector + Power Cord Clip Install Kit
-----------------------------------	---	--	--	--	---

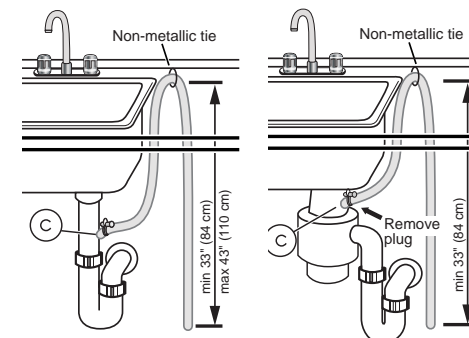
# 800 Series Dishwasher

## Dimensions and Cutout



\*23 5/8" (600) without decor strips measurements in inches (mm)

## Plumbing

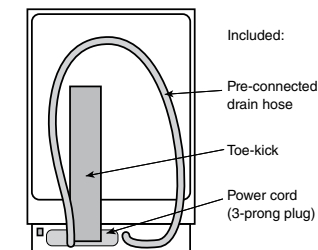


Note: Plumbing installations will vary - refer to local codes. Drain hose included is 79" (201 cm) and can be extended to a maximum of 155 3/4" (396 cm).

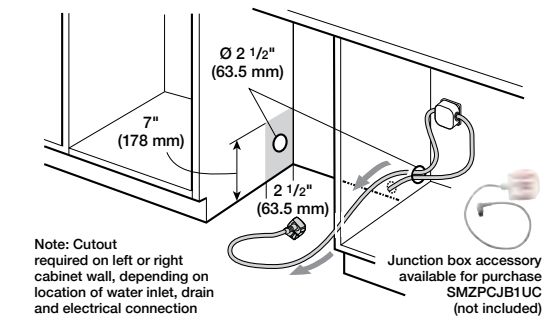
Always use the approved drain hose extension kit (SGZ1010UC).

Ensure a portion of the drain hose is raised between min. 33" (84 cm) and max. 43" (110 cm) above the cabinet floor.

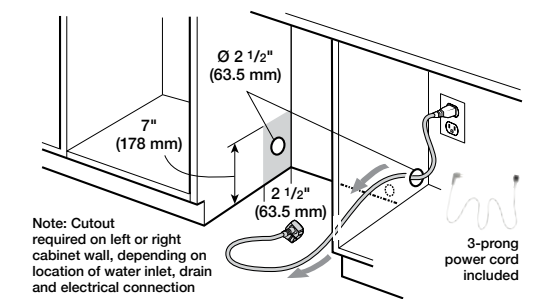
## Included Parts & Accessories



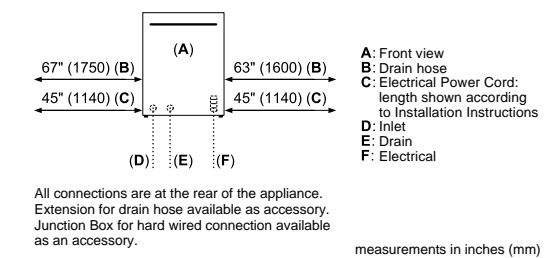
## Example of Hardwire Installation



## Example of Electrical Receptacle Installation



## Water and Electrical Locations





# 18-Inch ADA Compliant Dishwashers



- 5** 18-Inch ADA 300 Series  
\*SPE53U5\_UC
- 2** • 46 dBA
- 4 Cycles / 4 Options
- Water Softener
- 6** • 24/7 AquaStop® Plus
- Delay Start Timer



- 18-Inch ADA 800 Series
- SPE68U55UC
- SPX68U55UC
- SPV68U53UC
- +44 dBA
- +6 Cycles / 5 Options
- +Standard 3rd Rack
- +Delicate Cycle

+ Indicates a step-up feature

\* Multiple colors available. See color chips to fill in missing digit.

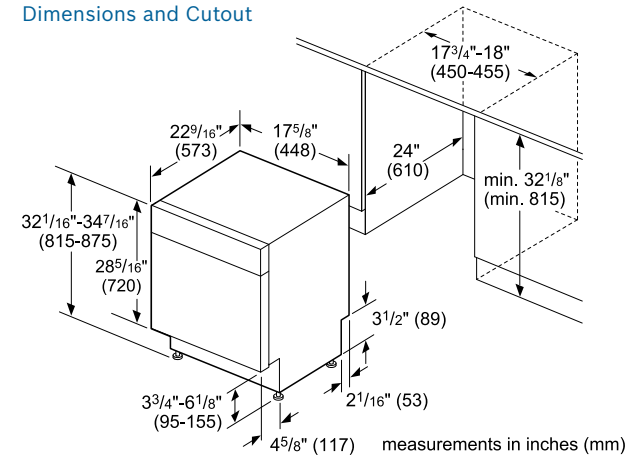
	18-Inch ADA 300 Series	18-Inch ADA 800 Series
	Recessed Handle – SPE53U5_UC	Recessed Handle – SPE68U55UC Bar Handle – SPX68U55UC Custom Panel – SPV68U53UC

General Properties		
Number of wash cycles / options	4 / 4	6 / 5
dBA	46	44
Drying system	PureDry®	PureDry®
Third rack	No	Standard 3rd rack
Rack adjustability	RackMatic®	RackMatic®
Tub material	Stainless steel	Stainless steel
Control type	Buttons	Buttons
Concealed water heating element	Yes	Yes
Leak protection system	24/7 AquaStop® Plus	24/7 AquaStop® Plus
Water softener	Yes	Yes
Five-level wash	Yes	Yes
ChildLock	Yes	Recessed handle model only
InfoLight®	No	Bar handle and custom panel models only
Special features	24h Delay start timer	Delicate Cycle
Efficiency and Capacity		
Water usage per cycle	2.9	2.9
Energy efficiency class	Tier 1	Tier 1
ENERGY STAR® qualified	Yes	Yes
Total annual energy / water consumption	259 kWh / 623.5 g	259 kWh / 623.5 g
Number of place settings	9	10
Technical Data		
Watts (W)	1440 W	1440 W
Current (A) / Volts (V) / Frequency (Hz)	12 A / 120 V / 60 Hz	12 A / 120 V / 60 Hz
Power cord length – Install length from corner of unit	67" 45"	67" 45"
Minimum water pressure (lb / sin)	7	7
Length inlet / outlet hose (in)	65" / 80 5/8"	65" / 80 5/8"
Dimensions & Weight		
ADA Compliant	Yes	Yes
Overall appliance dimensions (HxWxD) (in)	32 1/16" x 17 5/8" x 22 9/16"	32 1/16" x 17 5/8" x 22 9/16" (Custom panel D: 21 5/8")
Required cutout size (HxWxD) (in)	32 1/8" x 17 3/4" x 24"	32 1/8" x 17 3/4" x 24" (Custom panel D: min. 22 7/16")
Adjustable feet	Yes	Yes
Net weight (lbs)	72 lbs	76 / 79 / 75 lbs

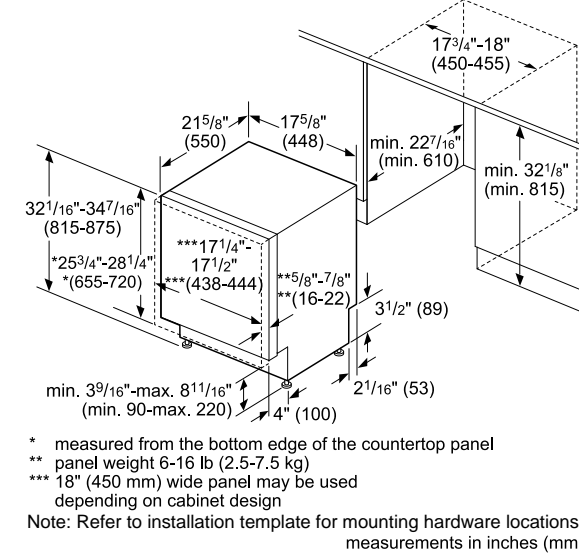
Optional Accessories				
SMZPCJB1UC Junction box	SGZ9091UC Softener Salt (4.4 lbs)	SGZ1010UC Drain Hose Extension 76 3/4"	SMZ5003 Hinge for 4" Toekick Height Installation	SMZEPCC1UC Edge Protector + Power Cord Clip Install Kit

# 18-Inch ADA Compliant Dishwashers

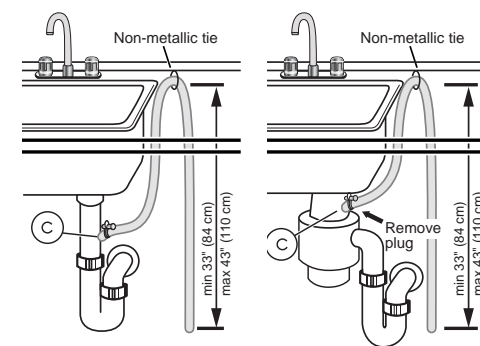
## Dimensions and Cutout



## Custom Panel – Dimensions and Cutout



## Plumbing

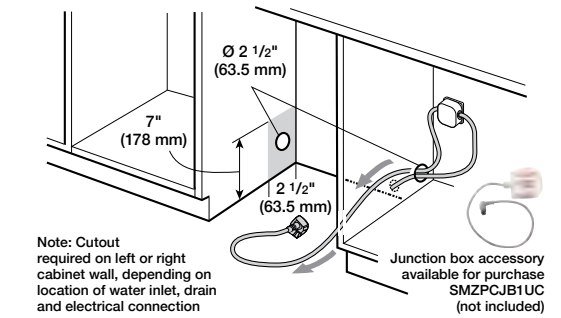


Note: Plumbing installations will vary - refer to local codes. Drain hose included is 79" (201 cm) and can be extended to a maximum of 155 3/4" (396 cm).

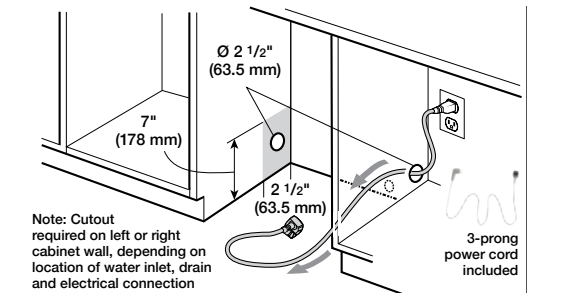
Always use the approved drain hose extension kit (SGZ1010UC).

Ensure a portion of the drain hose is raised between min. 33" (84 cm) and max. 43" (110 cm) above the cabinet floor.

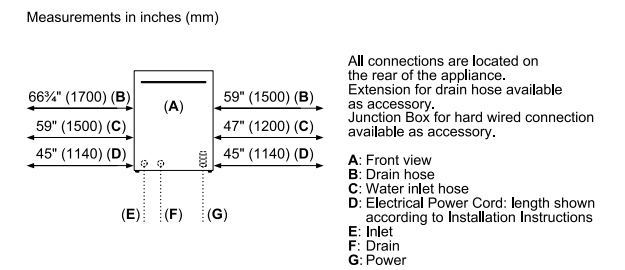
## Example of Hardwire Installation



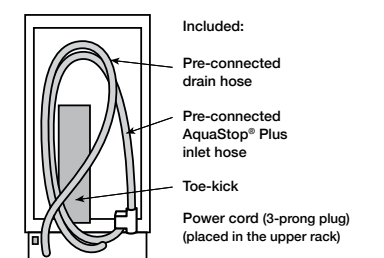
## Example of Electrical Receptacle Installation



## Water and Electrical Locations



## Included Parts & Accessories



Optional Accessories Continued	
SMZ5000 Accessory Kit: Extra Tall Item Sprinkler, Vase and Bottle Holder, 3 Plastic Item Clips and Small Item Basket	SMZ5002UC Anti-Tarnish Silverware Cassette



# 24-Inch ADA Compliant Dishwashers



- 5
- 2
- 6

**24-Inch ADA 300 Series**  
 \*SGE53X5\_UC  
 • 46 dBA  
 • 4 Cycles / 4 Options  
 • Water Softener  
 • 24/7 AquaStop® Plus  
 • Delay Start Timer



**24-Inch ADA 800 Series**  
 SGE68X55UC  
 SGX68U55UC  
 SGV68U53UC  
 +44 dBA  
 +6 Cycles / 5 Options  
 +Standard 3rd Rack  
 +Eco Cycle

+ Indicates a step-up feature

\* Multiple colors available. See color chips to fill in missing digit.

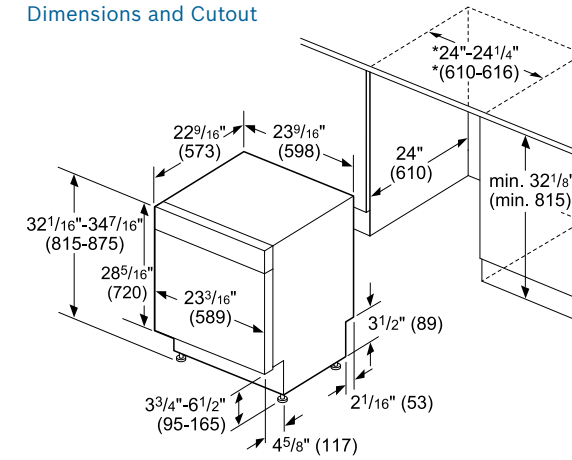
	24-Inch ADA 300 Series	24-Inch ADA 800 Series
	Recessed Handle – SGE53X5_UC	Recessed Handle – SGE68X55UC Bar Handle – SGX68U55UC Custom Panel – SGV68U53UC
<b>General Properties</b>		
Number of wash cycles / options	4 / 4	6 / 5
dBA	46	44
Drying system	PureDry®	PureDry®
Third rack	No	Standard 3rd rack
Rack adjustability	3-step RackMatic®	RackMatic®
Tub material	Stainless steel	Stainless steel
Control type	Buttons	Buttons
Concealed water heating element	Yes	Yes
Leak protection system	24/7 AquaStop® Plus	24/7 AquaStop® Plus
Water softener	Yes	Yes
Five-level wash	Yes	Yes
ChildLock	Yes	Recessed handle model only
InfoLight®	No	Bar handle and custom panel models only
Special features	24h Delay start timer	InfoLight®, Express Cycle
<b>Efficiency and Capacity</b>		
Water usage per cycle	2.9	2.9
Energy efficiency class	Tier 1	Tier 1
ENERGY STAR® qualified	Yes	Yes
Total annual energy / water consumption	259 kWh / 623.5 g	259 kWh / 623.5 g
Number of place settings	14	15
<b>Technical Data</b>		
Watts (W)	1440 W	1440 W
Current (A) / Volts (V) / Frequency (Hz)	12 A / 120 V / 60 Hz	12 A / 120 V / 60 Hz
Power cord length – Install length from corner of unit	67" 45"	67" 45"
Minimum water pressure (lb / sin)	7	7
Length inlet / outlet hose (in)	65" / 74 7/8"	65" / 74 7/8"
<b>Dimensions &amp; Weight</b>		
ADA compliant	Yes	Yes
Overall appliance dimensions (HxWxD) (in)	32 1/16" x 23 9/16" x 22 9/16"	32 1/16" x 23 9/16" x 22 9/16" (Custom panel D: 21 5/8")
Required cutout size (HxWxD) (in)	32 1/8" x 24" x 24"	32 1/8" x 24" x 24"
Adjustable feet	Yes	Yes
Net weight (lbs)	86 lbs	86 / 92 / 87 lbs

**Optional Accessories**

SMZPCJB1UC Junction box	SGZ9091UC Softener Salt (4.4 lbs)	SGZ1010UC Drain Hose Extension 76 3/4"	SMZ5002UC Anti-Tarnish Silverware Cassette	SMZEPCC1UC Edge Protector + Power Cord Clip Install Kit
----------------------------	--------------------------------------	---	---	--

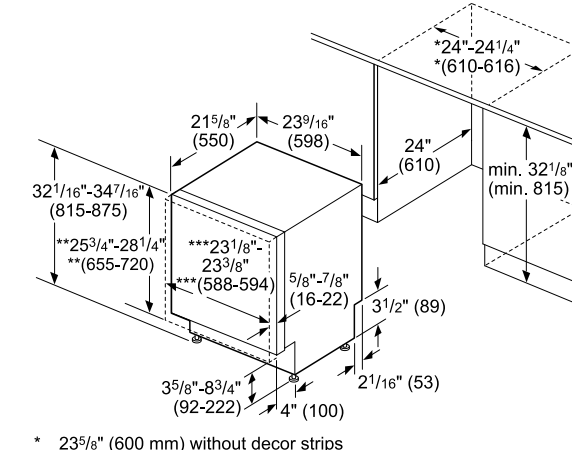
# 24-Inch ADA Compliant Dishwashers

**Dimensions and Cutout**



\* 23 5/8" (600) without decor strips measurements in inches (mm)

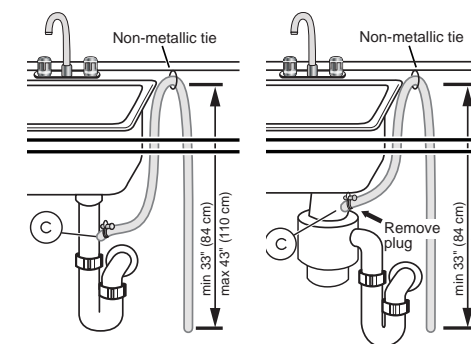
**Custom Panel – Dimensions and Cutout**



\* 23 5/8" (600) without decor strips  
 \*\* measured from the bottom edge of the countertop panel thickness recommended 3/4" (20 mm), panel weight 6-18 lbs (2.5-8.5 kg)  
 \*\*\* 24" (610 mm) wide panel may be used depending on cabinet design

measurements in inches (mm)

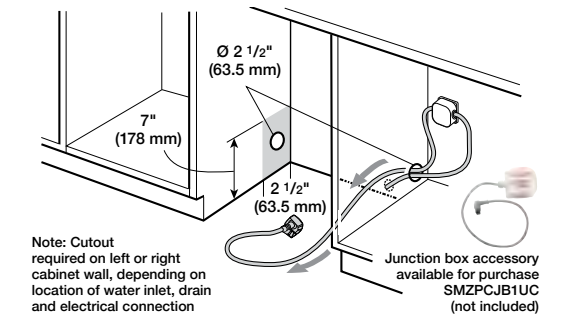
**Plumbing**



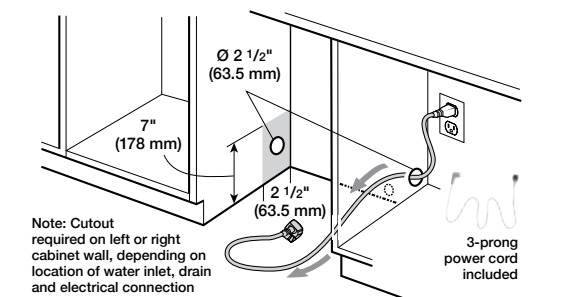
**Optional Accessories Continued**

SMZ5000 Accessory Kit: Extra Tall Item Sprinkler, Vase and Bottle Holder, 3 Plastic Item Clips and Small Item Basket	SMZ1007UC Stainless Steel Bosch Dishwasher Bar Handle
---	--

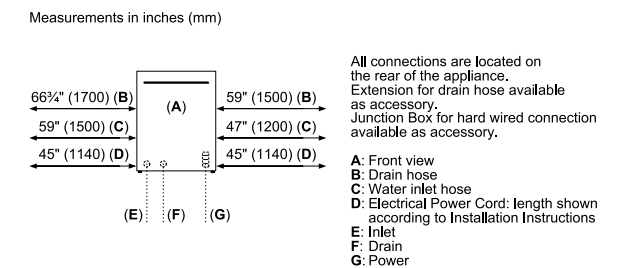
**Example of Hardwire Installation**



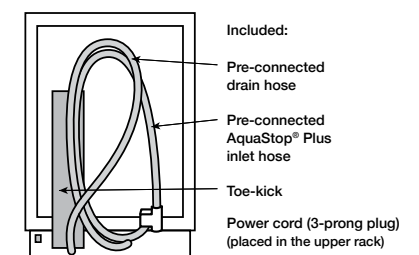
**Example of Electrical Receptacle Installation**



**Water and Electrical Locations**



**Included Parts & Accessories**





# Refrigerators

Introducing the industry's fastest refrigerator ice maker\*, only in the new Bosch counter-depth refrigerators. Enjoy freshly filtered ice, replenished fast. With a refrigerator that makes up to 40 glasses of ice per day\*\*, say farewell to frequent ice runs to the store.

Other models in the counter-depth collection feature dual compressors and dual evaporators, a best-in-class freshness system and innovative features. The FarmFresh System™ has four innovative freshness technologies that are designed to work together to keep your food fresh up to 3x longer\*\*\*, while the adjustable FlexBar® creates extra space in your refrigerator and is completely adaptable to you and your needs.

Explore Bosch built-in and freestanding refrigerators and discover how they blend effortlessly into any kitchen space.

\* Based on single ice maker production rates during a 24-hour period, measured per IEC standard and manufacturer user's manuals, for brands identified in US and Canada TraQline as freestanding French door bottom mount refrigerators.

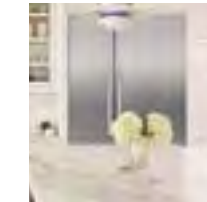
\*\* Based on single ice maker production rates during a 24 hour period, measured per IEC standards, when the ice bin was removed. Results may vary depending on operating conditions. Based on filling 8 oz. glasses.

\*\*\* As compared to a Bosch refrigerator without FarmFresh System™. Results may vary among different foods.



# Benchmark® Series Refrigerators

include these exclusive features:



Bosch built-in refrigerators offer the ultimate integrated look for your kitchen. The unique Optiflex® hinge design allows for **flush installation**, for full integration with your kitchen cabinets.



The innovative **VitaFresh™ system** is designed to extend the preservation of your food with precise temperature and humidity control.



Our redesigned vertical **LED lighting bars** clearly illuminate refrigerator contents.



Bosch built-in refrigerators feature **dual compressors and evaporators** in the refrigerator and freezer sections, optimizing freshness. Not only do they provide more accurate temperature and humidity control, they also help to prevent freezer burn and odor transfer.




Our energy efficient Benchmark® Series refrigerators are **ENERGY STAR® qualified** and designed to use less energy without sacrificing features.



# Benchmark® Series Built-in Single Door Refrigerator / Freezer


**Benchmark® Series**  
**B30IR900SP / B30IR905SP (Avail. 12/20)**  
**30" Built-in Custom Panel Single Door Refrigerator**

- 29 3/4" x 84"
- Custom Panel Ready
- Installs Either Completely Flush or Framed
- Home Connect™
- LED Sidewall and Theater Lighting
- Optiflex® Hinge



**Benchmark® Series**  
**B18IF900SP / B18IF905SP (Avail. 12/20)**  
**18" Built-in Custom Panel Single Door Freezer**

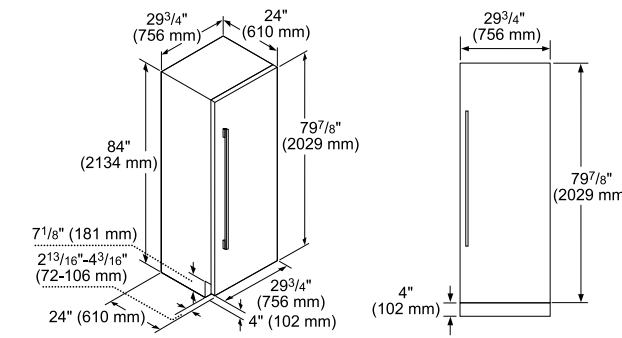
- 17 3/4" x 84"
- Custom Panel Ready
- Installs Either Completely Flush or Framed
- Home Connect™
- All-LED Sidewall and Theater Lighting
- Optiflex® Hinge



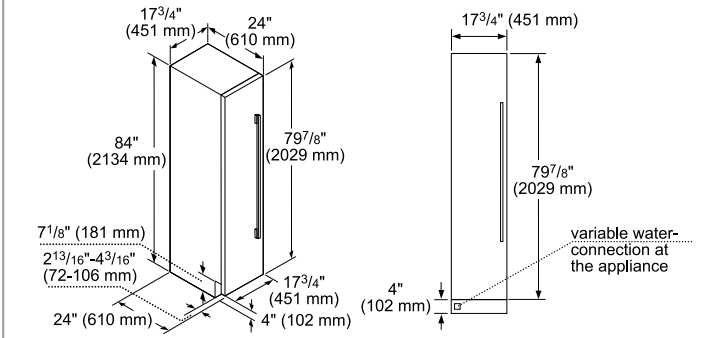
	Benchmark® Series 30" Single Door Refrigerator	Benchmark® Series 18" Single Door Freezer
	Custom Panel – B30IR900SP Custom Panel – B30IR905SP (Avail. 12/20)	Custom Panel – B18IF900SP Custom Panel – B18IF905SP (Avail. 12/20)
<b>General Properties</b>		
Home Connect™ (Wi-Fi Enabled)	Yes	Yes
Reversible door hinge	Yes	Yes
Water filter	No	Yes
Lighting	LED sidewall and theater lighting	All-LED sidewall and theater lighting
Defrost process	Frost-free	Automatic
Number of shelves	7	6
Number of drawers	3	2
Shelf material	Glass w/metal trim	Glass w/metal trim, metal bin
Type of shelves	3 adjustable, 4 full width	2 adjustable, 4 full width
Number of Drawers	3	2
Gallon storage bins	Yes	N/A
Humidity control drawer	Yes	N/A
Ice maker	No	Yes
Quick ice	No	Yes
<b>Capacity</b>		
Total capacity (cu. ft.)	16.8 cu. ft.	8.6 cu. ft.
<b>Technical Details</b>		
Watts (W)	180 W	367 W
Current (A)	15 A	15 A
Volts (V)	120 V	120 V
Frequency (Hz)	60 Hz	60 Hz
Power cord length (in.)	118"	118"
Plug type	3-Prong	3-Prong
<b>Dimensions &amp; Weight</b>		
Appliance dimensions (HxWxD) (in.)	84" x 29 3/4" x 24 3/4"	84" x 17 3/4" x 24 3/4"
Required cutout size (HxWxD) (in.)	84" x 30" x 24 3/4" or 25"	84" x 18" x 24 3/4" or 25"
Net weight (lbs)	261 lbs	332 lbs
<b>Efficiency</b>		
ENERGY STAR® qualified	Yes	Yes
Energy consumption (kWh / yr)	B30IR900SP – 310 kWh B30IR905SP – 279 kWh	B18IF900SP – 443 kWh B18IF905SP – 404 kWh

# Benchmark® Series Built-in Single Door Refrigerator / Freezer

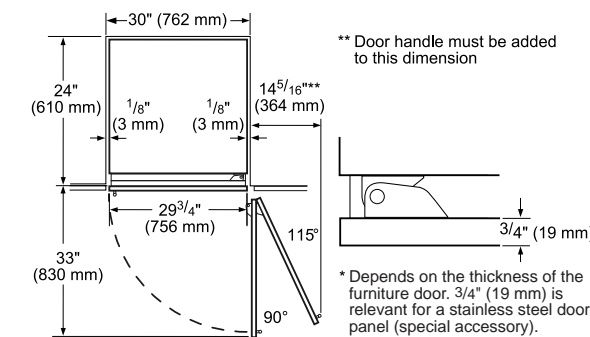
B30IR900SP / B30IR905SP Dimensions



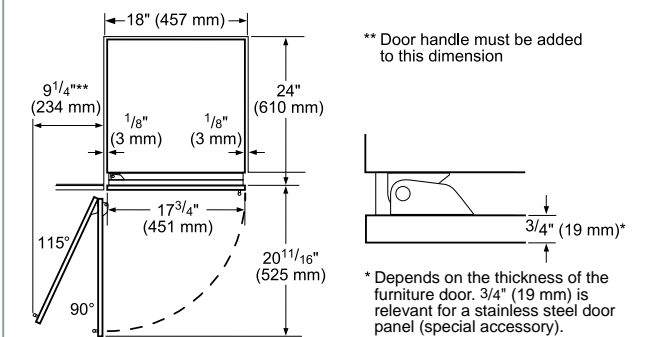
B18IF900SP / B18IF905SP Dimensions



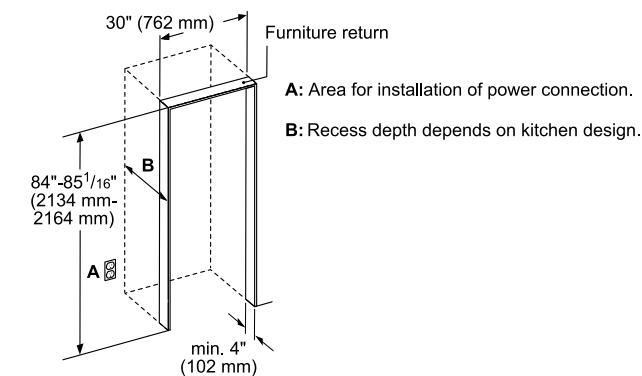
B30IR900SP / B30IR905SP Dimensions (Overhead View)



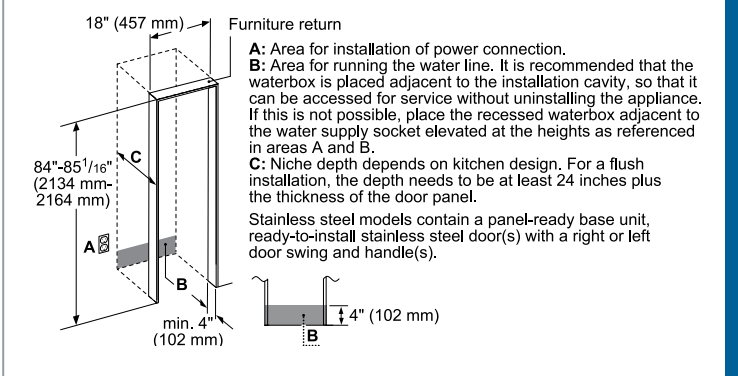
B18IF900SP / B18IF905SP Dimensions (Overhead View)



B30IR900SP / B30IR905SP Installation



B18IF900SP / B18IF905SP Installation



**IMPORTANT:** Handleless Panels should not be installed on units without the soft close capability. If you are uncertain if you have a refrigeration unit with soft close capability please contact our customer team by calling 1-800-944-2904.

**Optional Accessories**

<b>BFL30IR800</b> 30-Inch Flat Stainless Steel Benchmark® Series Door Panel (for B30IR900SP & B30IR905SP)	<b>BFL18IF800</b> 18-Inch Flat Stainless Steel Benchmark® Series Door Panel (for B18IF900SP & B18IF905SP)	<b>B36HNDL800</b> 36-Inch Benchmark® Series Handle	<b>BORPLFTR10</b> Replacement Water Filter (for B18IF900SP)	<b>BORPLFTR55</b> UltraClarityPro™ Replacement Water Filter (for B18IF905SP)	<b>HEATKITB80</b> Heater Kit may be required when two columns are installed side-by-side. See page 208 for details.
--	--	---	--	---	--



# Benchmark® Series Built-in Bottom Freezer Refrigerators



**Benchmark® Series**  
 B30BB930SS / B30BB935SS (Avail. 12/20)  
 Flat Stainless Steel Panel  
 Bottom Freezer

- 29 3/4" x 84" Flat Stainless Steel Panel
- Flush Installation
- Dual Evaporators
- Home Connect™
- Sidewall LED Lighting
- Optiflex® Hinge



**Benchmark® Series**  
 B30IB900SP / B30IB905SP (Avail. 12/20)  
 Custom Panel  
 Bottom Freezer

- 29 3/4" x 84"
- Custom Panel Ready
- Dual Evaporators
- Home Connect™
- Sidewall LED Lighting
- Optiflex® Hinge



Benchmark® Series 30" Flat Stainless Panel	Benchmark® Series 30" Custom Panel
Stainless Steel – B30BB930SS Stainless Steel – B30BB935SS (Avail. 12/20)	Custom Panel – B30IB900SP Custom Panel – B30IB905SP (Avail. 12/20)

General Properties		
Home Connect™ (Wi-Fi Enabled)	Yes	Yes
Reversible door hinge	Yes	Yes
Water filter	Yes	Yes
Lighting	LED side wall theater	LED side wall theater
Defrost process refrigerator section	Frost-free	Frost-free
Number of shelves – refrigerator	3	3
Adjustable shelves – refrigerator	2	2
Shelf material – refrigerator	Glass w/metal trim	Glass w/metal trim
Type of shelves – refrigerator	Full width	Full width
Gallon storage bins	1	1
Humidity control drawer	Yes – 1	Yes – 1
Defrost process freezer section	Automatic	Automatic
Number of drawers – freezer	2	2
Ice maker	Yes	Yes
Quick ice	No	No

Capacity		
Total capacity (cu. ft.)	16 cu. ft.	16 cu. ft.

Technical Details		
Watts (W)	588 W	588 W
Current (A)	15 A	15 A
Volts (V)	120 V	120 V
Frequency (Hz)	60 Hz	60 Hz
Power cord length (in.)	118"	118"
Plug type	120V-3 prong	120V-3 prong

Dimensions & Weight		
Appliance dimensions (HxWxD) (in.)	84" x 29 3/4" x 24"	84" x 29 3/4" x 24"
Required cutout size (HxWxD) (in.)	84" x 30" x 25"	84" x 30" x 25"
Net weight (lbs)	439 lbs	395 lbs

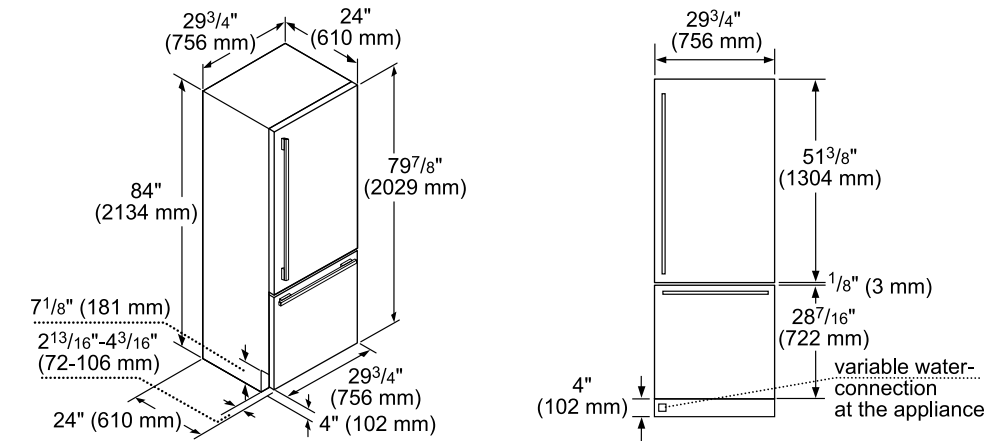
Efficiency		
ENERGY STAR® qualified	Yes	Yes
Energy consumption (kWh / yr)	B30BB930SS – 546 kWh B30BB935SS – 470 kWh	B30IB900SP – 546 kWh B30IB905SP – 470 kWh

### Optional Accessories

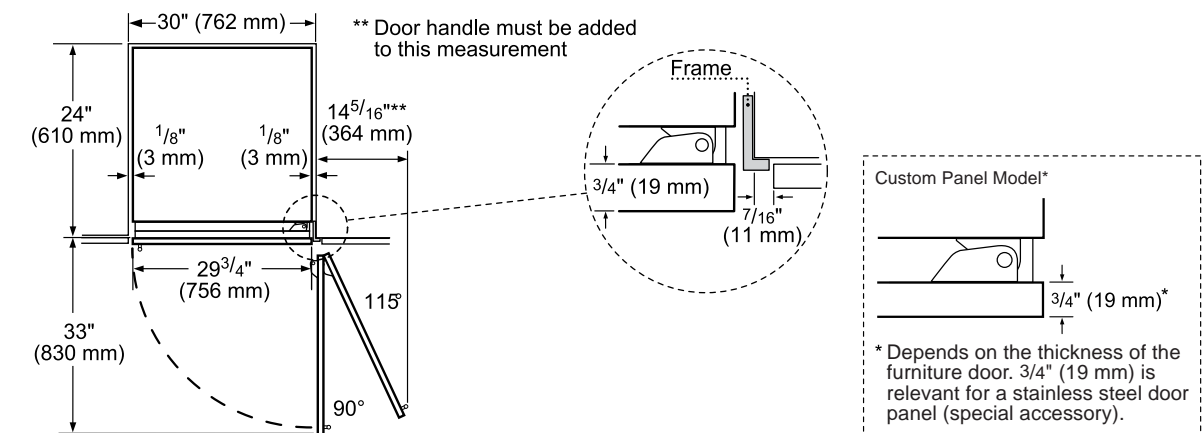
<b>BORPLFTR10</b> Replacement Water Filter (for B30BB930SS & B30IB900SP)	<b>BORPLFTR55</b> UltraClarityPro™ Replacement Water Filter (for B30BB935SS & B30IB905SP)	<b>HEATKITB80</b> Heater Kit may be required when two columns are installed side-by-side. See page 208 for details.
---	--	--

# Benchmark® Series Built-in Bottom Freezer Refrigerators

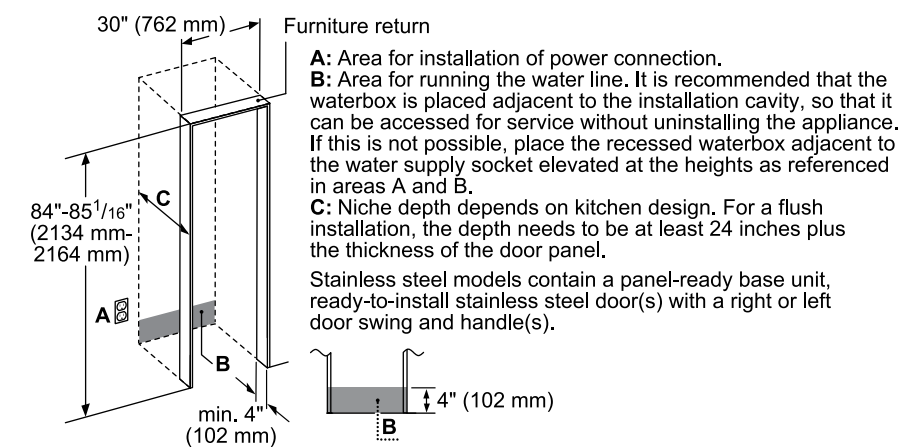
### 30" Built-in Bottom Freezer Dimensions



### 30" Built-in Bottom Freezer Dimensions (Overhead View)



### 30" Built-in Bottom Freezer Installation



**IMPORTANT:** Handleless Panels should not be installed on units without the soft close capability. If you are uncertain if you have a refrigeration unit with soft close capability please contact our customer team by calling 1-800-944-2904.



# Benchmark® Series Built-in French Door Refrigerators



**Benchmark® Series**  
B36BT930NS / B36BT935NS (Avail. 12/20)  
Flat Stainless Steel Panel French Door

- 35 3/4" x 84"
- Flat Stainless Panel
- Flush Installation
- Dual Evaporators
- Home Connect™
- Sidewall LED Lighting
- Optiflex® Hinge



**Benchmark® Series**  
B36IT900NP / B36IT905NP (Avail. 12/20)  
Custom Panel French Door

- 35 3/4" x 84"
- Custom Panel Ready
- Dual Evaporators
- Home Connect™
- Sidewall LED Lighting
- Optiflex® Hinge



Benchmark® Series 36" Flat Stainless Panel	Benchmark® Series 36" Custom Panel
Stainless Steel – B36BT930NS Stainless Steel – B36BT935NS (Avail. 12/20)	Custom Panel – B36IT900NP Custom Panel – B36IT905NP (Avail. 12/20)

General Properties		
Home Connect™ (Wi-Fi Enabled)	Yes	Yes
Water filter	Yes	Yes
Lighting	LED side wall theater	LED side wall theater
Defrost process refrigerator section	Frost-free	Frost-free
Number of shelves – refrigerator	3	3
Adjustable shelves – refrigerator	2	2
Shelf material – refrigerator	Glass w/metal trim	Glass w/metal trim
Type of shelves – refrigerator	Full width	Full width
Gallon storage bins	2	2
Humidity control drawer	Yes – 1	Yes – 1
Defrost process freezer section	Automatic	Automatic
Number of drawers – freezer	2	2
Ice maker	Yes	Yes
Quick ice	No	No

Capacity		
Total capacity (cu. ft.)	19.4 cu. ft.	19.4 cu. ft.

Technical Details		
Watts (W)	350 W	350 W
Current (A)	15 A	15 A
Volts (V)	120 V	120 V
Frequency (Hz)	60 Hz	60 Hz
Power cord length (in.)	118"	118"
Plug type	120V-3 prong	120V-3 prong

Dimensions & Weight		
Appliance dimensions (HxWxD) (in.)	84" x 35 3/4" x 24"	84" x 35 3/4" x 24"
Required cutout size (HxWxD) (in.)	84" x 36" x 25"	84" x 36" x 25"
Net weight (lbs)	540 lbs	540 lbs

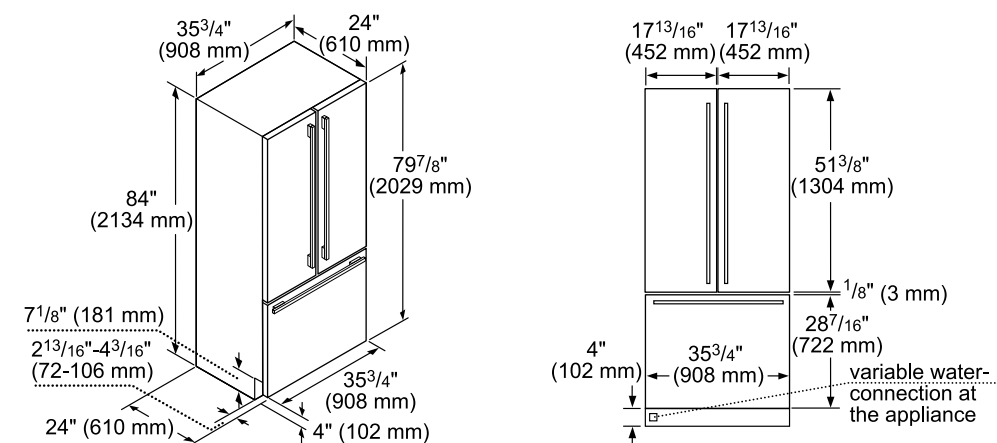
Efficiency		
ENERGY STAR® qualified	Yes	Yes
Energy consumption (kWh / yr)	B36BT930NS – 585 kWh B36BT935NS – 579 kWh	B36IT900NP – 585 kWh B36IT905NP – 579 kWh

### Optional Accessories

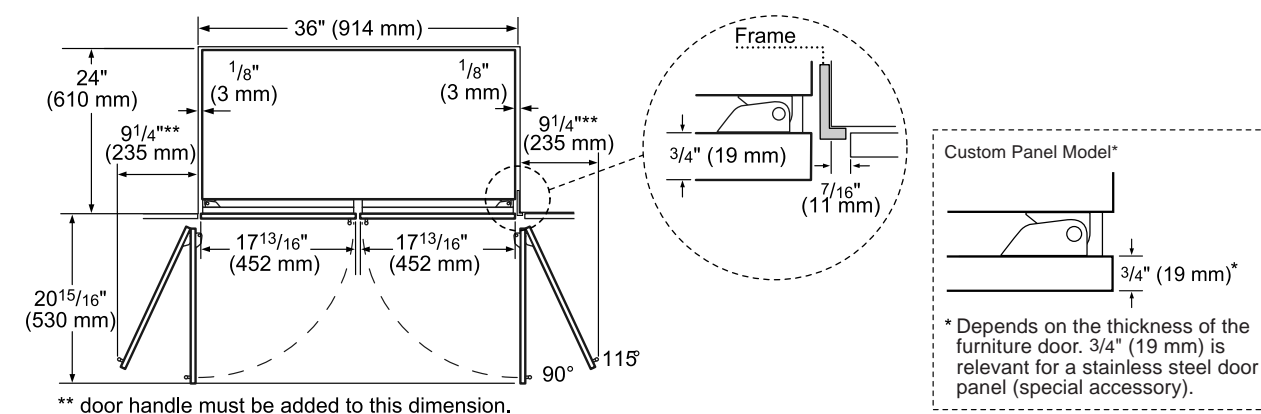
<b>BORPLFTR10</b> Replacement Water Filter (for B36BT930NS & B36IT900NP)	<b>BORPLFTR55</b> UltraClarityPro™ Replacement Water Filter (for B36BT935NS & B36IT905NP)	<b>HEATKITB80</b> Heater Kit may be required when two columns are installed side-by-side. See page 208 for details.
---	--	--

# Benchmark® Series Built-in French Door Refrigerators

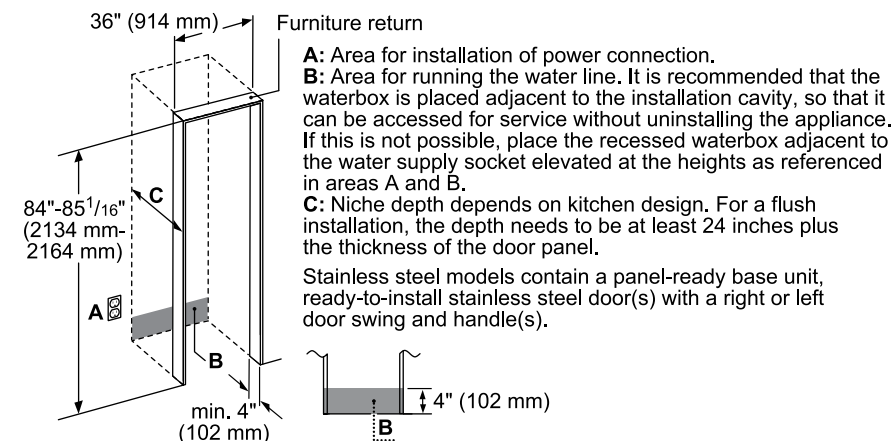
### 30" Built-in Dimensions



### 30" Built-in Dimensions (Overhead View)



### 30" Built-in Installation



# Planning Checklist

## Benchmark® Series Built-in Refrigeration



This custom product requires attention to the finest details. Carefully review all planning information, installation details and considerations and all dimensional information.

### Did you remember to...?

- Choose a desired configuration – side-by-side or stand-alone columns
- Plan the cutout height(s) – 84"
- Plan the cutout width(s) – depends on configuration and column width
- Plan the cutout depth – 25" for North American style cabinets, 24" with installation frame accessory, 24" for European style cabinets
- Ensure the cutout interior (top and sides) is flush to the appliance at a depth of min. 4", preferably 6" from face frame
- Ensure the cutout interior returns (top and sides) are finished to match exterior at a depth of min. 4", preferably 6" from face frame
- Ensure proper clearance for appliance doors including handle(s) – check for interference with other appliances, open or closed cabinets and doors, nearby walls
- Properly site the electrical outlet and (if applicable) water box
- Ensure the reverse of any custom panel is finished to match the exterior
- Choose the toekick style – stainless (included with appliance) or design custom toekick(s)
- Procure the proper installation accessories – stainless steel frame kit (FRAMKITB80) for framed installations in 24-inch deep cutouts, heater kit (HEATKITB80) for installations where two appliances are installed side-by-side or instances where any appliances are installed less than 6" apart from another but not connected. The heater kit is also recommended for use with any installation in areas that are subject to humidity, or located next to an outside wall.

# Build Your Custom Column

## Benchmark® Series Built-in Refrigeration

1 Choose Unit			2 Choose Panel			3 Choose Handle and Accessories (Units install either completely flush or framed with optional kit)		
<b>Single Door Refrigerator</b>								
30"		B30IR900SP / B30IR905SP (Avail. 12/20) Reversible Swing Custom Column		BFL30IR800 Flat Stainless Steel	B36HNDL800 36" handle, coordinates with Bosch appliances. Choose one handle for each single door unit.			
<b>Single Door Freezer</b>								
18"		B18IF900SP / B18IF905SP (Avail. 12/20) Reversible Swing Internal Ice Maker Custom Column		BFL18IF800 Flat Panel Stainless Steel Custom Panel Ready	FRAMKITB80 This accessory enables installation in 24-inch deep cutouts. Kit includes two identical and reversible vertical frames.			
<b>Bottom Freezer and French Door</b>								
30"		B30IB900SP / B30IB905SP (Avail. 12/20) 2-Door Custom Column	Custom Panel Ready		Bosch handles are included			
36"		B36IT900NP / B36IT905NP (Avail. 12/20) French Door Custom Column	Custom Panel Ready		 FRAMKITB80 This accessory enables installation in 24-inch deep cutouts. Kit includes two identical and reversible vertical frames.			
<b>Pre-Assembled Bottom Freezer and French Door</b>								
30"		B30BB930SS / B30BB935SS (Avail. 12/20) 2-Door Flat Stainless Steel Panels Bosch Handles Removable Frame	Flat Stainless Steel Panels are included		Bosch handles are included			
36"		B36BT930NS / B36BT935NS (Avail. 12/20) French Door Flat Stainless Steel Panels Bosch Handles Removable Frame	Flat Stainless Steel Panels are included		A frame is attached to all pre-assembled models. It is removable if a flush installation in a 25" deep cabinet is desired.			

**IMPORTANT:** Use a sealing kit when connecting refrigerator and freezer columns side-by-side (included with every freezer column). Use HEATKITB80 for all non-traditional side-by-side combinations, installations where columns are not connected but less than six inches (152 mm) from one another and for any installation in areas subject to excessive humidity. See page 208 for details.

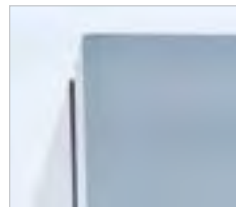




# Optional Accessories and Installation Considerations

## Benchmark® Series Built-in Refrigeration

### Flat Stainless Steel Door Panels



**Single Door Refrigerator**  
BFL30IR800  
(For Models B30IR900SP & B30IR905SP)  
30-Inch

**Single Door Freezer**  
BFL18IF800  
(For Models B18IF900SP & B18IF905SP)  
18-Inch

### Installation Accessories

#### FRAMKITB80 Frame Kit

Included with all pre-assembled bottom freezers, this adjustable frame is also available as an optional accessory for use with any custom column for installation in 24-inch (610 mm) deep cutouts. The kit includes two identical and reversible metal side trims whose placement between the interior cutout wall and the appliance helps overcome the challenge of unfinished cabinet returns.

#### HEATKITB80 Heater Kit

When two appliances are installed side-by-side a sealing kit must be used. For combinations that involve a freezer column, this kit is included. For all other (non-traditional, i.e. two bottom freezers) side-by-side combinations or instances where any appliances are installed less than 6" (152 mm) apart from one another but not connected side-by-side, purchase this kit. This kit is also recommended for use with any installation in areas that are subject to humidity, or located next to an outside wall.

### Filter Accessories

#### BORPLFTR55

UltraClarityPro™ Replacement Water Filter (for B18IF905SP, B30BB935SS, B30IB905SP, B36BT935NS & B36IT905NP)

#### BORPLFTR10

Replacement Water Filter (for B18IF900SP, B30BB930SS, B30IB900SP, B36BT930NS & B36IT900NP)

### Handles



#### B36HNDL800 36-Inch Handle

Coordinates with Bosch appliances. Choose one handle for each single door unit

### Location

The appliance should be installed in a dry, ventilated room. It may not be installed outdoors. The ambient temperature of the room must be between 55°F (13°C) and 100°F (43°C).

The appliance should not be exposed to constant direct sunlight or excessive heat. If installation next to a heat source, such as an oven, radiator, etc. is unavoidable, use a suitable insulating plate or observe the following minimum distances from the heat source:

- 1 1/4" (30 mm) from an electric cooking appliance,
- 11 13/16" (300 mm) from an oil or solid-fuel cooking appliance.

### Installation And Cutout Dimensions

Please see pages 201, 203, 205 and 212–217 for complete cutout planning information.

It is important to observe the specified dimensions of the installation cutout for a trouble-free installation of the appliance and for the subsequent appearance of the door panel.

- In particular ensure that the cutout is square. Squareness can be checked by suitable means, e.g. spirit level, diagonal measurements, etc.
- The side walls of the cutout must be flush. The minimum thickness of the side and top walls is 5/8" (16 mm). The minimum thickness of toe-kick panel is 1/4" (6 mm).

### Furniture / Fixtures

During installation, the appliance is fastened to adjacent and overhead furniture / fixtures and it is therefore essential that all such furniture / fixtures are well secured to the substructure or adjacent wall.

### Flooring / Substructure

On account of the heavy weight of a fully loaded appliance, a load-bearing substructure is required. To ensure correct installation and function, the support must be flat, level and made of hard, rigid material. If in doubt, contact an architect or a building expert.

Refer to the following table for load-bearing capacity:

Appliance	Load Bearing Capacity
30-Inch Single Door Refrigerator	1,110 lbs. / 500 kg
18-Inch Single Door Freezer	560 lbs. / 250 kg
30-Inch Bottom Freezer	900 lbs. / 410 kg
36-Inch French Door	1,200 lbs. / 540 kg

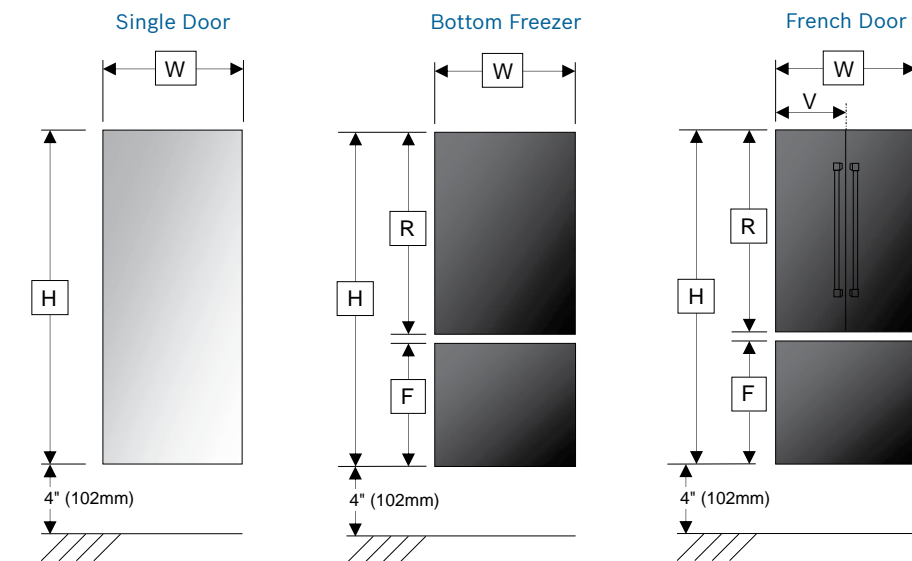
# Door Panel Dimensions

## Benchmark® Series Built-in Refrigeration

Select Bosch built-in refrigeration appliances are designed to be equipped with a decorative door panel. A panel can be custom-made or purchased as a stainless steel accessory. The table below illustrates the dimensions of the stainless steel panel accessories and can be used as a guide in creating custom panels. At 79 7/8" (2029 mm) tall, they are designed for a toe-kick height of 4" (102 mm), and a total cutout height of 84" (2134 mm) yielding 1/8" (3 mm) reveals. At 3/4" (19 mm) deep, they are designed to attach to the 24" (610 mm) deep appliance for an overall depth of 24 3/4" (629 mm). See pages 201, 203, 205 and 212–217 for cutout planning.

When using custom panels, always ensure that the panel reverse is finished to match the exterior, as parts of the panel reverse will be visible when the refrigerator door is opened.

**IMPORTANT:** While these sketches can serve as a general guide in planning panel dimensions, the correct panel dimensions are dictated by design choices including style and dimensions of surrounding kitchen cabinetry, case and toe-kick height, etc. Please ensure careful planning based on the specific kitchen design.



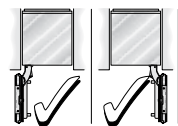
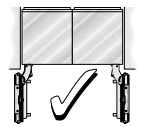
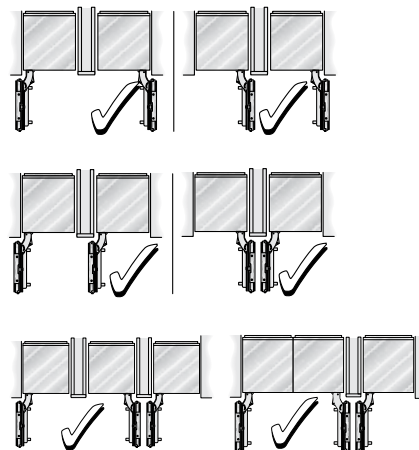
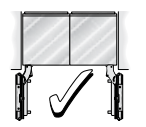

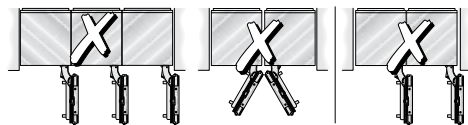
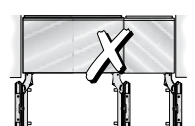
	B18IF900SP 18-Inch Single Door Freezer	B30IR900SP 30-Inch Single Door Refrigerator	B30IB900SP 30-Inch Bottom Freezer	B36IT900NP 36-Inch French Door
<b>H</b>	79 7/8" (2029 mm)	79 7/8" (2029 mm)	79 7/8" (2029 mm)	79 7/8" (2029 mm)
<b>W</b>	17 3/4" (451 mm)	29 3/4" (756 mm)	29 3/4" (756 mm)	35 3/4" (908 mm)
<b>V</b>	–	–	–	17 3/4" (451 mm)
<b>R</b>	–	–	51 11/32" (1304 mm)	51 11/32" (1304 mm)
<b>F</b>	–	–	28 13/32" (722 mm)	28 13/32" (722 mm)
<b>Max. Panel Weight</b>	37 lbs. (17kg)	64 lbs. (29kg)	55 lbs. (25kg)	55 lbs. (25kg)



# Installation Options

## Benchmark® Series Built-in Refrigeration

The Bosch Built-in Refrigeration Collection offers a variety of installation possibilities\*. In some instances, special accessories are required.

Recommended Installations	Considerations
<p>Stand-Alone</p> 	Any appliance can be installed as a stand-alone unit. Ensure a cutout flush to the appliance at a depth of minimum 4" (102 mm), preferably 6" (152 mm) on the top and sides.
<p>Side-by-Side</p> 	When two appliances are installed side-by-side a sealing kit must be used. For combinations that involve a freezer column, this kit is provided. For all other (non-traditional) side-by-side combinations or instances where any appliances are installed less than 6" (152 mm) apart from one another but not connected side-by-side, purchase the Heater Kit (HEATKITB80).
<p>Split Columns with Partition</p> 	<p>When dimensioning the partition, note the thickness of the door panel (including handles) as well as the swivel range to prevent damage if the doors are opened at the same time. (See page 212 for details on door swivel range dimensions)</p> <p>Three appliances can be installed together only if a partition—minimum 5/8" (16 mm)—is placed between two of the appliances. Ensure that door panel thickness (including handles) as well as the swivel range are accounted for.</p>
<p>At the End of a Cabinetry Run</p> 	All appliances must be completely enclosed on the top and sides. If one side of the appliance is visible, a decorative side panel must be used. The side panel must be connected firmly to the wall, the floor and any overhead furniture / fixtures before the appliance is placed in the cutout.
Not Recommended	Concerns
	It is absolutely essential to ensure that the appliance is installed in such a way that the doors do not interfere with an adjacent wall or other kitchen elements. (See page 212 for details on door swivel range dimensions)
	A partition—minimum 5/8" (16 mm)—is required to ensure the doors do not interfere with one another when opened. Use a partition to separate appliances and observe the door swivel range. (See page 212 for details on door swivel range dimensions)
	A French Door Bottom Freezer cannot be connected side-by-side with any other appliance. Use a partition to separate appliances and observe the door swivel range. (See page 212 for details on door swivel range dimensions)

\*The Bosch warranty shall apply only to recommended installations.

# Planning Information

## Benchmark® Series Built-in Refrigeration

### Electrical Specifications

The appliance comes with a 3-wire power supply cord. UL listed in the USA.

The appliance requires a 3-wire receptacle that is fitted with a 15 Amp fuse or higher. Refer to the following table for max load details.

Appliance	Max Load
	120V AC, 60Hz
30-Inch Single Door Refrigerator	15 A
18-Inch Single Door Freezer*	15 A
30-Inch Bottom Freezer*	15 A
36-Inch French Door	15 A

\*Including ice maker

The receptacle must be installed by a licensed electrician only.

For the installation position of the receptacle refer to diagram in "Electrical Location".

### Grounding Instruction

This appliance must be grounded. In the event of a malfunction or breakdown, grounding will reduce the risk of electric shock by providing a path of least resistance for the electric current.

### Additional Grounding Procedure

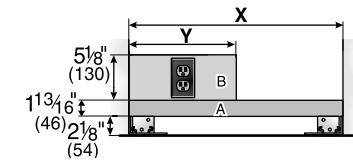
Some local regulations may require a separate ground. In such cases, the required accessory ground wire, clamp and screw must be purchased separately. Never ground the appliance to plastic plumbing lines, gas lines or water pipes.

A 4-conductor cord shall be used when the appliance is installed in an area where local codes do not permit grounding through the neutral. Power supply cord must be replaced by a licensed electrician only.

### Warning

Improper connection of the equipment grounding conductor may result in electric shock. Have the appliance checked by a qualified electrician or service technician if you are in doubt as to whether the appliance has been properly grounded.

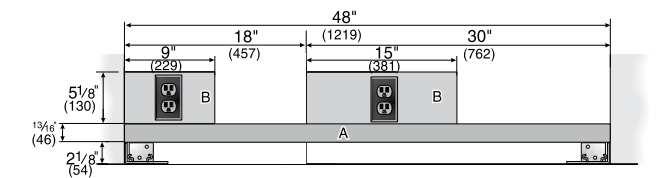
### Electrical Location



### Split Column Installation

	18-Inch	30-Inch
X	18" (457 mm)	30" (762 mm)
Y	9" (229 mm)	15" (381 mm)

### Side-by-Side Installation



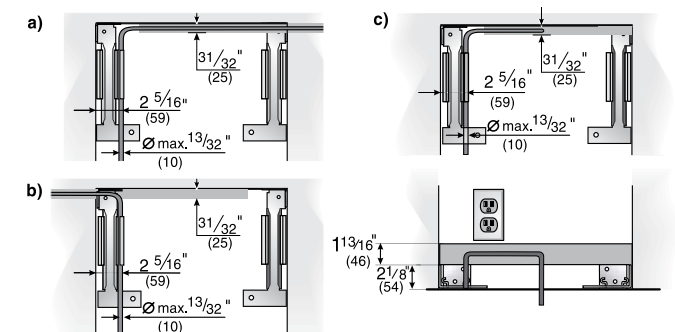
### Water Location

A cold water connection is required for appliances that feature an ice maker or an ice and water dispenser.

The water pressure must be between 40 and 120 p.s.i. (2.75–8.25 bar). The installation must comply with local plumbing regulations.

A separate shut-off valve must be installed for the appliance water connection.

The shut-off valve for the water connection may not be behind the appliance. It is recommended to place the shut-off valve outside the cutout next to the appliance or in another easily accessible location. When installing the water connection, observe the permitted installation areas for the water supply line. The supply line can be located to the right (a), to the left (b), or underneath (c).



# Planning Information

## Benchmark® Series Built-in Refrigeration

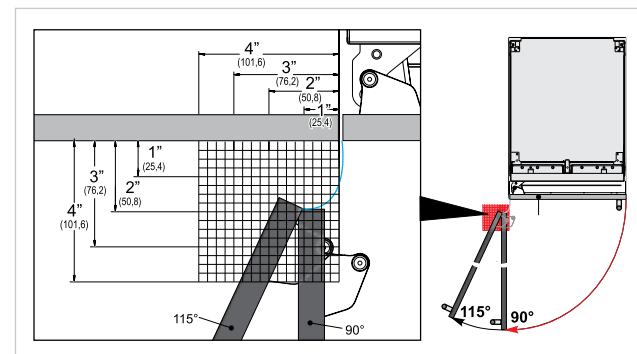
### Door Swivel Range

It is absolutely essential to ensure that the appliance is installed in such a way that the doors (including handles) and adjacent cabinets, countertops, pilasters, walls or other kitchen elements do not interfere with one another when opened. The illustrations below depict the swivel range of the refrigerator doors including mounted door panels of both 3/4" (19 mm) and 1 1/2" (38 mm) thickness.

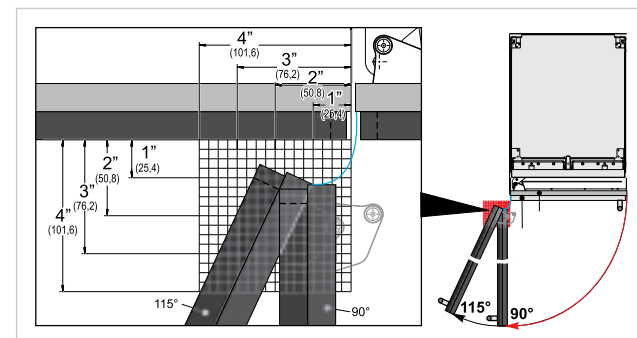
In the event of door interference the following solutions may be employed:

- Limit the refrigerator door opening angle to 90° with a door stop pin inserted into the hinge.
- Reduce the door panel thickness (if larger than 3/4" (19 mm)).
- Install a spacer between the appliance and the kitchen element that creates the interference.
- Rearrange the opposing kitchen element that creates the problem.
- Create a protruding cutout for the appliance.

### Door Swivel Range – 3/4" (19 mm) Flush Appliance Door Panel

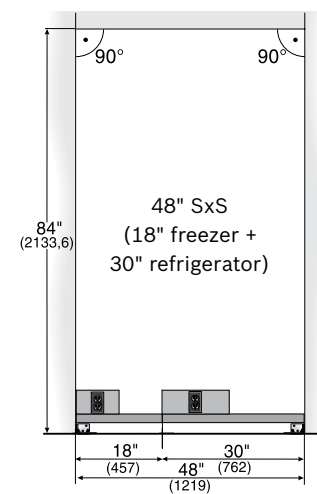


### Door Swivel Range – 1 1/2" (38 mm) Flush Appliance Door Panel

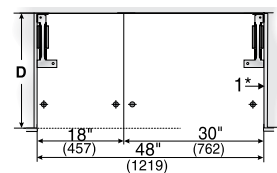


### Side-by-Side Installation

The cutout width for side-by-side installations is defined by adding together the dimensions of two single columns. Below are the dimensions of a classic 48" side-by-side, with an 18" freezer on the left and a 30" refrigerator on the right.



**IMPORTANT:** Just as with stand-alone columns, always ensure that the receptacles and the water line are correctly positioned. For dimensional requirements see page 211.



A: Area for running the water line. It is recommended the water-box be placed adjacent to the installation cutout, so that it can be accessed for service without uninstalling the appliance. If this is not possible, place the recessed water box adjacent to the power supply socket elevated at the heights as referenced in areas A+B.  
 B: Area for installing the power connection  
 D: Opening depth of cutout, depending on kitchen design (24" minimum)

# Planning Information

## Benchmark® Series Built-in Refrigeration

### Cabinetry Terms & Basic Requirements

To clarify the terms that are used in this design guide, please refer to the following definitions:

#### Case

This is the main body of a kitchen cabinet.

#### (Cabinet) Face Frame

This is a decorative frame at the front of a kitchen cabinet representing the space between cabinetry doors or drawers and is typical for North America. European style cabinets (frameless cabinetry) typically do not have a face frame.

#### Door Panel

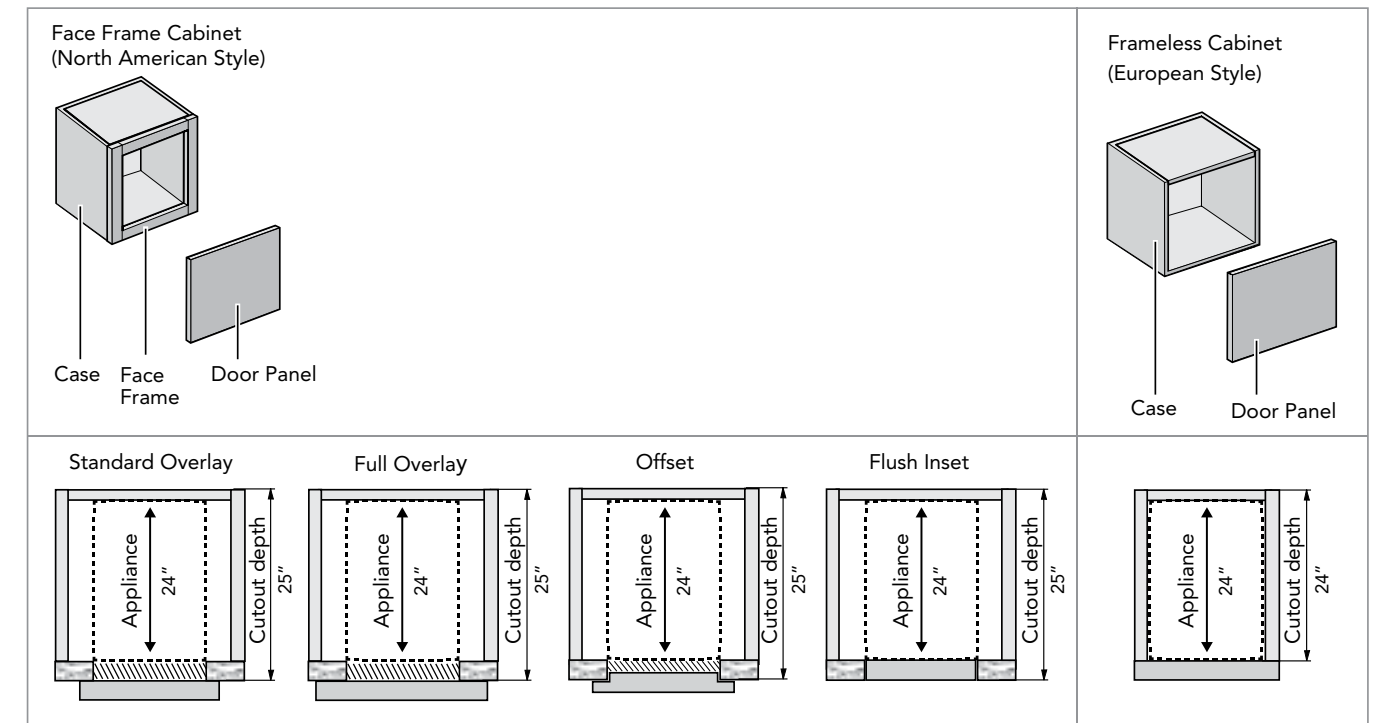
Able to be fully flush integrated when installed in 25" (635 mm) deep cabinets, Bosch built-in, custom panel refrigerators are intentionally designed to be equipped with custom door panels that perfectly match surrounding kitchen cabinetry. Typical panel thickness is 3/4" (19 mm). However, thicker panels can be accommodated to emulate the look of the visible face frame (as in overlay) or to match existing kitchen cabinetry doors. When using custom panels, always ensure that the panel reverse is finished to match the exterior, as parts of the panel reverse will be visible when the refrigerator door is opened.

### Cutout (Niche)

The cutout is the cavity in which a Bosch built-in refrigerator and / or freezer is installed. The width of the cutout (18-inch, 30-inch, etc.) is dependent on the appliance(s). The total depth of the cutout is equal to the depth of the case plus face frame. It does not necessarily include the thickness of the door panel. For proper planning of cutout depth, please refer to pages 201, 203, 205 and 212–217.

Typically, the cutout for a Bosch built-in refrigerators and freezers will be 25" (635 mm) deep. When planning the cutout, it is essential that the top and side interior walls be flush to the appliance at a minimum depth of 4" (102 mm) from the outer edge of the face frame and composed of thick (5/8" (16 mm) minimum) material for secure installation. Also, because the case interior will be partially visible when the refrigerator door is opened, always ensure that the top and side returns are finished to match the exterior furniture at the same minimum depth of 4" (102 mm).

### Kitchen Cabinetry Illustration



# Planning Information

## Benchmark® Series Built-in Refrigeration

### Cabinetry Style & Cutout Depth

Bosch built-in refrigerators and freezers are designed to accommodate nearly any type of kitchen cabinetry door installation. Generally, when using standard 3/4" (19 mm) panels, 25" (635 mm) deep cutouts are recommended but the required cutout depth depends on the desired cabinetry and custom panel execution, whether typical North American styles that employ a face frame—requiring a depth of 25" (635 mm)—or European style—requiring a depth of 24" (610 mm).

The below cabinetry styles detail requirements for the cutout and custom panel.

### A) Standard (Partial) Overlay – 25" (635 mm) Cutout Depth

With standard overlay kitchen cabinetry the face frame is an important design element. In order to emulate this aesthetic for the refrigerator, one must account for the door panel thickness (typically 3/4" (19 mm)) as well as the face frame thickness (here, also 3/4" (19 mm)). The resulting thickness of the custom door panel is therefore 3/4" (19 mm) + 3/4" (19 mm) = 1 1/2" (38 mm). The cumulative thickness of the custom door panel requires added depth in the cutout so 25" (635 mm) is recommended (see sketch).

### B) Full Overlay – 25" (635 mm) Cutout Depth

The requirements for standard overlays are also valid for full overlay designs so 25" (635 mm) cutout depth is recommended. However, especially if kitchen cabinet doors are thinner than 3/4" (19 mm) or reveals are 1/8" (3 mm) or smaller, a 24" (610 mm) cutout depth may also be acceptable. In this execution both the cabinet door and the small reveal of the fully overlaid face frame must be emulated within the typical appliance door panel thickness of 3/4" (19 mm). This can be done either a) by simply ignoring the visible area of the face frame (very small reveals show virtually no face frame) or b) by creating a “nose” on the custom door panel to emulate a small visible face frame (see sketch).

### C & D) Offset & Flush Inset – 25" (635 mm) Cutout Depth

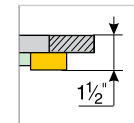
Here, kitchen cabinetry door panels do not rest atop the cabinet face frame (overlay), but are instead inserted partially (offset) or fully flush (inset) into the face frame. Such offset or flush inset door panels require additional depth in the cutout. Using the example of a 3/4" (19 mm) thick panel, the complete cutout depth would be 24" (610 mm) + 3/4" (19 mm) = 24 3/4" (629 mm) and in this example 25" (635 mm) is recommended.

### E) Framed – 24" (610 mm) Cutout Depth

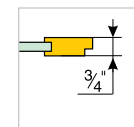
A metal frame (FRAMKITB80) can be affixed to the side of the cabinet which conveniently hides unfinished case returns and provides a classic built-in look. This is particularly relevant for existing cabinetry that has not been custom-built to accommodate these appliances. A 24" (610 mm) cutout will result in a slightly protruding door panel for a typical built-in look.

### F) European Style Kitchen Cabinetry – 24" (610 Mm) Cutout Depth

If the kitchen design is based on European style cabinetry, there is no need to emulate the look of a face frame, as such a frame is not an element of the kitchen cabinetry design. Therefore a 24" (610 mm) deep cutout with accompanying custom panel will always be sufficient.

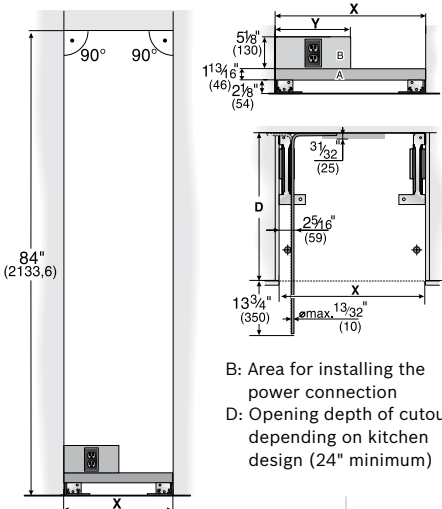


A) Standard Overlay Design  
Custom Door Panel (Emulating a Face Frame)



B) Full Overlay Design  
Custom Door Panel with Nose (Emulating a Face Frame)

### Split Column Installation



A: Area for running the water line. It is recommended the water-box be placed adjacent to the installation cutout, so that it can be accessed for service without uninstalling the appliance. If this is not possible, place the recessed water box adjacent to the power supply socket elevated at the heights as referenced in areas A+B.

B: Area for installing the power connection

D: Opening depth of cutout, depending on kitchen design (24" minimum)

	X	Y
18-Inch Single Door Freezer	18" (457 mm)	9" (229 mm)
30-Inch Single Door Refrigerator	30" (762 mm)	15" (381 mm)
30-Inch Bottom Freezer	30" (762 mm)	15" (381 mm)
36-Inch French Door	36" (914 mm)	18" (457 mm)

### Important

It is strongly recommended the top interior of the cutout be of solid material (5/8" (16 mm) thickness). Ensure that the top well is completely flush for a depth of at least 4" (102 mm).

Ensure that the side walls of the cutout are also completely flush to a depth of at least 4" (102 mm).

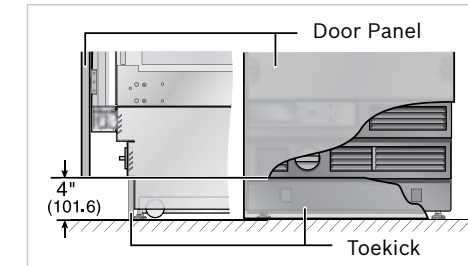
If, for some reason, a separate cutout cabinet is created, ensure that the furniture return is at least 4" (102 mm) deep for proper installation.

# Planning Information

## Benchmark® Series Built-in Refrigeration

### Toekick & Venting Grille

Each Bosch built-in refrigeration appliance comes with a 4" (102 mm) tall stainless steel toekick. A custom-made toekick that matches the surrounding cabinetry may be applied instead. While standard toekick height is 4" (102 mm), depending on the usage of the leveling legs, the toekick height could vary. Regardless of toekick height, it is imperative that the venting grille remain unblocked to ensure proper functionality of the appliance. Decorative toekicks should be removable to allow for servicing.



Typical 4" (102 mm) toekick height. Velcro adhesive strips are used to fasten the toekick to the appliance. Venting grille and (if applicable) the water filter cavity are located above the toekick area.

### Upper Molding

The planning of decorative upper molding above the cutout requires taking into account the actual or desired height of the door panel.

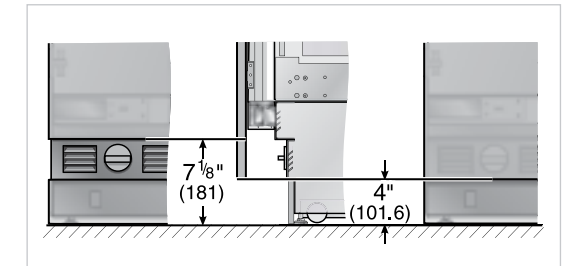
The overall height of the door panel will depend on:

- the height of the appliance, typically 84" (2134 mm)—leveling legs allow height adjustment ranging from -1/2" (-13 mm) to +1 3/8" (+35 mm)
- the installed height of the door panel (distance from the bottom edge of the door panel to the floor, typically 4" (102 mm), and, if desired, any extension of the custom panel above the appliance cutout)
- the appliance type (single door or bottom freezer)

### Important

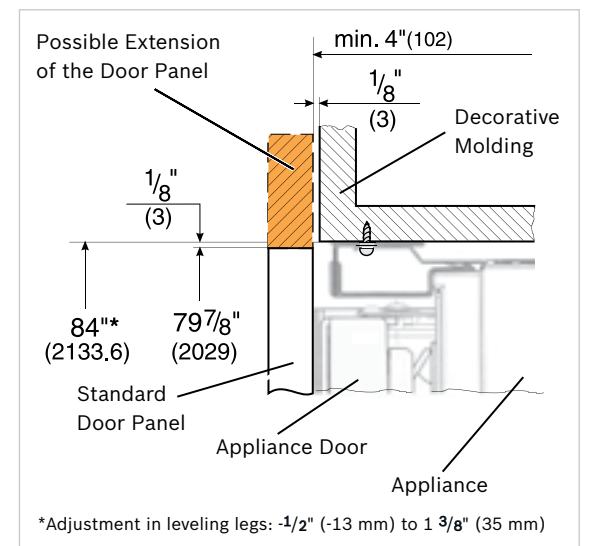
Please recall that a panel should be installed at a minimum height of 4" (102 mm) from the floor to allow proper ventilation of the appliance.

Always ensure that the top of the cutout or upper decorative molding is at least 4" (102 mm) deep, so that the refrigerator can be properly secured to the cutout wall. This is particularly important if a protruding cutout is specially created and configured with a face frame. Furniture returns for any face frame must be a minimum of 4" (102 mm) deep.



If required by the surrounding cabinetry design, the distance between the bottom edge of the door panel and the floor can be increased from approx. 4" (102 mm) up to 7 1/8" (181 mm), but should not be decreased. Note, however, that the venting grille and (if applicable) water filter cavity will be visible, even if the door is closed.

### Vertical Section, Side View



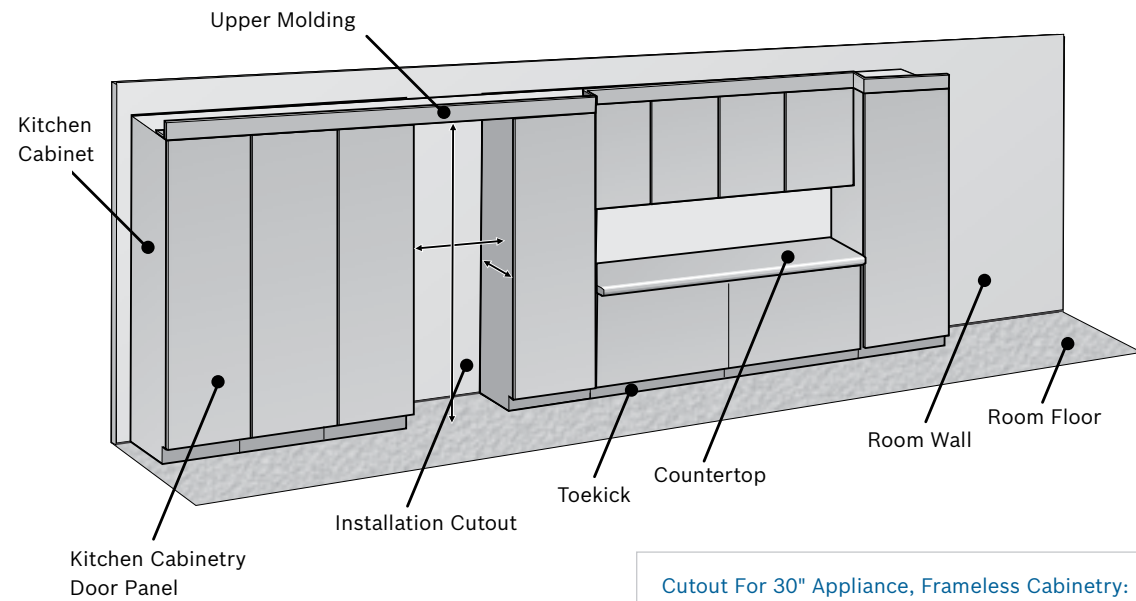
\*Adjustment in leveling legs: -1/2" (-13 mm) to 1 3/8" (35 mm)



# Planning Information

## Benchmark® Series Built-in Refrigeration

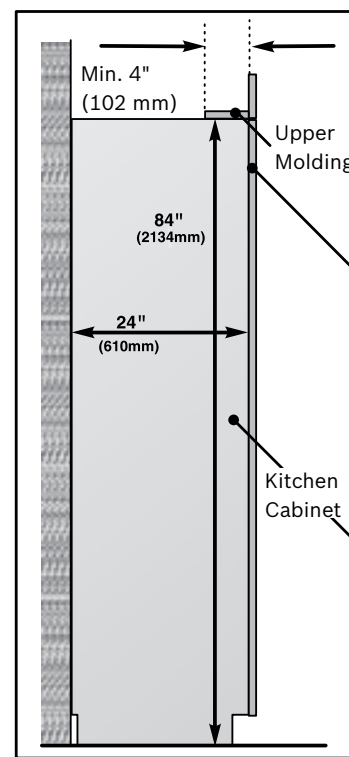
Planning Example #1: Frameless (European) Cabinetry



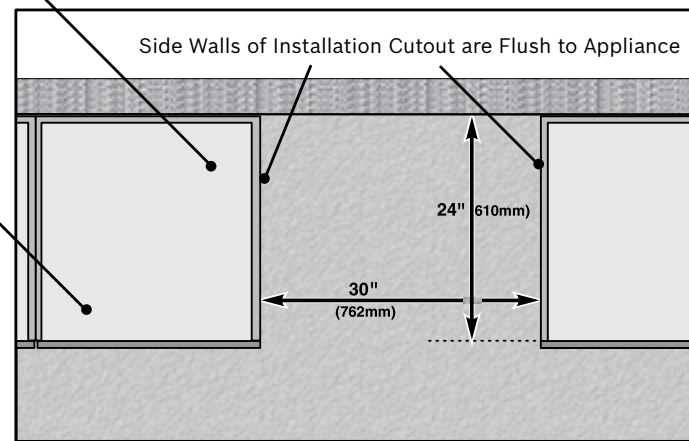
**Cutout For 30" Appliance, Frameless Cabinetry:**  
 In this example, the installation cutout is formed by simply leaving a gap between two kitchen cabinets.

The custom door panel 3/4" (19 mm) will be identical in appearance and thickness to the surrounding kitchen cabinetry panels.

- cutout width is exactly 30" (762 mm)
- cutout (case) depth is 24" (610 mm)—does not include door panel
- top and side walls of cutout interior are completely flush, of solid material and at least 4" (102 mm) deep



Installation Cutout (Vertical Section)

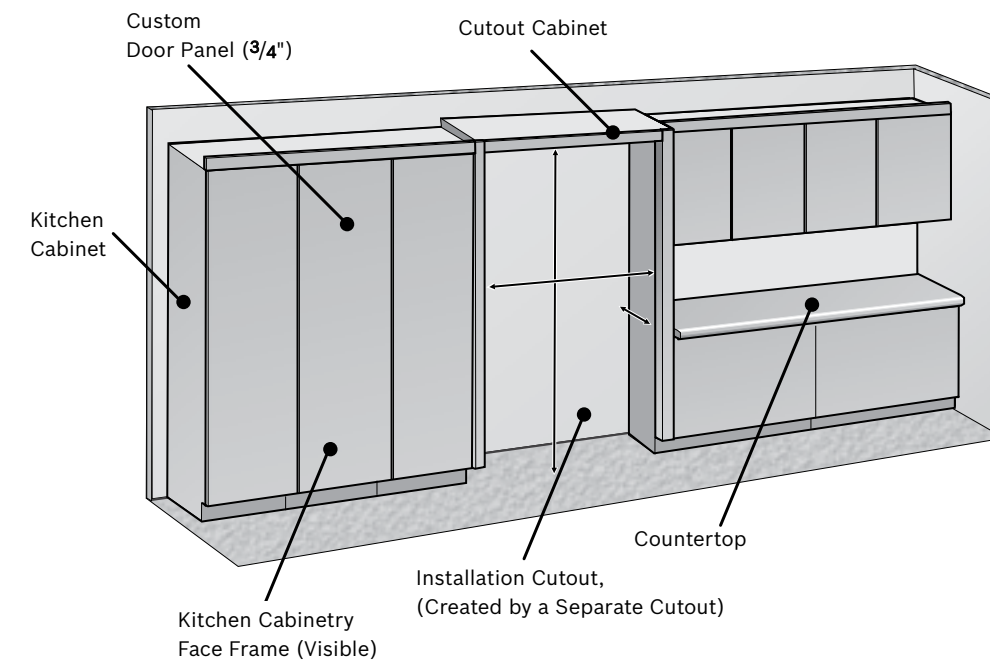


30-Inch Installation Cutout (Horizontal Section)

# Planning Information

## Benchmark® Series Built-in Refrigeration

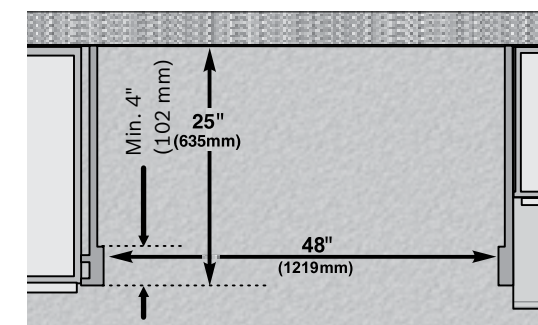
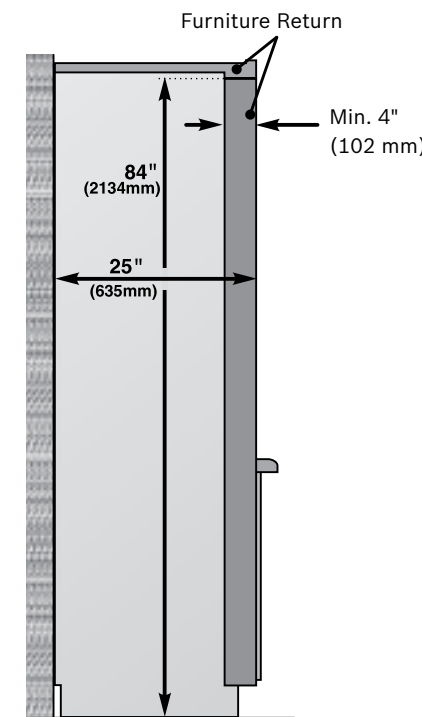
Planning Example #2: Standard Overlay Cabinetry



**CUTOUT FOR 48" SIDE-BY-SIDE APPLIANCE COMBINATION, STANDARD OVERLAY CABINETY:**  
 In this example, the installation cutout is formed by creating a separate cutout around the appliances. It yields a look that deviates from the general kitchen design.

The custom door panel has a cumulative thickness of 1 1/2" (38 mm), 3/4" (19 mm) emulating the face frame and 3/4" (19 mm) for the actual door panel). Thus, a 25" (635 mm) deep installation cutout is required.

- cutout width is exactly 48" (for an 18" + 30" = 48" side-by-side combination)
- cutout (case) depth is 25" (635 mm) due to 1 1/2" (38 mm) custom door panel
- any furniture return must be at least 4" (102 mm) deep, on interior top and sides, of solid material and should be finished to match the exterior at the same depth (4" or 102 mm)



# 300 Series Side-by-Side Refrigerator



300 Series  
B20CS30SNS  
Side-by-Side

- Counter-Depth
- Easy Clean Stainless Steel
- MultiAirFlow Cooling System
- Filtered Water, Crushed and Cubed Ice Dispenser



### 300 Series 36" Counter-Depth

Stainless Steel – B20CS30SNS

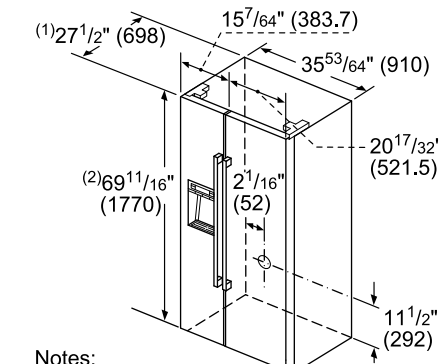
General Properties	
Easy Clean Stainless Steel	Yes
Water filter	Yes
Lighting	LED
Defrost process refrigerator section	Frost-free
Number of shelves – refrigerator	4
Adjustable shelves – refrigerator	1
Shelf material – refrigerator	Tempered glass
Type of shelves – refrigerator	Framed tempered glass
Gallon storage bins	3
Defrost process freezer section	Automatic
Number of drawers – freezer	2
Adjustable shelves – freezer	3
Shelf material – freezer	Tempered glass
Type of shelves – freezer	Framed tempered glass
Ice maker	Yes
Capacity	
Total unit capacity (cu. ft.) – AHAM	20.2 cu. ft.
Refrigerator capacity (cu. ft.)	13.2 cu. ft.
Freezer capacity (cu. ft.)	6.96 cu. ft.
Technical Details	
Current (A)	15 A
Volts (V)	115 V
Frequency (Hz)	60 Hz
Power cord length (in.)	76.8"
Plug type	120V-3 prong
Dimensions & Weight	
Appliance dimensions (HxWxD) (in.)	69 11/16" x 35 15/16" x 27 1/2"
Required cutout size (HxWxD) (in.)	70" x 36" x 25.9"
Net weight (lbs)	245 lbs
Efficiency	
ENERGY STAR® qualified	Yes
Energy consumption (kWh / yr)	594 kWh

### Optional Accessories

BORPLFTR10  
Replacement Water Filter (P/N 00740570)

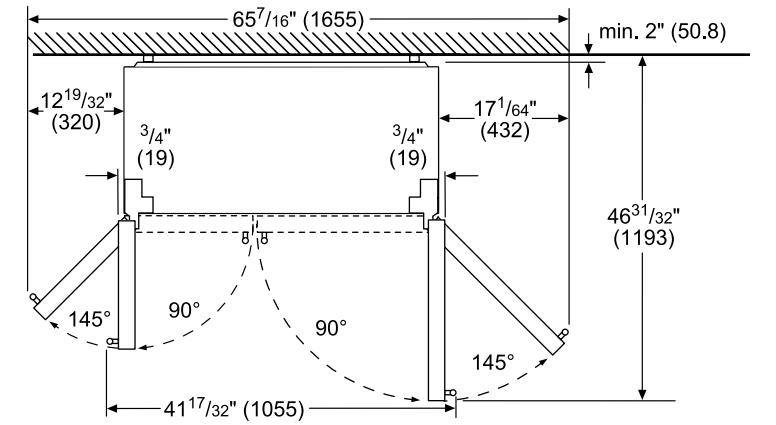
# 300 Series Side-by-Side Refrigerator

### B20CS30SNS Dimensions



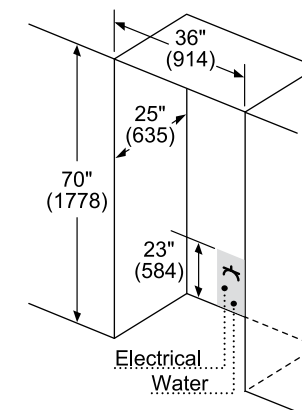
- Notes:  
 (1) Depth 29 1/2" with spacers  
 (2) Front height adjustable from 69 3/8" to 70"

### B20CS30SNS Dimensions (Overhead Views)

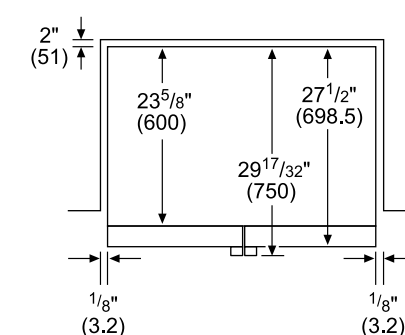
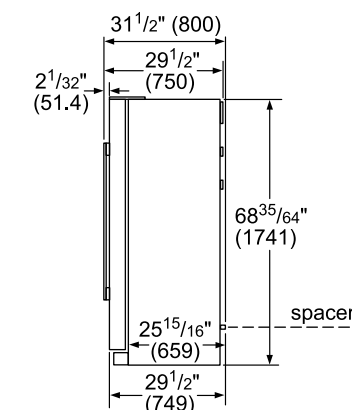


Drawers can be pulled out fully at door opening of 145°  
 measurements in inches (mm)

### B20CS30SNS Installation



Leave a 1/2" (12.7 mm) gap at the top and 2" (51 mm) behind the refrigerator for proper ventilation.  
 For installation next to a wall, leave a minimum gap of 3 3/4" (95.2 mm) on the wall side for opening the door.  
 It is recommended that you do not install the refrigerator near a heat source such as an oven or a range.  
 Maximum receptacle and waterline height 23" (584 mm).



measurements in inches (mm)



# 500 Series French Door Refrigerators



500 Series  
 B36CD50SNS (Stainless Steel)  
 B36CD50SNB (Black Stainless Steel)  
 French Door

- Counter-Depth
- QuickPro System™ Ice Maker
- Dual Evaporators
- UltraClarityPro™ Water Filter
- Easy Clean Stainless Steel
- MultiAirFlow™ Cooling System
- Home Connect™



### 500 Series 36" Counter-Depth

Stainless Steel – B36CD50SNS  
 Black Stainless Steel – B36CD50SNB

General Properties	
Full 69" height and true counter depth for built-in appearance	Yes
Easy Clean Stainless Steel	Yes
Lighting	Recessed LED light bars
Number of evaporators	1
Defrost process refrigerator section	Frost-free
Number of shelves – refrigerator	5
Adjustable glass shelves – refrigerator	4 half-width
Type of shelves – refrigerator	Frameless split shelves with chromed trim
Ice maker	Yes
Water filter	UltraClarityPro™
External water and ice dispenser	Yes
Gallon storage bins	2
Humidity control compartments	2
Full width drawer	1
Touch control panel	Yes
AirFresh® filter, MultiAirFlow™	Yes, yes
Stainless steel back wall	Yes
Defrost process freezer section	Automatic
Number of drawers – freezer	3
Wi-Fi enabled	Yes, Home Connect™ app
Capacity	
Total capacity (cu. ft.)	21.6 cu. ft.
Refrigerator / Freezer capacity (cu. ft.)	15.2 cu. ft. / 6.4 cu. ft.
Technical Details	
Current (A), Volts (V), Frequency (Hz)	15 A, 115 V, 60 Hz
Power cord length (in.)	91"
Plug type	120V-3 prong
Dimensions & Weight	
Appliance dimensions with hinges, handles and doors (HxWxD) (in.)	70** x 35 5/8" x 31 1/8"
Appliance dimensions without hinges and doors (HxWxD) (in.)	69 1/2" x 35 5/8" x 24***
Appliance dimensions with hinges and doors, no handles (HxWxD) (in.)	70** x 35 5/8" x 28 3/4"
Required cutout size (HxWxD) (in.)	70" x 36" x 25"
Net weight (lbs)	350 lbs
Efficiency	
ENERGY STAR® qualified	Yes
Energy consumption (kWh / yr)	656 kWh

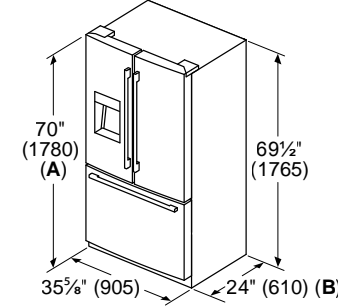
\*When leveling legs are fully extended, add 5/8" to overall height, total 70 5/8".

\*\*The cutout depth of 25" includes the required 1" airflow. The electrical covers on the back of unit do not require additional depth.

# 500 Series French Door Refrigerators

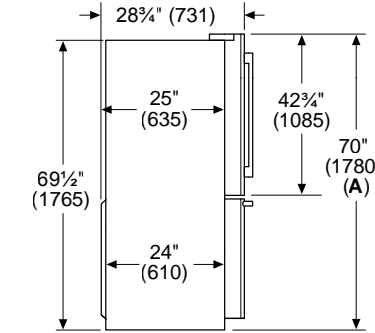
## B36CD50SNS/B Dimensions

Measurements in inches (mm)



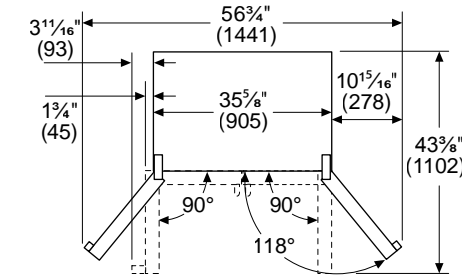
A: Add 5/8" (17) with front leveling feet fully extended  
 B: Add 1" (25) for fixed spacers on back

Measurements in inches (mm)



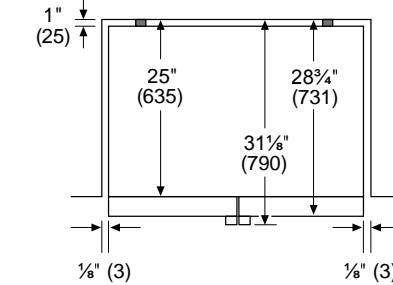
A: Add 5/8" (17) with front leveling feet fully extended

## B36CD50SNS/B Dimensions (Overhead Views)



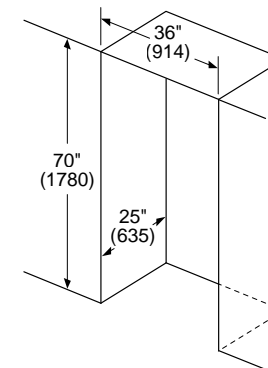
Drawers can be pulled out with door open to 90°. Drawers can be taken out with door completely opened.

Measurements in inches (mm)



## B36CD50SNS/B Installation

measurements in inches (mm)



Leave 1/2" (12.7) gap at the top and 1" (25.4) behind the refrigerator for proper ventilation. It is recommended that you do not install the refrigerator near a heat source such as an oven or a range.

## Optional Accessories

- BORPLFTR50 UltraClarityPro™ Replacement Water Filter



# 800 Series French Door Refrigerator



800 Series  
 B36CT80SNS (Stainless)  
 B36CT80SNB (Black Stainless Steel)  
 French Door

- + Dual Compressor and Dual Evaporator
- Counter-Depth
- + FarmFresh System™
- + VitaFreshPro™ Freshness Settings
- Interior Water Dispenser
- + FlexBar® Flexible Storage Bar
- Home Connect™



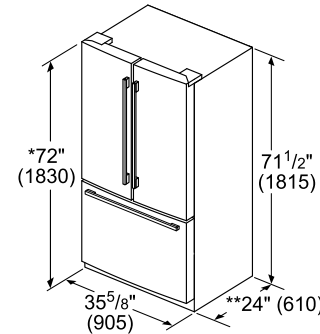
**800 Series 36" Counter-Depth**  
 Stainless Steel – B36CT80SNS  
 Black Stainless Steel – B36CT80SNB

General Properties	
Full 72" height and true counter depth for built-in appearance	Yes
Easy Clean Stainless Steel	Yes
Lighting	Recessed LED light bars
Number of compressors / evaporators	2 / 2
Defrost process refrigerator / freezer section	Frost-free / automatic
Adjustable tempered glass shelves – refrigerator	4 half-width
Flexible storage bar	FlexBar®
Full width temp. & humidity controlled drawer	VitaFreshPro™
Humidity control compartments, gallon storage bins	2, 2
Water dispenser, freezer ice maker, water filter	Yes (internal), yes, UltraClarityPro™
MultiAirFlow™	Yes
AirFresh® filter, FreshProtect® ethylene filter	Yes, yes
Stainless steel back wall	Yes
Number of drawers – freezer	3
Wi-Fi enabled	Yes, Home Connect™ app
Capacity	
Total capacity (cu. ft.)	20.8 cu. ft.
Refrigerator capacity (cu. ft.)	14.8 cu. ft.
Freezer capacity (cu. ft.)	6.0 cu. ft.
Technical Details	
Current (A)	15 A
Volts (V)	115 V
Frequency (Hz)	60 Hz
Power cord length (in.)	91"
Plug type	120V-3 prong
Dimensions & Weight	
Appliance dimensions with hinges, handles and doors (HxWxD) (in.)	72" x 35 5/8" x 31 1/8"
Appliance dimensions without hinges and doors (HxWxD) (in.)	71 1/2" x 35 5/8" x 24"***
Appliance dimensions with hinges and doors, no handles (HxWxD) (in.)	72" x 35 5/8" x 28 3/4"
Required cutout size (HxWxD) (in.)	72" x 36" x 25"
Net weight (lbs)	350 lbs
Efficiency	
ENERGY STAR® qualified	Yes
Energy consumption (kWh / yr)	570 kWh

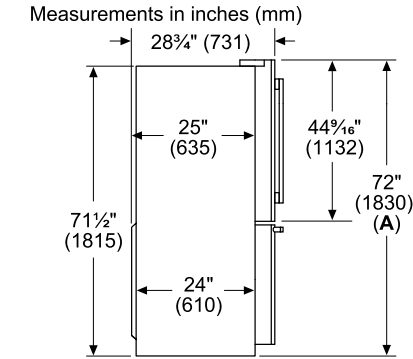
\*When leveling legs are fully extended, add 5/8" to overall height, total 72 5/8".  
 \*\*The cutout depth of 25" includes the required 1" airflow. The electrical covers on the back of unit do not require additional depth.

# 800 Series French Door Refrigerator

## B36CT80SNS/B Dimensions

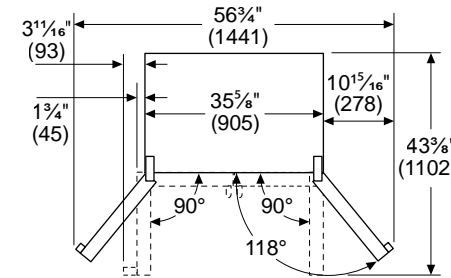


\*Add 5/8" (17) with front levelling feet fully extended  
 \*\*Add 1" (25) for fixed spacers on back measurements in inches (mm)

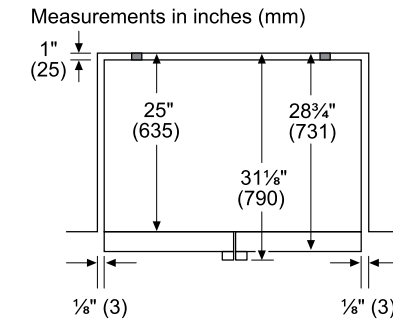


A: Add 5/8" (17) with front leveling feet fully extended

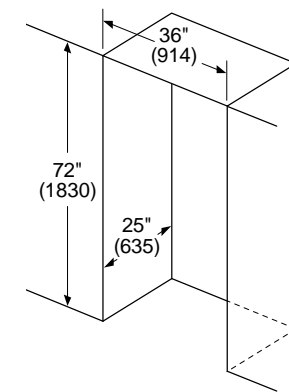
## B36CT80SNS/B Dimensions (Overhead Views)



Drawers can be pulled out with door open to 90°. Drawers can be taken out with door completely opened.



## B36CT80SNS/B Dimensions Installation



Leave 1/2" (12.7) gap at the top and 1" (25.4) behind the refrigerator for proper ventilation.

It is recommended that you do not install the refrigerator near a heat source such as a stove or a range.

measurements in inches (mm)

## Optional Accessories

- |  |   |   |   |   |
|--|---|---|---|---|
| <b>BOFLEXBOTL</b><br>FlexBar®<br>Bottle Holder | <b>BOFLEXLGSB</b><br>FlexBar®<br>Deep Shelf | <b>BOFLEXSMSTH</b><br>FlexBar®<br>Shallow Shelf | <b>BORPLFTR50</b><br>UltraClarityPro™<br>Replacement Water Filter | <b>FPETHRF50</b><br>Ethylene Filter<br>Refill Kit |
|--|---|---|---|---|





# 800 Series French Door Refrigerator



800 Series  
B26FT50SNS  
French Door

- Standard-Depth
- Easy Clean Stainless Steel
- MultiAirFlow™ Cooling System
- Storable Partial Shelf
- Humidity Controlled Crisper Drawers
- Quick Ice



800 Series  
B36CT81SNS  
French Door

- Dual Compressor and Dual Evaporator
- Counter-Depth
- FarmFresh System™
- VitaFreshPro™ Freshness Settings
- Interior Water Dispenser
- FlexBar® Flexible Storage Bar
- Pro Style Handles
- Home Connect™



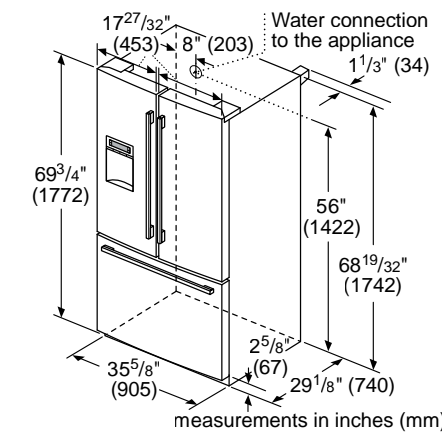
	800 Series 36" Standard-Depth Stainless Steel – B26FT50SNS	800 Series 36" Counter-Depth Stainless Steel – B36CT81SNS
<b>General Properties</b>		
Full 72" height and true counter depth for built-in appearance	N/A	Yes
Easy Clean Stainless Steel	Yes	Yes
Lighting	Theater design LED	Recessed LED light bars
Number of compressors / evaporators	1 / 1	2 / 2
Defrost process refrigerator section	Frost-free	Frost-free
Adjustable glass shelves – refrigerator	4	4 half-width
Flexible storage	1 storable partial shelf	FlexBar® storage bar
Gallon storage bins	2	2
Humidity control compartments	2	2
Full width temp. & humidity controlled drawer	No	VitaFreshPro™
Water dispenser, ice maker, water filter	Yes, yes, yes	Yes (internal), yes, UltraClarityPro™
MultiAirFlow™	Yes	Yes
AirFresh® filter, FreshProtect® ethylene filter	No, no	Yes, yes
Stainless steel back wall	No	Yes
Number of drawers – freezer	2	3
Wi-Fi enabled	No	Yes, Home Connect™ app
Quick ice	Yes	N/A
<b>Capacity</b>		
Total capacity (cu. ft.)	25.0 cu. ft.	20.8 cu. ft.
Refrigerator capacity (cu. ft.)	17.2 cu. ft.	14.8 cu. ft.
Freezer capacity (cu. ft.)	7.8 cu. ft.	6.0 cu. ft.
<b>Technical Details</b>		
Current (A), Volts (V), Frequency (Hz)	15 A , 120 V , 60 Hz	15 A , 120 V , 60 Hz
Power cord length (in.)	98"	91"
Plug type	120V-3 prong	120V-3 prong
<b>Dimensions &amp; Weight</b>		
Appliance dimensions with hinges, handles and doors (HxWxD) (in.)	69 3/4" x 35 5/8" x 32 15/32"	72" x 35 5/8" x 31 1/8"
Appliance dimensions without hinges and doors (HxWxD) (in.)	68 19/32" x 35 5/8" x 29 1/8"	71 1/2" x 35 5/8" x 24"***
Appliance dimensions with hinges and doors, no handles (HxWxD) (in.)	69 3/4" x 35 5/8" x 32 15/32"	72" x 35 5/8" x 28 3/4"
Required cutout size (HxWxD) (in.)	69" x 36" x 30 3/8"	72" x 36" x 25"
Net weight (lbs)	325 lbs	350 lbs
<b>Efficiency</b>		
ENERGY STAR® qualified	Yes	Yes
Energy consumption (kWh / yr)	693 kWh	568 kWh

\*When leveling legs are fully extended, add 5/8" to overall height, total 72 5/8".

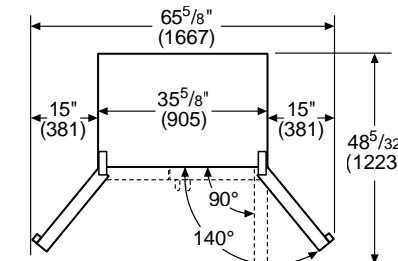
\*\*The cutout depth of 25" includes the required 1" airflow. The electrical covers on the back of unit do not require additional depth.

# 800 Series French Door Refrigerator

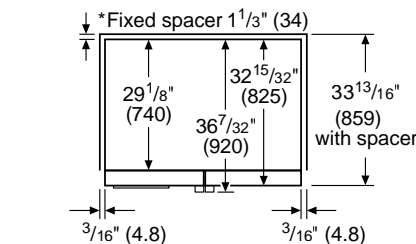
B26FT50SNS Dimensions



B26FT50SNS (Overhead Views)



Drawers can be pulled out with door open 90°. Drawers can be taken out with door completely opened.



\*The 1 1/3" (34) fixed spacer on back of appliance allows proper ventilation and space for the water connection.

measurements in inches (mm)

**B26FT50SNS Accessories**

BORPLFTR10 Replacement Water Filter (P/N 00740570)

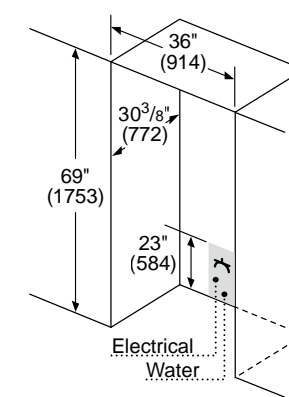
**B36CT81SNS Optional Accessories**

BOHANDL50 Pro-style Stainless Steel Handle Kit (P/N 00775144)

**B36CT81SNS Accessories**

BOFLEXBOTL FlexBar® Bottle Holder | BOFLEXLGSB FlexBar® Deep Shelf | BOFLEXSMSH FlexBar® Shallow Shelf | BORPLFTR50 UltraClarityPro™ Replacement Water Filter | FPETHRF50 Ethylene Filter Refill Kit

B26FT50SNS Installation



The 1 1/3" (34 mm) fixed spacer on back of appliance allows proper ventilation and space for the water connection.

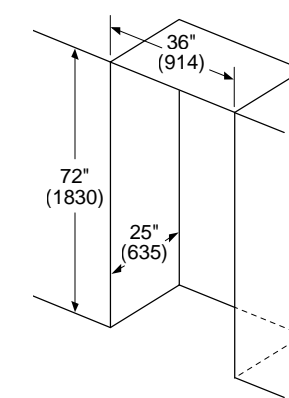
For installation next to a wall, leave a minimum gap of 3 3/4" (95.2 mm) on the wall side for opening the door.

It is recommended that you do not install the refrigerator near a heat source such as an oven or a range.

Maximum receptacle and water line height 23" (584 mm).

Add 6 3/16" (25 mm) to appliance height dimension at front if leveling legs are fully extended.

B36CT81SNS Installation

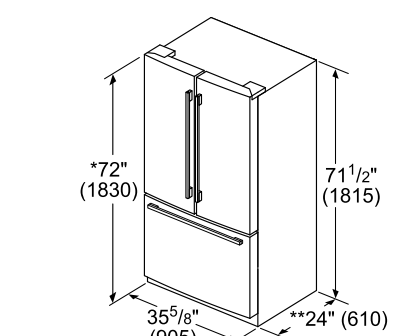


Leave 1/2" (12.7) gap at the top and 1" (25.4) behind the refrigerator for proper ventilation.

It is recommended that you do not install the refrigerator near a heat source such as a stove or a range.

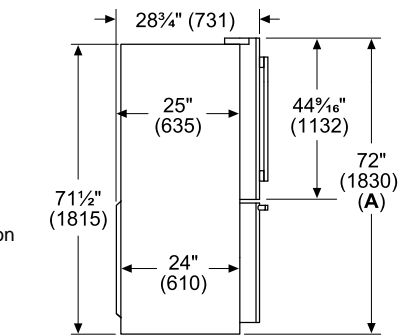
measurements in inches (mm)

B36CT81SNS Dimensions



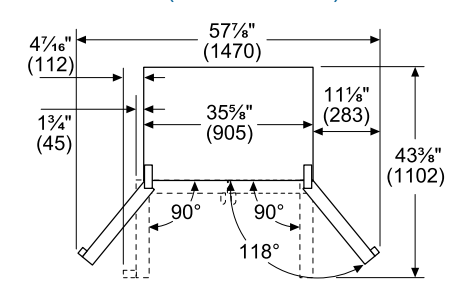
\*Add 5/8" (17) with front levelling feet fully extended

\*\*Add 1" (25) for fixed spacers on back measurements in inches (mm)

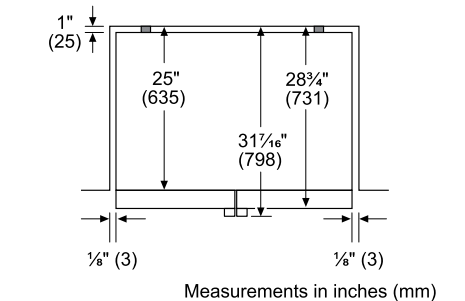


A: Add 5/8" (17) with front leveling feet fully extended

B36CT81SNS (Overhead Views)



Drawers can be pulled out with door open to 90°. Drawers can be taken out with door completely opened.



Measurements in inches (mm)



# 800 Series 4-Door French Door Refrigerators



800 Series  
 B36CL80SNS (Bar Handles)  
 B36CL80ENS (Recessed Handles)  
 4-Door French Door

- Dual Compressor and Dual Evaporator
- Counter-Depth
- FarmFresh System™
- VitaFreshPro™ Freshness Settings
- Interior Water Dispenser
- FlexBar® Flexible Storage Bar
- Home Connect™



### 800 Series 36" Counter-Depth

Stainless Steel with Bar Handles – B36CL80SNS  
 Stainless Steel with Recessed Handles – B36CL80ENS

General Properties	
Full 72" height and true counter depth for built-in appearance	Yes
Easy Clean Stainless Steel	Yes
Lighting	Recessed LED light bars
Number of compressors / evaporators	2 / 2
Defrost process refrigerator / freezer section	Frost-free / automatic
Adjustable tempered glass shelves – refrigerator	4 half-width
Flexible storage bar	FlexBar®
Full width temp. & humidity controlled drawer	VitaFreshPro™
Water dispenser, freezer ice maker, water filter	Yes (internal), yes, UltraClarityPro™
Humidity control compartments, gallon storage bins	2, 2
MultiAirFlow™	Yes
AirFresh® filter, FreshProtect® ethylene filter	Yes, yes
Stainless steel back wall	Yes
Number of drawers – freezer	3
Wi-Fi enabled	Yes, Home Connect™ app
Capacity	
Total capacity (cu. ft.)	20.5 cu. ft.
Refrigerator / freezer capacity (cu. ft.)	14.5 / 6.0 cu. ft.
Technical Details	
Current (A), Volts (V), Frequency (Hz)	15 A, 115 V, 60 Hz
Power cord length (in.)	91"
Plug type	120V-3 prong
Dimensions & Weight	
Appliance dimensions with hinges, handles and doors (HxWxD) (in.)	B36CL80SNS: 72" x 35 5/8" x 31 1/8" B36CL80ENS: 72" x 35 5/8" x 28 3/4"
Appliance dimensions without hinges and doors (HxWxD) (in.)	71 1/2" x 35 5/8" x 24"***
Appliance dimensions with hinges and doors, no handles (HxWxD) (in.)	72" x 35 5/8" x 28 3/4"
Required cutout size (HxWxD) (in.)	72" x 36" x 25"
Net weight (lbs)	350 lbs
Efficiency	
ENERGY STAR® qualified	Yes
Energy consumption (kWh / yr)	568 kWh

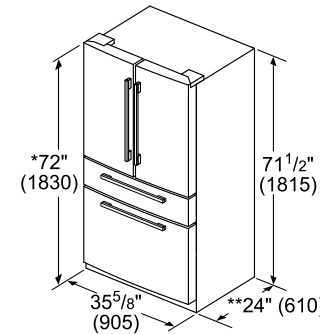
\*When leveling legs are fully extended, add 5/8" to overall height, total 72 5/8".  
 \*\*The cutout depth of 25" includes the required 1" airflow. The electrical covers on the back of unit do not require additional depth.

### Optional Accessories

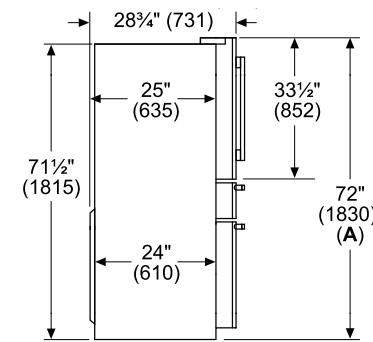
- |   |                                      |   |  |  |
|---|--------------------------------------|---|--|--|
| BOFLEXBOTL<br>FlexBar®<br>Bottle Holder | BOFLEXLGSB<br>FlexBar®<br>Deep Shelf | BOFLEXSMBS<br>FlexBar®<br>Shallow Shelf | BORPLFTR50<br>UltraClarityPro™<br>Replacement Water Filter | FPETHRF50<br>Ethylene Filter<br>Refill Kit |
|---|--------------------------------------|---|--|--|

# 800 Series 4-Door French Door Refrigerators

### B36CL80SNS Dimensions

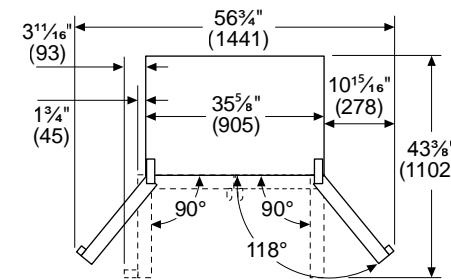


\*Add 5/8" (17) with front leveling feet fully extended  
 \*\*Add 1" (25) for fixed spacers on back

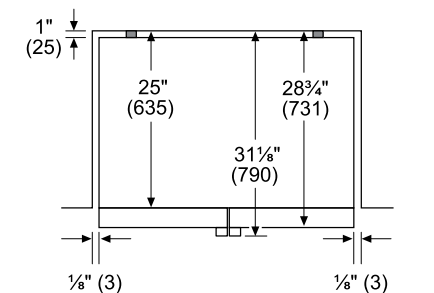


A: Add 5/8" (17) with front leveling feet fully extended  
 Measurements in inches (mm)

### B36CL80SNS (Overhead Views)

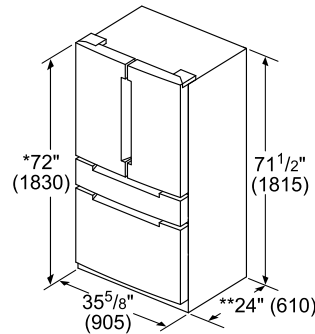


Drawers can be pulled out with door open to 90°. Drawers can be taken out with door completely opened.

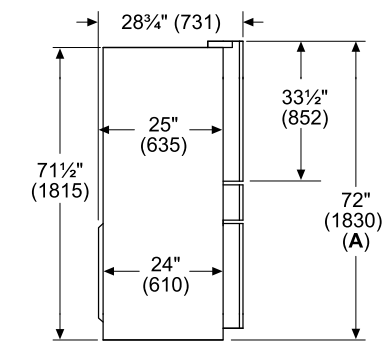


Measurements in inches (mm)

### B36CL80ENS Dimensions

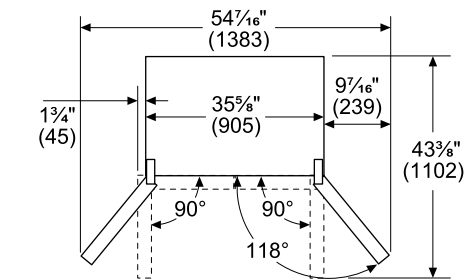


\*Add 5/8" (17) with front leveling feet fully extended  
 \*\*Add 1" (25) for fixed spacers on back

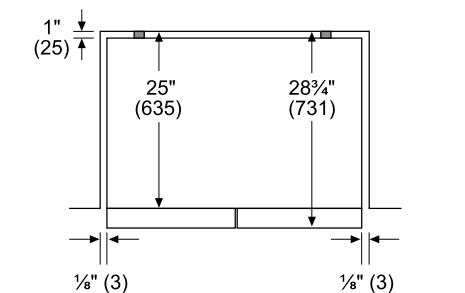


A: Add 5/8" (17) with front leveling feet fully extended  
 Measurements in inches (mm)

### B36CL80ENS (Overhead Views)

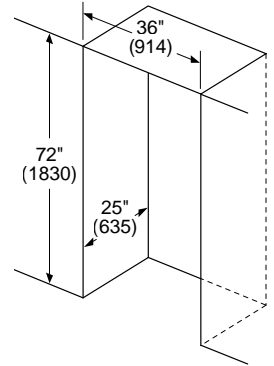


Drawers can be pulled out with door open to 90°. Drawers can be taken out with door completely opened.



Measurements in inches (mm)

### 36" Freestanding Installation



Leave 1/2" (12.7) gap at the top and 1" (25.4) behind the refrigerator for proper ventilation.

It is recommended that you do not install the refrigerator near a heat source such as a stove or a range.

measurements in inches (mm)



# 800 Series 4-Door French Door Refrigerators



**800 Series**  
**B36CL81ENG (Glass over Stainless Steel w/ Recessed Handles)**  
 4-Door French Door

- Counter-Depth
- + Refreshment Center Drawer with Pre-Programmed Settings
- Dual Compressor and Dual Evaporator
- + Stylish Tempered Glass Door
- Interior Water Dispenser
- FlexBar® Flexible Storage Bar
- Home Connect™



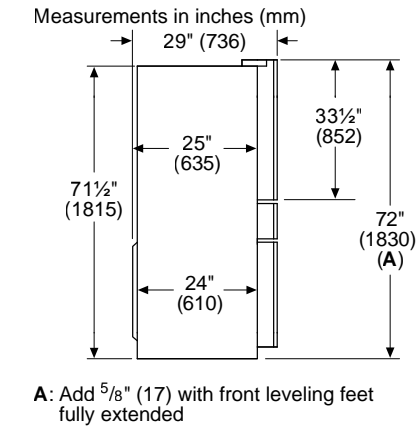
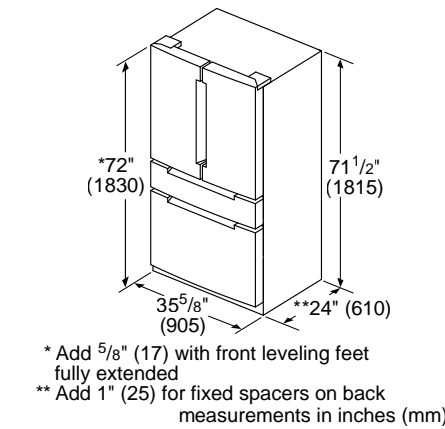
**800 Series 36" Counter-Depth**  
 Glass over Stainless Steel w/ Recessed Handles – B36CL81ENG

General Properties	
Full 72" height and true counter depth for built-in appearance	Yes
Easy Clean Stainless Steel	Yes
Lighting	Recessed LED light bars
Number of compressors / evaporators	2 / 2
Defrost process refrigerator section	Frost-free
Number of shelves – refrigerator	5
Adjustable glass shelves – refrigerator	4 half-width
Type of shelves – refrigerator	Frameless split shelves with metal trim
Flexible storage bar	FlexBar®
Gallon storage bins	2
Full width glass display drawer	1
Ice maker	Yes
Water filter	UltraClarityPro™
Internal water dispenser	Yes
Touch control panel	Yes
AirFresh® filter, MultiAirFlow™	Yes, yes
FreshProtect® ethylene filter	No
Stainless steel back wall	Yes
Defrost process freezer section	Automatic
Number of drawers – freezer	3
Wi-Fi enabled	Yes, Home Connect™ app
Capacity	
Total capacity (cu. ft.)	20.5 cu. ft.
Refrigerator / Freezer capacity (cu. ft.)	14.5 cu. ft. / 6.0 cu. ft.
Technical Details	
Current (A), Volts (V), Frequency (Hz)	15 A, 115 V, 60 Hz
Power cord length (in.)	91"
Plug type	120V-3 prong
Dimensions & Weight	
Appliance dimensions with hinges, handles and doors (HxWxD) (in.)	72** x 35 5/8" x 29"
Appliance dimensions without hinges and doors (HxWxD) (in.)	71 1/2" x 35 5/8" x 24***
Appliance dimensions with hinges and doors, no handles (HxWxD) (in.)	72** x 35 5/8" x 29"
Required cutout size (HxWxD) (in.)	72" x 36" x 25"
Net weight (lbs)	350 lbs
Efficiency	
ENERGY STAR® qualified	Yes
Energy consumption (kWh / yr)	568 kWh

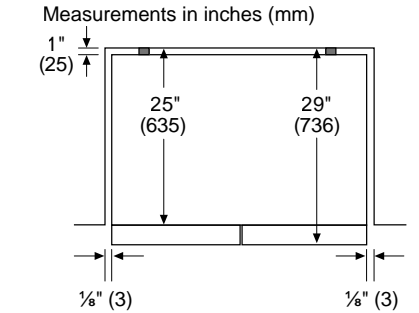
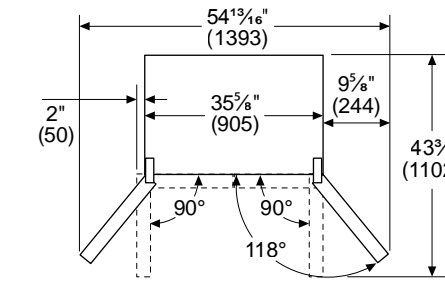
\*When leveling legs are fully extended, add 5/8" to overall height, total 72 5/8".  
 \*\*The cutout depth of 25" includes the required 1" airflow. The electrical covers on the back of unit do not require additional depth.

# 800 Series 4-Door French Door Refrigerators

## B36CL81ENG Dimensions

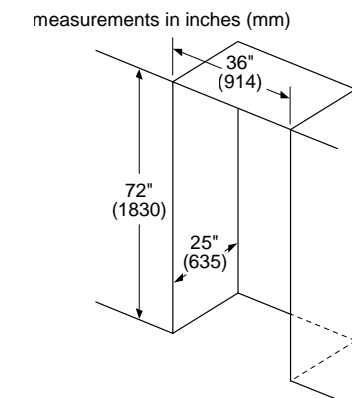


## B36CL81ENG Dimensions (Overhead Views)



Drawers can be pulled out with door open to 90°. Drawers can be taken out with door completely opened.

## B36CL81ENG Installation



Leave 1/2" (12.7) gap at the top and 1" (25.4) behind the refrigerator for proper ventilation. It is recommended that you do not install the refrigerator near a heat source such as an oven or a range.

## Optional Accessories

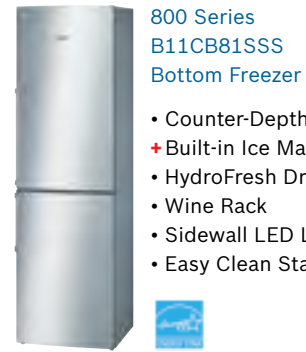
- |  |   |   |   |
|--|---|---|---|
| <b>BOFLEXBOTL</b><br>FlexBar®<br>Bottle Holder | <b>BOFLEXLGSB</b><br>FlexBar®<br>Deep Shelf | <b>BOFLEXSMBSH</b><br>FlexBar®<br>Shallow Shelf | <b>BORPLFTR50</b><br>UltraClarityPro™<br>Replacement Water Filter |
|--|---|---|---|



# 500 / 800 Series 24" Bottom Freezer Refrigerators



- 500 Series B11CB50SSS Bottom Freezer**
- Counter-Depth
  - HydroFresh Drawer
  - Wine Rack
  - Sidewall LED Lighting
  - Easy Clean Stainless Steel



- 800 Series B11CB81SSS Bottom Freezer**
- Counter-Depth
  - + Built-in Ice Maker
  - HydroFresh Drawer
  - Wine Rack
  - Sidewall LED Lighting
  - Easy Clean Stainless Steel



- 800 Series B10CB81NVW (White) B10CB81NVB (Black) Glass Door Bottom Freezer**
- Counter-Depth
  - + Stylish Tempered Glass Door
  - HydroFresh Drawer
  - Wine Rack

+ Indicates a step-up feature

500 Series 24" Counter-Depth	800 Series 24" Counter-Depth	800 Series 24" Counter-Depth
Stainless Steel – B11CB50SSS	Stainless Steel – B11CB81SSS	White Glass – B10CB81NVW Black Glass – B10CB81NVB

General Properties			
Reversible door hinge	Yes	Yes	Yes
Easy Clean Stainless Steel	Yes	Yes	N/A
Water filter	No	No	No
Lighting	LED	LED	LED
Defrost process refrigerator section	Frost-free	Frost-free	Frost-free
Number of shelves – refrigerator	3	3	3
Adjustable shelves – refrigerator	2	2	2
Shelf material – refrigerator	Tempered glass	Tempered glass	Tempered glass
Type of shelves – refrigerator	Spill-proof glass	Spill-proof glass	Spill-proof glass
Door storage bins	3	3	3
Humidity control drawer	1	1	1
Defrost process freezer section	Automatic	Automatic	Automatic
Number of drawers – freezer	3	2	3
Shelf material – freezer	Metal	Metal	Metal
Type of shelves – freezer	Wire	Wire	Wire
Ice maker	No	Yes	No

Capacity			
Total unit capacity (cu. ft.) – AHAM	11 cu. ft.	11 cu. ft.	10 cu. ft.
Refrigerator capacity (cu. ft.)	7.7 cu. ft.	7.7 cu. ft.	7.5 cu. ft.
Freezer capacity (cu. ft.)	3.3 cu. ft.	3.3 cu. ft.	2.5 cu. ft.

Technical Details			
Current (A)	15 A	15 A	10 A
Volts (V)	120 V	120 V	110 – 120 V
Frequency (Hz)	60 Hz	60 Hz	60 Hz
Power cord length (in.)	94"	94"	94"
Plug type	120V-3 prong	120V-3 prong	120V-3 prong

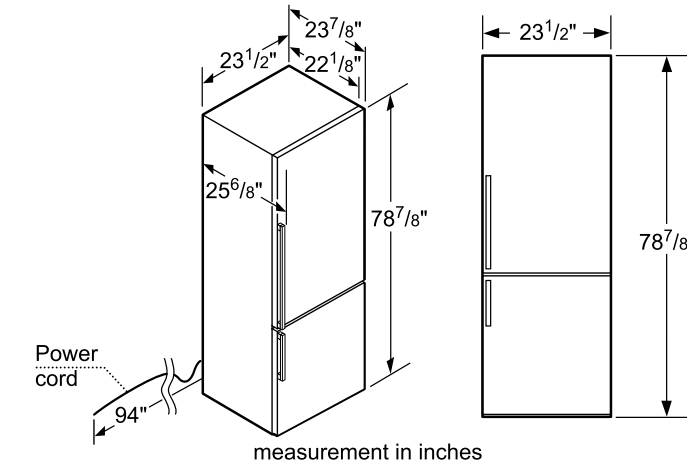
Dimensions & Weight			
Appliance dimensions (HxWxD) (in.)	78 7/8" x 23 1/2" x 23 7/8"	78 7/8" x 23 1/2" x 23 7/8"	72 7/8" x 23 1/2" x 25 3/4"
Required cutout size (HxWxD) (in.)*	79 1/2" x 24" x 24"	79 1/2" x 24" x 24"	73 1/2" x 24 1/8" x 22"
Net weight (lbs)	181 lbs	181 lbs	192 lbs

Efficiency			
ENERGY STAR® qualified	Yes	Yes	Yes
Energy consumption (kWh / yr)	357 kWh	357 kWh	383 kWh

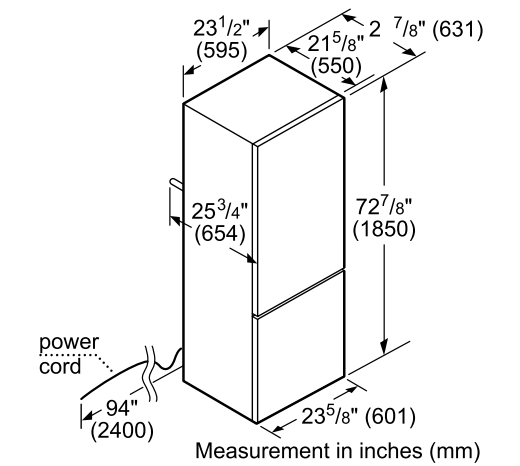
\*Add 3/4" (1.9 cm) to the height dimension when leveling legs are fully extended

# 500 / 800 Series 24" Bottom Freezer Refrigerators

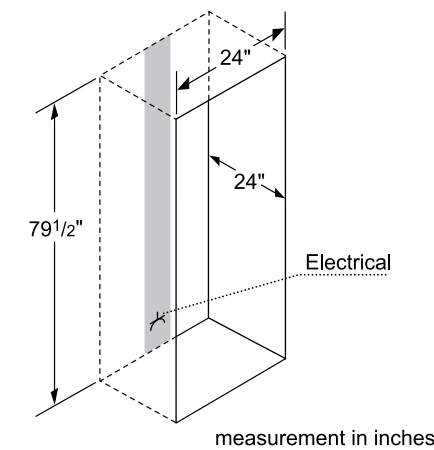
24" B11CB50SSS & B11CB81SSS Dimensions



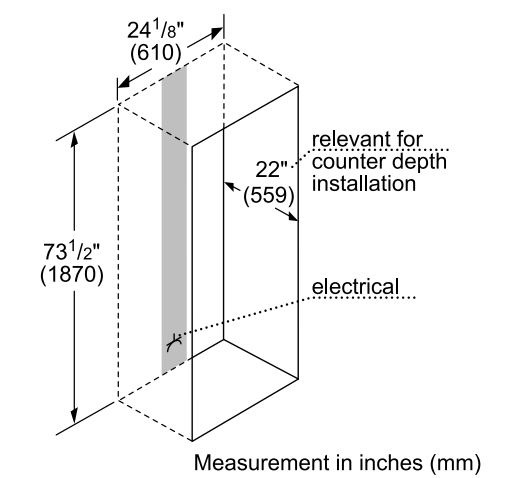
24" B10CB81NVW/B Dimensions



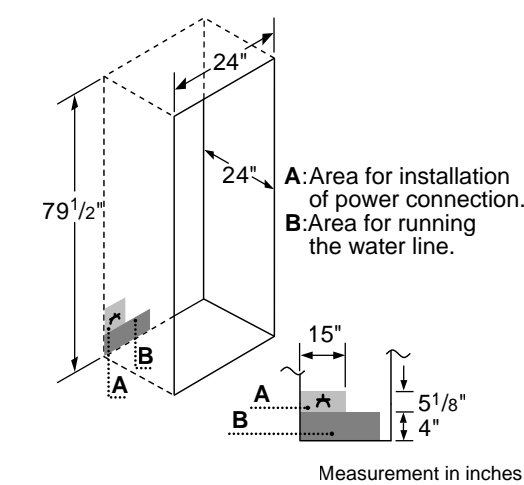
24" B11CB50SSS Installation



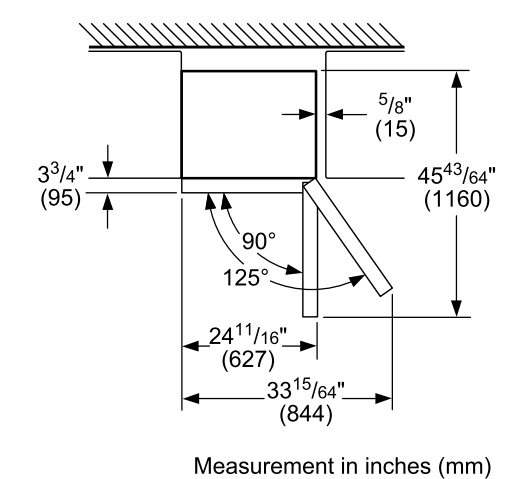
24" B10CB81NVW/B Installation



24" B11CB81SSS Installation



24" B10CB81NVW/B Overhead Views



# 800 Series 22" Built-in Bottom Freezer Refrigerator



800 Series  
B09IB91NSP  
Built-in Custom Panel Bottom Freezer with Home Connect™

- + Home Connect™
- Custom Panel Ready
- Installs Completely Flush
- Recessed LED lighting
- + VitaFresh™ Pro Drawer



+ Indicates a step-up feature

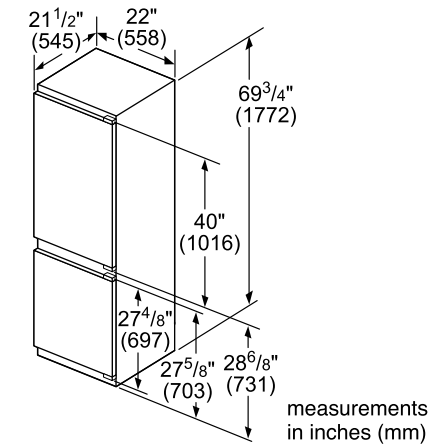
### 800 Series 22" with Home Connect™

Custom Panel – B09IB91NSP

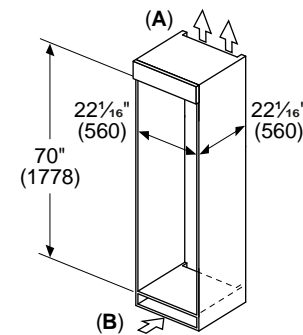
General Properties	
Home Connect™ (Wi-Fi enabled)	Yes
Reversible door hinge	Yes
Water filter	No
Lighting	Recessed LED lighting
Defrost process refrigerator section	Frost-free
Number of shelves – refrigerator	3
Adjustable shelves – refrigerator	2
Shelf material – refrigerator	Tempered glass w/metal trim
Type of shelves – refrigerator	Full-width
Gallon storage bins	No
Humidity and temperature controlled drawer	VitaFreshPro™
Defrost process freezer section	Automatic
Number of drawers – freezer	3
Ice packs	2
MultiAirFlow™	Yes
Wi-Fi enabled	Yes, Home Connect™ app
Small item railing	Yes, in the door bin
Soft close capability	Yes
Capacity	
Total capacity (cu. ft.)	8.3 cu. ft.
Technical Details	
Current (A)	10 A
Volts (V)	120 V
Frequency (Hz)	60 Hz
Power cord length (in.)	90.5"
Plug type	3-Prong
Dimensions & Weight	
Appliance dimensions (HxWxD) (in.)	69 3/4" x 22" x 21 1/2"
Required cutout size (HxWxD) (in.)	70" x 22 1/16" x 22 1/16"
Net weight (lbs)	145 lbs
Efficiency	
ENERGY STAR® qualified	Yes
Energy consumption (kWh / yr)	388 kWh

# 800 Series 22" Built-in Bottom Freezer Refrigerator

### B09IB91NSP Dimensions

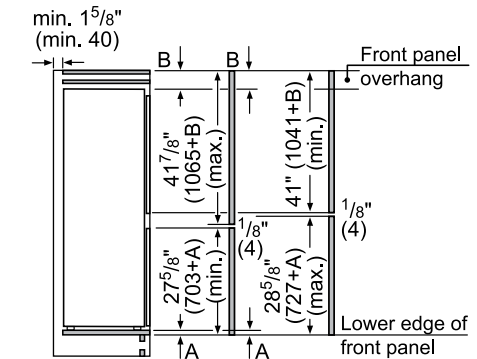


### B09IB91NSP Installation



- A: Air outlet  $\geq 31^{1/2}$  ( $\geq 200$  cm<sup>2</sup>)
- B: Ventilation space in the base  $\geq 31^{1/2}$  ( $\geq 200$  cm<sup>2</sup>)

measurements in inches (mm)



The specified unit door dimensions are valid for a door gap of 1/8" (4 mm).  
measurements in inches (mm)

### Recommended Gap Dimensions for Flat Hinges

	F	R	X
16-19	0-3	2.5	
	20	0-1	3
21	2-3	2.5	
	21	0-1	3
22	2-3	2.5	
	22	0	4
	23	1	3.5
	2-3	3	

The gap dimensions recommended in the table must be maintained to guarantee collision-free opening of appliance doors and avoid damage to kitchen furniture.

Measurements in mm

**IMPORTANT:** Handleless Panels should not be installed on units without the soft close capability. If you are uncertain if you have a refrigeration unit with soft close capability please contact our customer team by calling 1-800-944-2904.





# Laundry

With sleek, functional, compact designs, Bosch washers and dryers fit your home as much as your lifestyle. Surprisingly spacious and efficient, Bosch's compact 24" design seamlessly integrates into any laundry space either stacked or side-by-side. Our ENERGY STAR® certified washers and dryers are engineered with a variety of cycles to clean faster and preserve delicate fabrics, while saving water and energy. Ultra quiet, these space-saving, compact machines are designed to lighten life's laundry load.

The all-new 500 Series dryer with heat pump technology and America's only Self-cleaning Condenser\* reduces energy usage by approximately 60%\*\* for a more efficient dry.

Also fitted with Home Connect™, the 500 and 800 Series laundry pairs can be remotely controlled and monitored from your smart device so you can effortlessly tackle your to-do list.

\* All Bosch washers and certain 500 and 800 Series dryers are ENERGY STAR® qualified.

\*\* Based on a comparison of Bosch condensation dryers and Bosch dryers with heat pump technology as listed on the ENERGY STAR® website.



# 24" Compact Washers



300 Series  
WAT28400UC

- SpeedPerfect® Provides Up to 40% Faster Washing Time\*
- EcoSilence Motor Delivers Quiet, Efficient Performance
- Anti-vibration Circular Side Walls Reduce Vibration
- ENERGY STAR® Certified



500 Series  
WAW285H1UC 

- + Home Connect™ Controls Washer Remotely
- + Recognized as ENERGY STAR® Most Efficient of 2020
- + AquaShield® Provides Protection Against Water Damage
- + Sanitize Cycle Heats Water to Over 140 Degrees
- + Lower Noise 52 / 72 dBA (Washing / Spinning)



+ Indicates a step-up feature

	300 Series White – WAT28400UC	500 Series White – WAW285H1UC
<b>General Properties</b>		
Tub material	Stainless steel	Stainless steel
Maximum spin speed (rpm)	1,400	1,400
Interior light	No	No
Leak protection systems	Reinforced hose	AquaShield® hose
Internal water heater	Yes	Yes
Stackable	Yes with Stacking Kit Accessory	Yes with Stacking Kit Accessory
Silence level – washing (dBA)	54	52
Silence level – spinning (dBA)	73	72
Programs (No.), [Special]	(15), [Allergen, Jeans, Heavy Duty]	(14), [Sanitize, Outdoor / Sport]
Options (No.), [Special]	(6), [SpeedPerfect®, PreWash]	(10), [Remote Start, EcoPerfect™, Stains]
Energy consumption (kWh / yr)	84	84
Water consumption (gal / yr)	2,379	2,379
ENERGY STAR® certified	Yes	Most Efficient of 2020
<b>Capacity</b>		
Capacity (cu. ft.)	2.2	2.2
<b>Design Elements</b>		
Door ring	White	Silver
Control type	Touch	Premium LED touch
Dial	White	Illuminated jog dial
Bosch logo on door glass	No	Yes
<b>Technical Details</b>		
Watts (W)	2,520	2,520
Circuit breaker if plugged into an individual circuit (A)	15**	15**
Volts (V)	208/220-240	208/220-240
Current (A)	10.5	10.5
Frequency (Hz)	60	60
Plug type	240V; NEMA 6-15 (3 prong)	240V; NEMA 6-15 (3 prong)
Included power cord length (in)	63" (Full length)	63" (Full length)
Drain / inlet hose length (in)	57" / 48" (Full length)	57" / 59" (Full length)
Door hinge	Left side (not reversible)	Left side (not reversible)
<b>Dimensions &amp; Weight</b>		
Overall dimensions (HxWxD) (in)	33 1/4" x 23 1/2" x 25"	33 1/4" x 23 1/2" x 25"
Net weight (lbs)	160	160
Minimum stack height (in)	67 3/4"	67 3/4"
ADA compliance	Meets ADA height and access requirements <i>when installed on pedestal</i> . Meets ADA operable parts requirements for controls and detergent dispenser	

\*As compared to Perm Press Heavy Soil cycle without SpeedPerfect®

\*\*Stated circuit breaker size is if the appliance is plugged into an individual 240/208V, 15A minimum branch circuit. Matching Dryer is supplied with a power adapter to fit into a standard 4-prong 30A Dryer receptacle (NEMA 14-30R) and power both Bosch Washer and Dryer.

See page 240 for Accessories

# 24" Compact Washers



800 Series  
WAW285H2UC 

- + AquaStop® Plus for Leak Protection in the Base and in the Hose
- + Premium LED Controls with Enhanced Text and Icons
- + Illuminated Selection Jog Dial
- + LED Interior Light
- + SuperQuick 15 Minute Program
- + Lower Noise 50 / 71 dBA (Washing / Spinning)



+ Indicates a step-up feature

	800 Series White – WAW285H2UC
<b>General Properties</b>	
Tub material	Stainless steel
Maximum spin speed (rpm)	1,400
Interior light	Yes (LED)
Leak protection systems	AquaStop® Plus (AquaStop® base + AquaShield® hose)
Internal water heater	Yes
Stackable	Yes with Stacking Kit Accessory
Silence level – washing (dBA)	50
Silence level – spinning (dBA)	71
Programs (No.), [Special]	(14), [SuperQuick 15, Whitest Whites]
Options (No.), [Special]	(10), [Remote Start, EcoPerfect™, Stains]
Energy consumption (kWh / yr)	84
Water consumption (gal / yr)	2,379
ENERGY STAR® certified	Yes
<b>Capacity</b>	
Capacity (cu. ft.)	2.2
<b>Design Elements</b>	
Door ring	Chrome
Control type	Premium LED touch
Dial	Illuminated jog dial
Bosch logo on door glass	Yes
<b>Technical Details</b>	
Watts (W)	2,520
Circuit breaker if plugged into an individual circuit (A)	15*
Volts (V)	208/220-240
Current (A)	10.5
Frequency (Hz)	60
Plug type	240V; NEMA 6-15 (3 prong)
Included power cord length (in)	63" (Full length)
Drain / inlet hose length (in)	57" / 59" (Full length)
Door hinge	Left side (not reversible)
<b>Dimensions &amp; Weight</b>	
Overall dimensions (HxWxD) (in)	33 1/4" x 23 1/2" x 25"
Net weight (lbs)	160
Minimum stack height (in)	67 3/4"
ADA compliance	Meets ADA height and access requirements when installed on pedestal. Meets ADA operable parts requirements for controls and detergent dispenser.

\*Stated circuit breaker size is if the appliance is plugged into an individual 240/208V, 15A minimum branch circuit. Matching Dryer is supplied with a power adapter to fit into a standard 4-prong 30A Dryer receptacle (NEMA 14-30R) and power both Bosch Washer and Dryer.

See page 240 for Accessories



## 24" Compact Dryers



300 Series (Condensing)  
WTG86403UC

- Washer Plugs into Dryer Adapter for Easy Installation
- Intelligent Sensors Prevent Over Drying
- Anti-vibration Circular Side Walls Reduce Vibration
- Quick 40 Minute Program
- ENERGY STAR® Certified
- Low Noise 67 dBA



500 Series (Heat Pump) HomeConnect  
WTW87NH1UC

- Home Connect™ Controls Dryer Remotely
- Recognized as ENERGY STAR® Most Efficient of 2020
- America's Only Self-cleaning Condenser™
- Reversible Door
- Stainless Steel Drum
- Lower Noise 65 dBA



+ Indicates a step-up feature

	300 Series	500 Series
	White – WTG86403UC	White – WTW87NH1UC
<b>General Properties</b>		
Dryer type	Condensing	Heat pump
Drum material	Galvalume	Stainless steel
Interior light	No	No
Ventless drying (no ducting)	Yes	Yes
Stackable	Yes with Stacking Kit Accessory	Yes with Stacking Kit Accessory
Silence level (dBA)	67	65
Programs (No.), [Special]	(15), [Jeans, Heavy Duty]	(14), [Sanitize, Outdoor/Sport]
Options (No.), [Special]	(6), [Dry Level, Finished In]	(8), [Remote Start, Dryness Level]
Energy consumption (kWh / yr)	315	123
ENERGY STAR® certified	No	Most Efficient of 2020
<b>Capacity</b>		
Capacity (cu. ft.)	4.0	4.0
<b>Design Elements</b>		
Door ring	White	Silver
Control type	Touch	Premium LED touch
Dial	White	Silver
Bosch logo on door glass	No	Yes
<b>Technical Details</b>		
Energy source	Electric	Electric
Watts (W)	2,520	900
Circuit breaker (A)	15*	15*
Volts (V)	208/220-240	208/220-240
Current (A)	10.5	3.5
Frequency (Hz)	60	60
Plug type	240V; NEMA 6-15 (3 prong)	240V; NEMA 6-15 (3 prong)
Included power cord length (in)	63" (full length)	63" (full length)
Drain hose length (in)	78" (full length)	78" (full length)
Door hinge	Right side (not reversible)	Right side (reversible)
<b>Dimensions &amp; Weight</b>		
Overall dimensions (HxWxD) (in)	33 1/4" x 23 1/2" x 25"	33 1/4" x 23 1/2" x 25"
Net weight (lbs)	99	125
Minimum stack height (in)	67 3/4"	67 3/4"
ADA compliance	Meets ADA height and access requirements <i>when installed on pedestal</i> . Meets ADA operable parts requirements for controls and lint filter.	

\*Stated circuit breaker size is if the appliance is plugged into an individual 240/208V, 15A minimum branch circuit. Matching Dryer is supplied with a power adapter to fit into a standard 4-prong 30A Dryer receptacle (NEMA 14-30R) and power both Bosch Washer and Dryer.

See page 241 for Accessories

## 24" Compact Dryers



800 Series (Condensing) HomeConnect  
WTG865H4UC

- Premium LED Controls with Enhanced Text and Icons
- Illuminated Selection Jog Dial
- Interior LED Drum Light
- SuperQuick 15 Minute Program
- ENERGY STAR® Certified
- Lower Noise 63 dBA



+ Indicates a step-up feature

	800 Series
	White – WTG865H4UC
<b>General Properties</b>	
Dryer type	Condensing
Drum material	Stainless steel
Interior light	Yes (LED)
Ventless drying (no ducting)	Yes
Stackable	Yes with Stacking Kit Accessory
Silence level (dBA)	63
Programs (No.), [Special]	(14), [SuperQuick 15, Anti Shrink]
Options (No.), [Special]	(8), [Remote Start, Dryness Level]
Energy consumption (kWh / yr)	315
ENERGY STAR® certified	Yes
<b>Capacity</b>	
Capacity (cu. ft.)	4.0
<b>Design Elements</b>	
Door ring	Chrome
Control type	Premium LED touch
Dial	Chrome illuminated jog dial
Bosch logo on door glass	Yes
<b>Technical Details</b>	
Energy source	Electric
Watts (W)	2,520
Circuit breaker (A)	15*
Volts (V)	208/220-240
Current (A)	10.5
Frequency (Hz)	60
Plug type	240V; NEMA 6-15 (3 prong)
Included power cord length (in)	63" (full length)
Drain hose length (in)	78" (full length)
Door hinge	Right side (reversible)
<b>Dimensions &amp; Weight</b>	
Overall dimensions (HxWxD) (in)	33 1/4" x 23 1/2" x 25"
Net weight (lbs)	99
Minimum stack height (in)	67 3/4"
ADA compliance	Meets ADA height and access requirements <i>when installed on pedestal</i> . Meets ADA operable parts requirements for controls and lint filter.

\*Stated circuit breaker size is if the appliance is plugged into an individual 240/208V, 15A minimum branch circuit. Matching Dryer is supplied with a power adapter to fit into a standard 4-prong 30A Dryer receptacle (NEMA 14-30R) and power both Bosch Washer and Dryer.

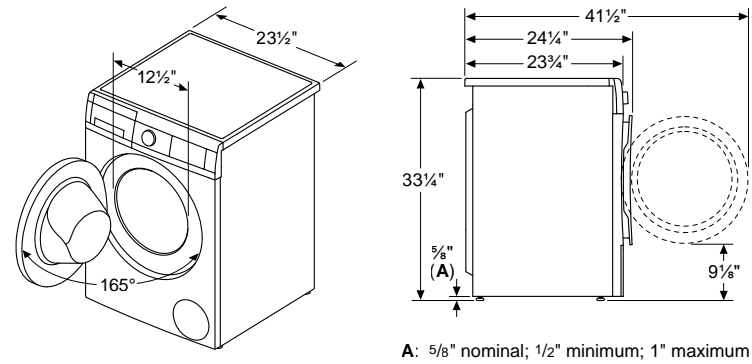
See page 241 for Accessories



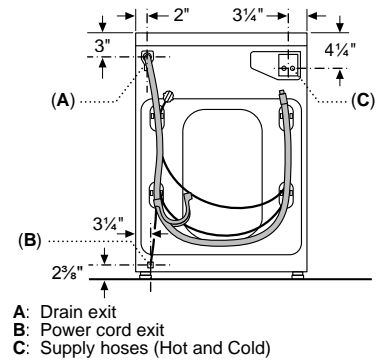


# 24" Compact Washers

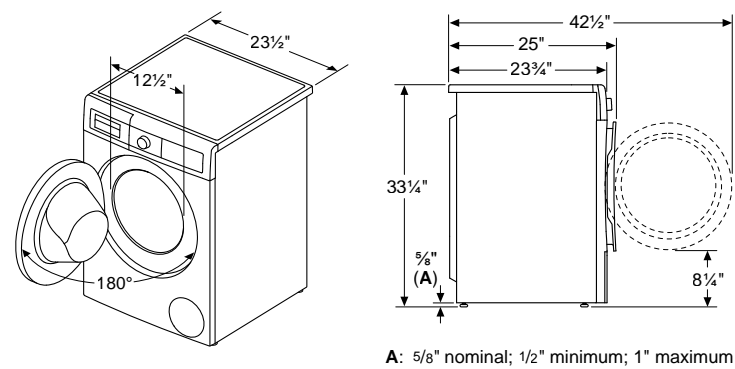
## 300 Series Dimensions and Installation



## 300 Series, 500 Series and 800 Series

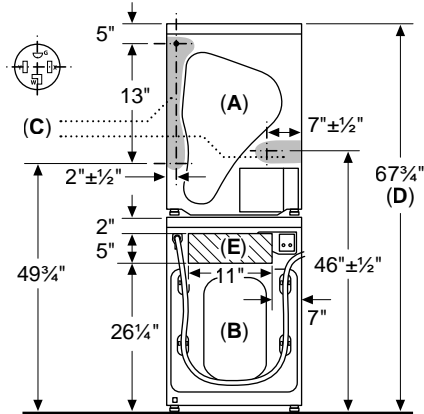


## 500 Series and 800 Series Dimensions and Installation



## 300 Series, 500 Series and 800 Series

**Guidance for location of Dryer receptacle and Water taps to minimize depth allowance (Not to Scale)**

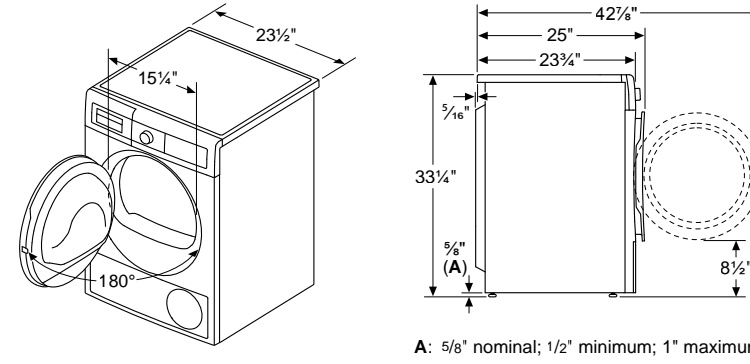


Installer / Customer is responsible for fit, function, maintenance and safety of utility installation.

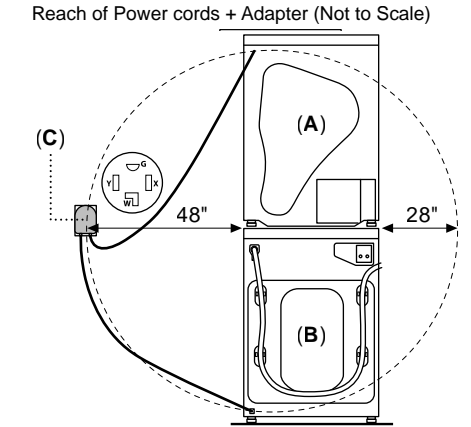
measurements in inches

# 24" Compact Dryers

## 300 Series, 500 Series and 800 Series Dimensions and installation



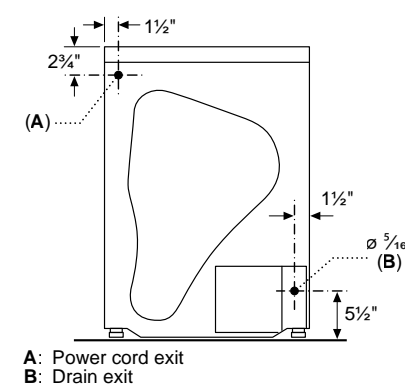
## 300 Series, 500 Series and 800 Series



Use of two individual NEMA 6-15R or 6-20R receptacles may be used as alternative means to power Washer and Dryer.

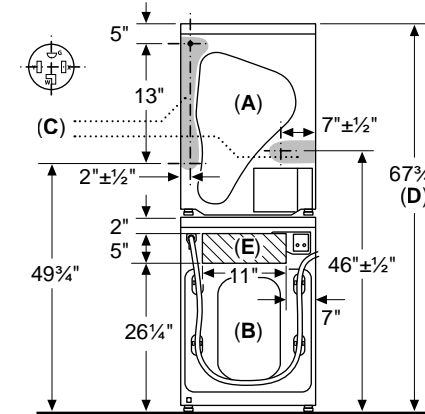
Dimensions reflect use of stacking kits.

## 300 Series and 800 Series



## 300 Series, 500 Series and 800 Series

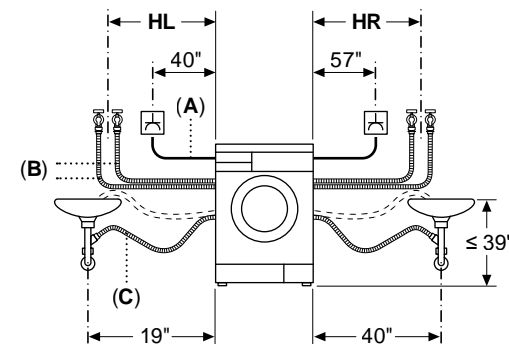
**Guidance for location of Dryer receptacle and Water taps to minimize depth allowance (Not to Scale)**



Installer / Customer is responsible for fit, function, maintenance and safety of utility installation.

measurements in inches

## 300 Series, 500 Series and 800 Series



Washer Model	Supply Hose length	
	HL	HR
WAT2840UC	37"	21"
WAW285HxUC	43"	28"

A: Electrical Receptacle  
A: Power Cord  
B: Supply Hoses  
C: Drain Hose

NOTE: See page 242 for details on installing under counter or in a closet and pedestal dimensions.

### Optional Accessories - Washers

P/N 645787  
(500 & 800 Series)  
Short Stainless Steel Hose  
(If Needed for Plumbing Box  
Clearance with AQS Hose)



WTZPA20UC  
Power Adapter  
(Included With Dryer)



WMZPW20W  
Washer Pedestal  
(Available Feb. 2021)



WTZ11400UC  
Stacking Kit With Shelf



WTZ20410UC  
Stacking Kit Without Shelf

### Included Accessories - Dryers



WTZPA20UC  
Power Adapter  
(Included With Dryer)



WMZPW20D  
Dryer Pedestal  
(Available Feb. 2021)



WTZ11400UC  
Stacking Kit With Shelf



WTZ20410UC  
Stacking Kit Without Shelf



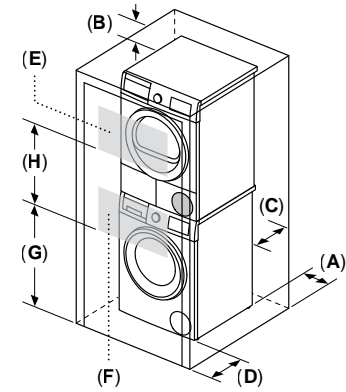
WMZ20600  
Drying Rack



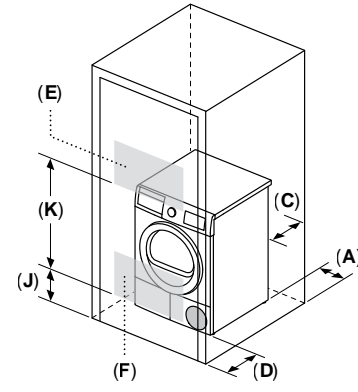
# 24" Washers and Dryers Installed in Enclosure

## Enclosure Dimensions

### Closet: Stacked Washer and Condensation Dryer



### Closet: Stand Alone (shown) or Side by Side

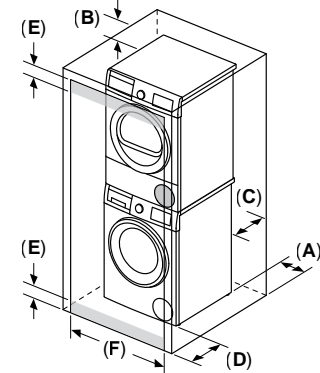


**Minimum clearance requirements**  
(Stacked, Stand Alone or Side by Side):  
A: Both sides (left and right) – 5/8"  
B: Top – 6 1/4"  
C: Rear – 2 1/2"  
D: Front – 2 1/2"

**Minimum louvered area and spacing:**  
E: Top louver area – 63 sq. in.  
F: Bottom louver area – 63 sq. in.  
G: Lower Height (stacked) – 37"  
H: Upper Height (stacked) – 26"  
J: Lower Height (stand alone) – 3"  
K: Upper Height (stand alone) – 29"

For shortest drying times keep closet door open while dryer is operating. When closet doors are closed, open areas only allow minimal drying results (expect long drying times).

### Closet: Stacked Washer with Heat Pump Dryer

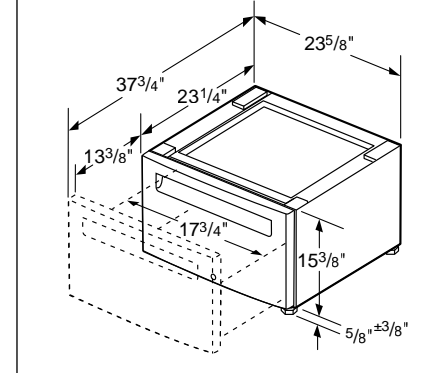


**Minimum clearance requirements**  
(Stacked, Stand Alone or Side by Side):  
A: Both sides (left and right) – 1/2"  
B: Top – 6 1/4"  
C: Rear – 3"  
D: Front – 1/2"

**Minimum door undercut (louvered area):**  
E: Undercut height (Top and Bottom) – 1 1/4"  
Louvered areas of equal total sizes and split between upper and lower portions of door are permitted.  
F: Undercut width (Top and Bottom):  
– 24" minimum for Stacked and Stand Alone  
– 48" minimum for Side by Side

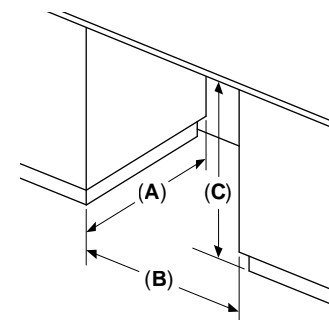
For shortest drying times keep closet door open while dryer is operating. When closet doors are closed, open areas only allow minimal drying results (expect long drying times).

### Optional Pedestal



### All 300-500-800 Series Washers & Dryers

#### Under Counter (Preferred)

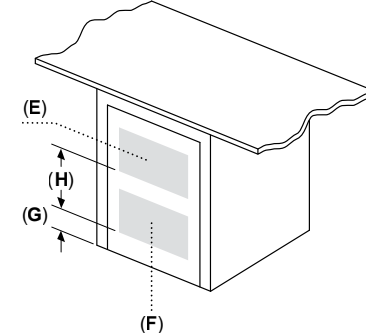


**Minimum opening dimensions:**  
A: Depth – 28"  
B: Width – 23 7/8"  
C: Height – 34 1/2"

Front of appliance fully open.  
No doors or coverings.

### All 300-500-800 Series Washers & Condensate Dryers

#### Under Counter Enclosed (Less Preferred)



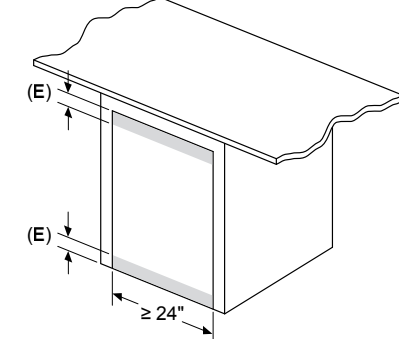
If the front of the appliance is covered, louvered openings must be installed as shown and front/rear clearances adhered to according to closet installations.

**Minimum louvered area and spacing:**  
E: Top louver area – 63 sq. in.  
F: Bottom louver area – 63 sq. in.  
G: Lower Height – 3"  
H: Upper Height – 14"

For shortest drying times keep cabinet door open while dryer is operating. When cabinet door is closed, open areas only allow minimal drying results (expect long drying times).

### 500 Series Heat Pump Dryer

#### Under Counter Enclosed (Less Preferred)



**Minimum door undercuts:**  
E: Undercut height (Top and Bottom) – 1 1/4"  
Louvered areas of equal total sizes and split between upper and lower portions of door are permitted.

For shortest drying times keep cabinet door open while dryer is operating. When cabinet door is closed, open areas only allow minimal drying results (expect long drying times).






measurements in inches



# Experience Bosch.

Bosch appliances are built with precision engineering and invented for life. Whether you would like to research our products, get inspired with kitchen design ideas, or have questions on the use and care of your product, simply browse our online resource library at [bosch-home.com/us](https://www.bosch-home.com/us).

## Connect with us

-  [instagram.com/boschhomeus](https://www.instagram.com/boschhomeus)
-  [facebook.com/boschappliances](https://www.facebook.com/boschappliances)
-  [youtube.com/boschhome](https://www.youtube.com/boschhome)
-  [twitter.com/boschhomeus](https://www.twitter.com/boschhomeus)
-  [pinterest.com/boschhomeus](https://www.pinterest.com/boschhomeus)

Visit the above sites to get inspired and share photos of your new kitchen.

Come visit us at any of our beautiful showroom locations:

- BSH Experience & Design Center  
17911 Von Karman, Suite 100  
Irvine, CA 92614  
949-224-4700
- BSH Experience & Design Center  
222 Merchandise Mart, Suite 108  
Chicago, IL 60654  
312-832-3200
- A&D Building New York City  
BSH Experience & Design Center  
150 East 58th Street, Suite 700  
New York, NY 10155  
888-455-8892 or 212-588-0950

Get complete details at  
[bosch-home.com/us/experience-bosch/showrooms](https://www.bosch-home.com/us/experience-bosch/showrooms)



# Service you can trust 100%.

Please don't hesitate to contact us if you have questions on our product line, need advice about use and care, or would like to purchase accessories. We are ready to assist you.

## Bosch Customer Support

Contact us for cleaning & care tips, usage instructions, and more. We're here to help.

- > Appliance Advice
- > Troubleshooting Assistance
- > Service Visit/Repair Scheduling
- > Home Connect™ Set-up
- > Cleaners, Accessories & Parts

**1-800-944-2904**

(24/7 Call Center Access with U.S. & Canadian call centers)

[www.bosch-home.com/us/owner-support](http://www.bosch-home.com/us/owner-support)

## Website

- > How-to Videos
- > Frequently Asked Questions
- > Filters, Accessories, and Parts
- > Owner Manuals
- > Product Registration
- > Find a Dealer
- > Find a Bosch Authorized Servicer

Bosch Home Appliances US:  
[www.bosch-home.com/us](http://www.bosch-home.com/us)

Bosch Home Appliances Canada:  
[www.bosch-home.ca](http://www.bosch-home.ca)



## Warranty

- > Lifetime Stainless Steel Rust-through Warranty for Dishwashers and Refrigerators
- > One-year Limited Warranty on all Bosch Appliances
- > See page 247 for additional warranty information

Important Note: Please refer to installation instructions prior to making cutout. BSH reserves the absolute and unrestricted right to change product materials and specifications, at any time, without notice. Consult the product's installation instructions for final dimensional data and other details. Applicable product warranty can be found in accompanying product literature or you may contact your account manager for further details. For more information on our entire line of products, go to [www.bosch-home.com/us](http://www.bosch-home.com/us) (Canada residents go to [www.bosch-home.ca](http://www.bosch-home.ca)) or call 1-800-944-2904.

# Warranty

## Cooktops & Rangetops

Limited warranty, entire appliance, parts and labor (1 year)

## Ovens

Limited warranty, entire appliance, parts and labor (1 year)

## Microwaves

Limited warranty, entire appliance, parts and labor (1 year)

## Built-in Coffee Machine

Limited warranty, entire appliance, parts and labor (1 year)

## Ranges

Limited warranty, entire appliance, parts and labor (1 year)

## Ventilation

Limited warranty, entire appliance, parts and labor (1 year)

## Dishwashers

Limited warranty, entire appliance, parts and labor (1 year)

Limited warranty for microprocessor or printed circuit board; parts only (2nd to 5th year)

Limited warranty for racks (does not include rack components); parts only (2nd to 5th year)

Limited warranty for rust-through on inner tub liner; parts only (lifetime)

## Refrigerators

Limited warranty, entire appliance, parts and labor (1 year)

Limited warranty for non-electronic components; parts only (1st to 2nd year)

Limited warranty for electronic components; parts only (2nd to 5th year)

Limited warranty for rust-through on stainless steel; parts only (lifetime)

## 24" Compact Laundry (Washers & Dryers)

Limited warranty, entire appliance, parts and labor (1 year)

Extended limited warranty from date of purchase (2 years)

Bosch will repair or replace, free of charge, any printed circuit boards, drive motor, or component part of the drive motor that proves defective under conditions of normal home use during the first two years from the date of purchase, labor charges excluded.

Warranty Note: Bosch warrants that the Product is free from defects in materials and workmanship for a period of three hundred and sixty-five (365) days from the date of purchase. The foregoing timeline begins to run upon the date of purchase, and shall not be stalled, tolled, extended, or suspended, for any reason whatsoever. This Product is also warranted to be free from cosmetic defects in material and workmanship (such as scratches of stainless steel, paint/porcelain blemishes, chips, dents, or other damage to the finish of the Product, for a period of thirty (30) days from the date of purchase or closing date for new construction. This cosmetic warranty excludes slight color variations due to inherent differences in painted and porcelain parts, as well as differences caused by kitchen lighting, product location, or other similar factors. This cosmetic warranty specifically excludes any display, floor, "As Is", or "B" stock appliances.



# Spec Sheet Download Tool [↓](#)

Click or tap a product number for spec sheet to download.



### Induction Cooktops Benchmark® Series

- NITP069UC
- NITP069SUC
- NITP669UC
- NITP669SUC
- 500 Series**
- NIT5469UC
- NIT5068UC
- NIT5668UC
- 800 Series**
- NIT8069UC
- NIT8069SUC
- NIT8669UC
- NIT8669SUC



### Gas Cooktops Benchmark® Series

- NGMP056UC
- NGMP656UC
- NGMP077UC
- NGMP677UC
- 500 Series**
- NGM5456UC
- NGM5056UC
- NGM5656UC
- 800 Series**
- NGM8056UC
- NGM8046UC
- NGM8656UC
- NGM8646UC
- NGM8057UC
- NGM8657UC



### Electric Cooktops Benchmark® Series

- NETP068SUC
- NETP668SUC
- 500 Series**
- NEM5466UC
- NEM5066UC
- NEM5666UC
- 800 Series**
- NET8068UC
- NET8068SUC
- NET8668UC
- NET8668SUC



### Gas Rangetops 800 Series

- RGM8058UC
- RGM8658UC



### Single Ovens Benchmark® Series

- HBLP451UC
- HBLP451LUC
- HBLP451RUC
- 500 Series**
- HBE5453UC
- HBE5452UC
- HBL5351UC
- HBL5451UC
- HBN5451UC
- 800 Series**
- HBL8453UC
- HBL8443UC
- HBL8463UC
- HBN8451UC



### Steam Convection Benchmark® Series

- HSLP451UC



### Combination Ovens Benchmark® Series

- HBLP752UC
- HSLP751UC
- 500 Series**
- HBL57M52UC
- 800 Series**
- HBL87M53UC
- HBL8753UC
- HBL8743UC



### Double Ovens Benchmark® Series

- HBLP651UC
- HBLP651LUC
- HBLP651RUC
- 500 Series**
- HBL5551UC
- HBL5651UC
- HBN5651UC
- 800 Series**
- HBL8651UC
- HBL8642UC
- HBL8661UC
- HBN8651UC



### Speed Ovens Benchmark® Series

- HMCP0252UC
- 500 Series**
- HMC54151UC
- 800 Series**
- HMC80152UC
- HMC87152UC
- HMC80252UC
- HMC80242UC



### Drawers 500 Series / Storage

- HSD5051UC
- 500 Series / Warming**
- HWD5051UC
- HWD5751UC



### Microwave Ovens Over-the-Range Benchmark® Series

- HMVP053U
- 300/500/800 Series**
- HMV3053U
- HMV5053U
- HMV8053U
- HMV8044U
- Drawer Microwaves  
800 Series**
- HMD8451UC
- HMD8053UC
- Built-in Microwaves  
500 Series**
- HMB57152UC
- HMB50152UC
- HMB50162UC



### Coffee Machine BCM8450UC



### Slide-in Ranges Benchmark® Series

- HIIP056U
- HEIP056U
- HDIP056U
- HGIP056UC
- 800 Series**
- HI8056U
- HI8046U
- HEI8056U
- HEI8046U
- HDI8056U
- HGI8056UC
- HGI8046UC



### Industrial Ranges 800 Series

- HGS8055UC
- HGS8045UC
- HDS8055U
- HDS8045U
- HGS8655UC
- HGS8645UC
- HDS8655U
- HDS8645U

# Spec Sheet Download Tool [↓](#)

Click or tap a product number for spec sheet to download.



### Chimney Wall Hoods

- HCG56651UC
- HCP34E52UC
- HCP30E52UC
- HCP50652UC
- HCB50651UC
- HCP80641UC
- HCP36E52UC
- HCP56652UC
- HCB56651UC
- HCP86641UC



### Island Hoods HIB82651UC



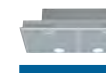
### Pull-Out Hoods

- HUI54452UC
- HUI50351UC
- HUI56551UC



### UnderCabinet Hoods

- DUH30152UC
- DUH30252UC
- DPH30652UC
- DUH36152UC
- DUH36252UC
- DPH36652UC



### Custom Insert Hoods

- HUI31451UC
- DHL755BUC



### Downdraft Hoods

- HDD80051UC
- HDD86051UC



### Dishwashers Benchmark® Series

- SHP87PZ55N
- SHX87PZ55N
- SHP88PZ55N
- SHX88PZ55N
- SHV88PZ53N
- SHE88PZ65N
- SHX88PZ65N
- SHV88PZ63N
- SHE89PW75N
- SHX89PW75N
- SHV89PW73N
- 100 Series**
- SHE3AR75UC
- SHE3AR72UC
- SHE3AR76UC
- SHX3AR75UC
- SHX3AR72UC
- SHX3AR76UC
- SHEM3AY55N
- SHEM3AY52N
- SHXM4AY55N
- SHXM4AY52N
- SHXM4AY56N
- SHXM4AY54N
- 300 Series**
- SHEM63W55N
- SHEM63W52N
- SHEM63W56N
- SHSM63W55N
- SHSM63W52N
- SHSM63W56N
- SHXM63W55N
- SHVM63W53N
- SHXM63WS5N
- SHS863WD5N
- SHS863WD2N
- SHS863WD6N
- SHX863WD5N
- SHV863WD3N
- 500 Series**
- SHPM65Z55N
- SHPM65Z52N
- SHPM65Z56N
- SHXM65Z55N
- SHP865ZD5N
- SHP865ZD2N
- SHP865ZD6N



### Refrigeration Benchmark® Series

- Available thru 12/20**
- B30IR900SP
- B18IF900SP
- B30BB930SS
- B30IB900SP
- B36BT930NS
- B36IT900NP
- Benchmark® Series  
Available 12/20**
- B30IR905SP
- B18IF905SP
- B30BB935SS
- B30IB905SP
- B36BT935NS
- B36IT905NP
- 300 Series**
- B20CS30SNS
- 500 Series**
- B36CD50SNS
- B36CD50SNB
- B11CB50SSS
- 800 Series**
- B36CT80SNS
- B36CT80SNB
- B26FT50SNS
- B36CT81SNS
- B36CL80SNS
- B36CL80ENS
- B11CB81SSS
- B10CB81NVW
- B10CB81NVB
- B09IB91NSP



### Compact Washers 300 Series

- WAT28400UC
- 500 Series**
- WAW285H1UC
- 800 Series**
- WAW285H2UC



### Compact Dryers 300 Series

- WTG86403UC
- 500 Series**
- WTW87NH1UC
- 800 Series**
- WTG865H4UC



Bosch Home Appliances  
1901 Main Street, Suite 600  
Irvine, CA 92614  
1-800-944-2904

**[www.bosch-home.com/us](http://www.bosch-home.com/us) (U.S.)**

**[www.bosch-home.ca](http://www.bosch-home.ca) (Canada)**

BSH reserves the absolute and unrestricted right to change product materials and specifications, at any time, without notice. Consult the product's installation instructions for final dimensional data and other details. Applicable product warranty can be found in accompanying product literature or you may contact your account manager for further details.

©2020 BSH Home Appliances Corporation.

All rights reserved. Bosch is a registered trademark of Robert Bosch GmbH.