

HPIN54WS

54-INCH BOX ISLAND HOOD

PROFESSIONAL® SERIES



FEATURES & BENEFITS

- Meticulously sculpted, floating stainless steel Professional® Series island hoods make a dramatic statement in your kitchen
- ★ - Equipped with the Thermador Connected Experience by Home Connect™
- Powerfully Quiet® system accepts integral, inline, and remote blowers
- Beautiful illumination with multi-level, vivid LED lights
- Features automatic mode, delay shut-off, and check filter light

ACCESSORIES (OPTIONAL)

25 ft. Blower Connector Cable - EXTNCB25W

For use with the following inline and remote blowers: VTR630W, VTR1030W, VTR1330W, VTI610W, VTI1010W

Roofplates

RFPLT600P - For use with 600 CFM remote blower VTR630W

RFPLT1000P - For use with 1000 CFM remote blower VTR1030W and 1300 CFM blower VTR1330W

8" Wall Cap	WC8
10" Wall Cap	WC10
Roof Jack and Transition	RJ310

GENERAL PROPERTIES

Features

Multi-Level LED Lights with Fading Transitions, Automatic Mode, Check Filter Reminder Light, Delay Shut-Off

Operating Mode	Ducted
Maximum CFM	Blower Sold Separately
Number of Speed Settings	4-Stage
Number of Lights	4
Bulb Type	LED
Total Power of the Lamps (W)	4.8 W
Damper Included	Yes
Grease Filter Material	Washable Stainless Steel

Grease Filter Type

Stainless-Steel Commercial Style Baffle Filter

Home Connect™ (Wi-Fi Enabled)	Yes
-------------------------------	-----

TECHNICAL DETAILS

Watts (W)	See Chart on Page 3
Current (A)	See Chart on Page 3
Volts (V)	120 V
Frequency (Hz)	60 Hz
Plug Type	Fixed Connection
Power Cord / Conduit Length (in)	Direct Wire at Junction Box

DIMENSIONS & WEIGHT

Overall Appliance Dimensions (Width of Canopy Included) (HxWxD) (in)	5 1/4" x 53 15/16" x 26 11/16"
Height of the Chimney (in)	24 3/4" – 36 3/4"
Minimum Ceiling Height Required	8'
Required Distance Above Cooktop / Range Cooking Surface	30" / 30" min. 40" / 40" max.
Diameter of Air Duct (in) Top	10"
Net Weight (lbs)	143 lbs

ACCESSORIES (REQUIRED)

Blower (Sold Separately)

BLOWER OPTIONS

Remote Blowers (Mounted to Roof or External Wall)	VTR630W - 600 CFM
	VTR1030W - 1000 CFM
	VTR1330W - 1300 CFM
Inline Blowers (Mounted Between Kitchen and External Wall)	VTI610W - 600 CFM
	VTI1010W - 1000 CFM
Integrated Blower (Mounted in Hood)	VTN630W - 600 CFM
	VTN1090R - 1000 CFM

WARRANTY

Limited Warranty Parts and Labor	2 Year
----------------------------------	--------

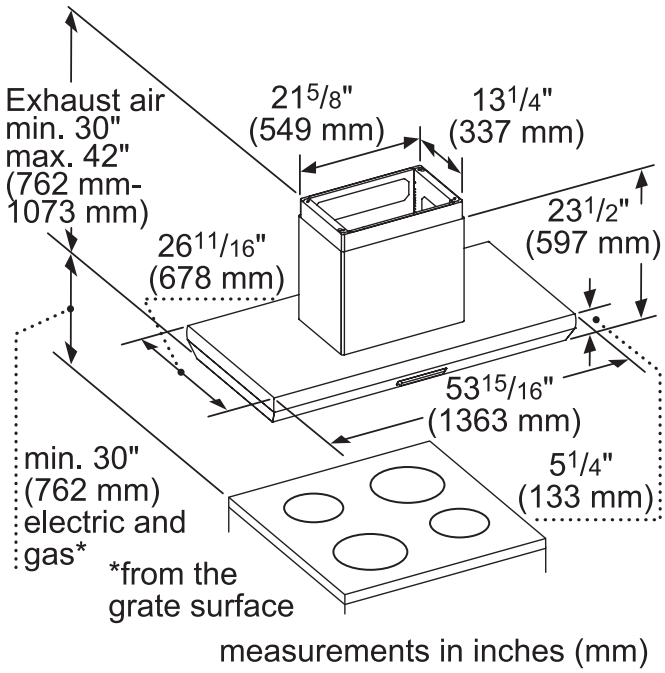
HPIN54WS

54-INCH BOX ISLAND HOOD

PROFESSIONAL® SERIES



HOOD DIMENSIONS



HPIN54WS

54-INCH BOX ISLAND HOOD

PROFESSIONAL® SERIES

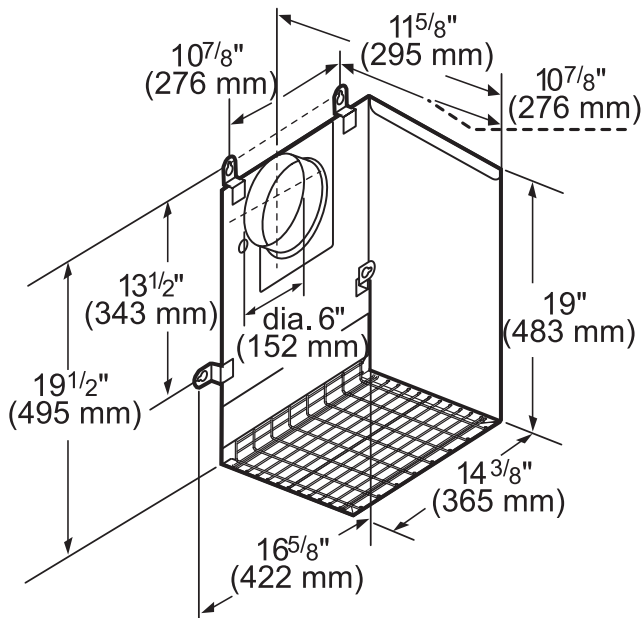


MODEL	DESCRIPTION		ELECTRIC LOAD						
			VTN630W	VTN1090W	VTI610W	VTI1010W	VTR630W	VTR1030W	VTR1330W
HPIN54WS	54" Pro Island Hood	Amps	4.6	8.0	6.5	8.4	6.5	8.4	11.9
		Watts	552	960	780	1,008	780	1,008	1,428

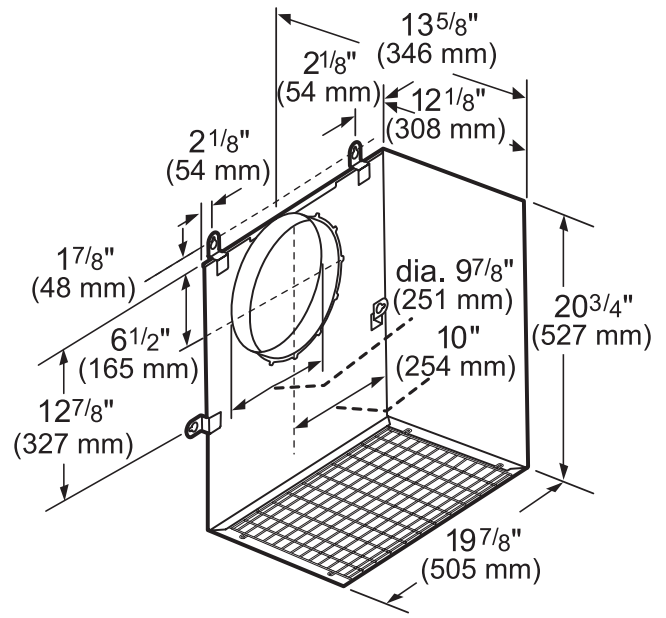
REMOTE BLOWERS (MOUNTED TO ROOF OR EXTERNAL WALL)

VTR630W-600 CFM

VTR1030W-1000 CFM

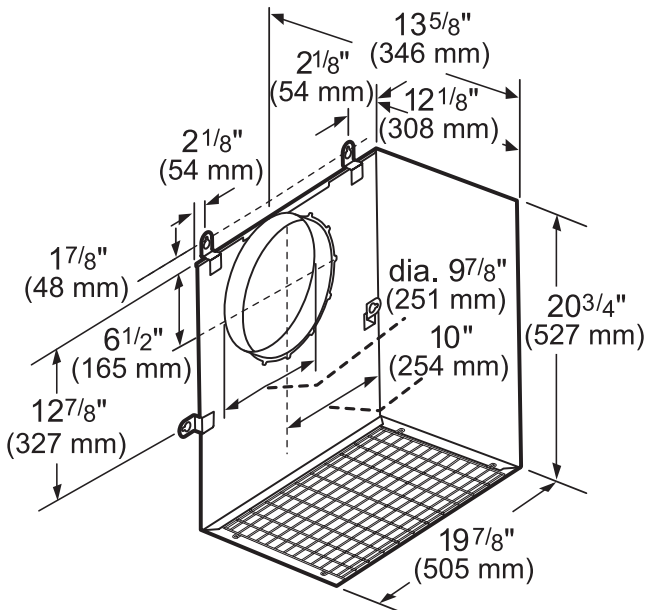


measurements in inches and mm



measurements in inches and mm

VTR1330W-1300 CFM



measurements in inches and mm

HPIN54WS

54-INCH BOX ISLAND HOOD

PROFESSIONAL® SERIES



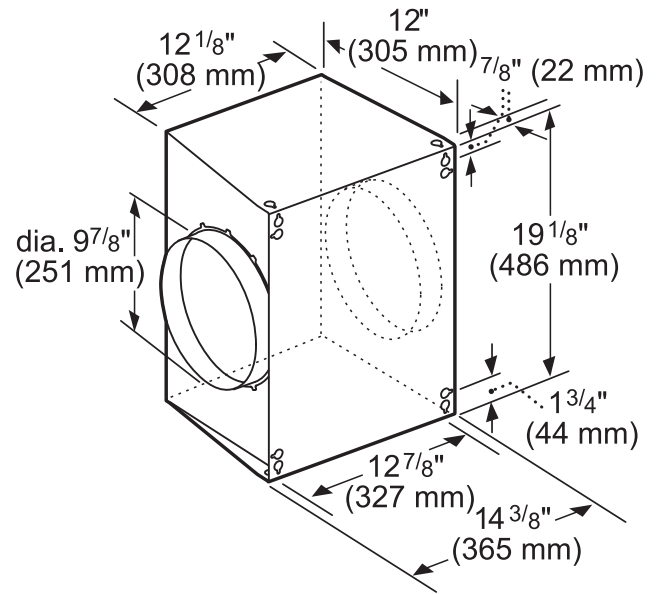
INLINE BLOWERS (MOUNTED BETWEEN KITCHEN AND EXTERNAL WALL)

VTI610W-600 CFM



measurements in inches and mm

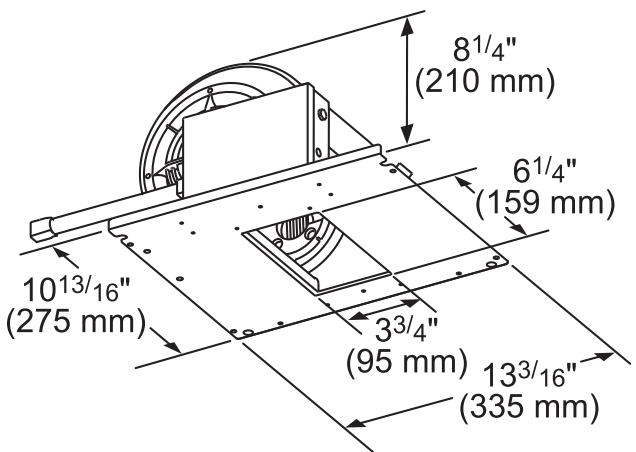
VTI1010W-1000 CFM



measurements in inches and mm

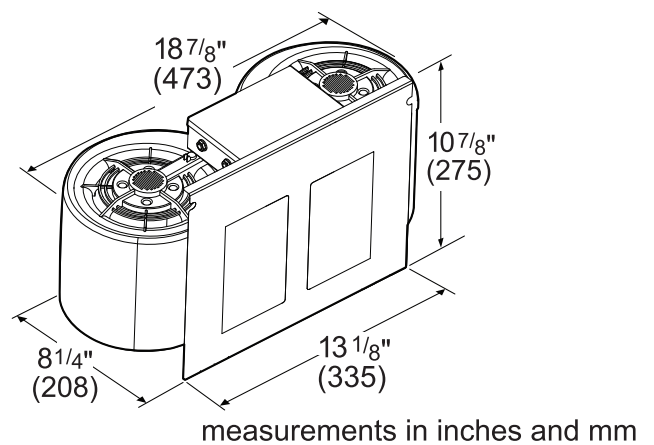
INTEGRATED BLOWERS (MOUNTED IN HOOD)

VTN630W-600 CFM



measurements in inches (mm)

VTN1090R-1000 CFM



measurements in inches and mm

HPIN54WS

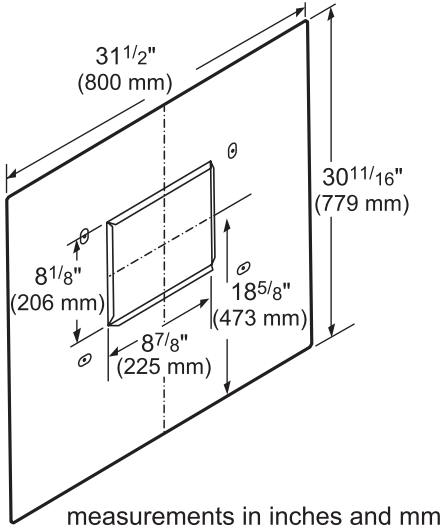
54-INCH BOX ISLAND HOOD

PROFESSIONAL® SERIES

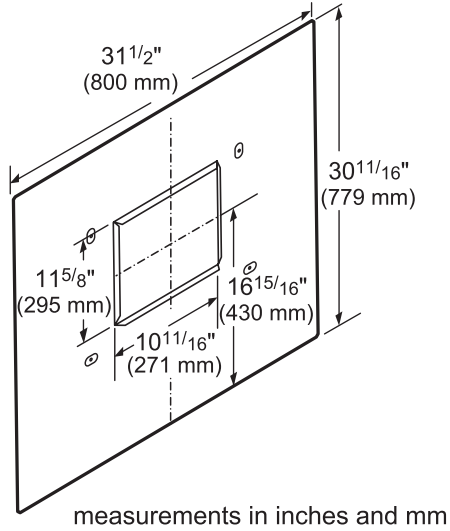


REMOTE BLOWER ACCESSORIES

ROOFPLATE-RFPLT600P



ROOFPLATE-RFPLT1000P

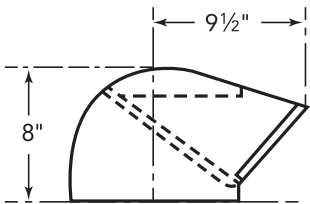


EXTNCB25W

For use with the following Inline and Remote Blowers: VTR630W, VTR1030W, VTR1330W, VTI610W, VTI1010W

ROOF JACK & TRANSITION

ROOF JACK-RJ310



HPIN54WS

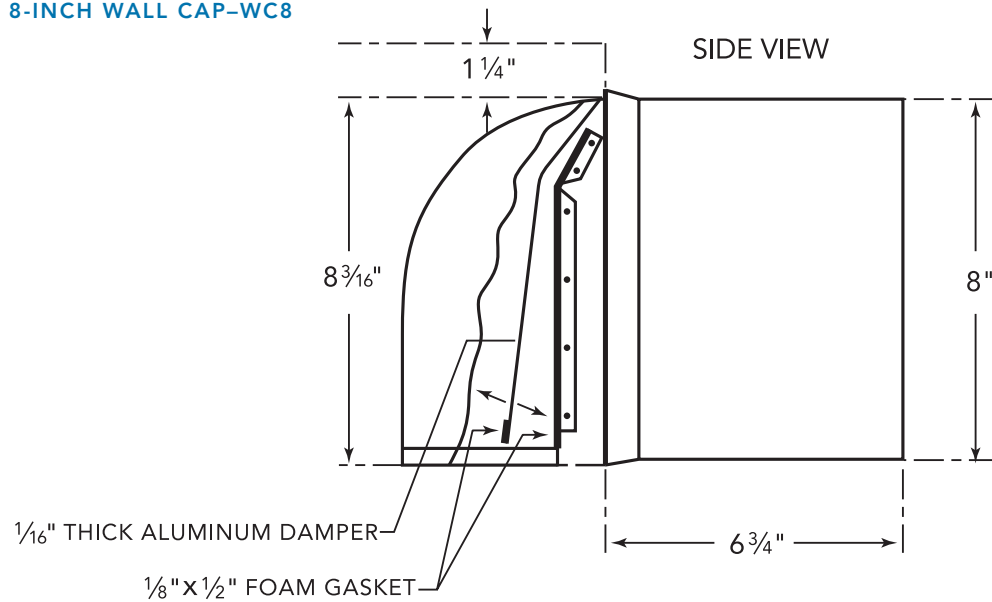
54-INCH BOX ISLAND HOOD

PROFESSIONAL® SERIES

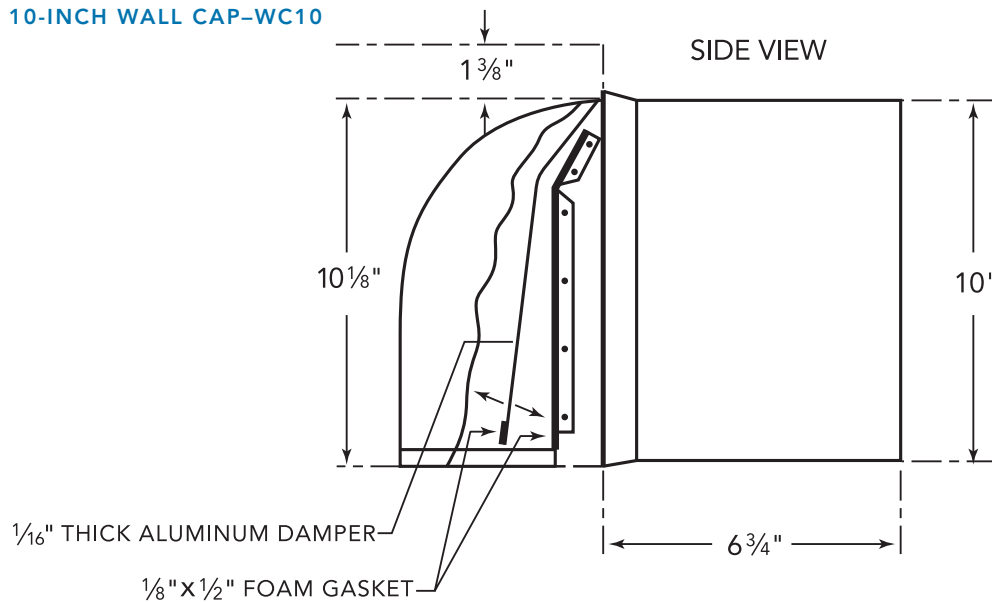


WALL CAPS

8-INCH WALL CAP-WC8



10-INCH WALL CAP-WC10



These warranties give you specific legal rights and you may have other rights that vary from state to state. Full warranty and limited warranty from date of installation. For complete warranty details, refer to your Use & Care manual, or ask your dealer.

Specifications are for planning purposes only. Refer to installation instructions and consult your countertop supplier prior to making counter opening. Consult with a heating and ventilation engineer for your specific ventilation requirements. For the most detailed information, refer to installation instructions accompanying product or write to Thermador indicating the model number. Specifications are correct at time of printing. Thermador reserves the right to change product specifications or design without notice. Some models are certified for use in Canada. Thermador is not responsible for products that are transported from the U.S. for use in Canada.

HMIB36WS

36-INCH LOW PROFILE ISLAND HOOD WITH BLOWER

MASTERPIECE® SERIES



Image shown is not final

FEATURES & BENEFITS

- ★ - Noise Control Deluxe™ drastically reduces noise while hood is in use
- ★ - Equipped with the Thermador Connected Experience by Home Connect™
 - Cooktop Hood Sync enables control through Freedom® Induction Cooktop
 - Efficient perimeter grease-capturing filters
 - Beautiful illumination with multi-level, vivid LED lights

ACCESSORIES (OPTIONAL)

Stainless Steel Island Hood Extension

CHXTHMIB - For up to 12-foot ceiling applications. Extension replaces upper section of standard chimney extension.

Recirculation Kit

RECHMIB - For HMIBxxWS Masterpiece® Island Hoods only

Replacement Charcoal Filter

CHFHMIB - For use with recirculation kit RECHMIB

8" Wall Cap

WC8

GENERAL PROPERTIES

Features

Cooktop Hood-Sync Enabled, Noise Control Deluxe™, Efficient Perimeter Filters, Multi-Level LED Lights with Fading Transitions, Automatic Mode, Check Filter Reminder Light, Delay Shut-Off

Operating Mode	Convertible: Ducted / Recirculating
Maximum CFM	600 CFM
Sones*	1.2
Number of Speed Settings	4-Stage
Motor Location	Integrated Motor in Hood Chimney
Number of Lights	4
Bulb Type	LED
Total Power of the Lamps (W)	4.8 W
Damper Included	Yes
Grease Filter Material	Washable Aluminum Mesh
Grease Filter Type	Hybrid Mesh
Home Connect™ (Wi-Fi Enabled)	Yes

TECHNICAL DETAILS

Watts (W)	468 W
Current (A)	15 A
Volts (V)	120 V
Frequency (Hz)	60 Hz
Plug Type	3 Prong
Power Cord Length	60"

DIMENSIONS & WEIGHT

Overall Appliance Dimensions (Width of Canopy Included) (HxWxD) (in)	30" – 42" x 36" x 25 15/16"
Height of the Chimney (in)	27 1/4" – 29 1/4"
Minimum Ceiling Height Required	Up to 9' Ceiling Height
Required Distance Above Cooktop / Range Cooking Surface	30" / 30"
Diameter of Air Duct (in) Top	8"
Net Weight (lbs)	105 lbs

WARRANTY

Limited Warranty Parts and Labor	2 Year
----------------------------------	--------

*Measured at speed 1 in ducted installation



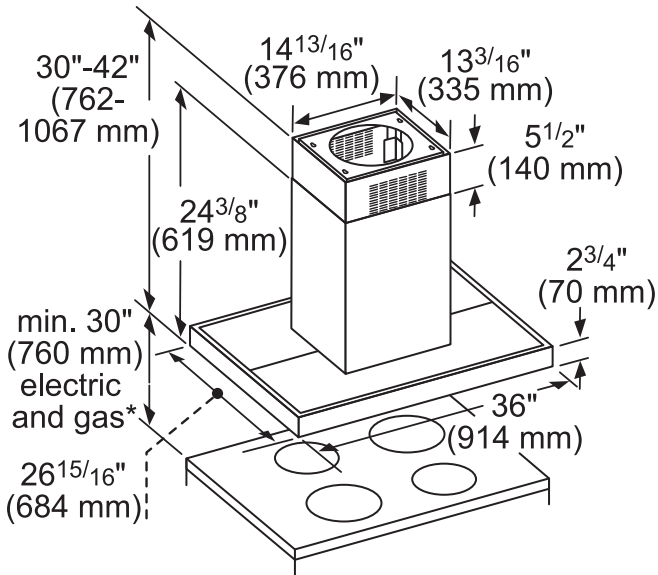
HMIB36WS

36-INCH LOW PROFILE ISLAND HOOD WITH BLOWER

MASTERPIECE® SERIES



HOOD DIMENSIONS



*from the grate surface

measurements in inches (mm)

OPTIONAL ACCESSORIES

STAINLESS STEEL ISLAND HOOD EXTENSION CHXTHMIB

Telescoping design for extension up to 12' ceiling heights

RECIRCULATION KIT RECHMIB

Ideal for applications where ducting out is not possible

REPLACEMENT CHARCOAL FILTERS CHFHMIB

For Use With Recirculation Kit RECHMIB

HMIB36WS

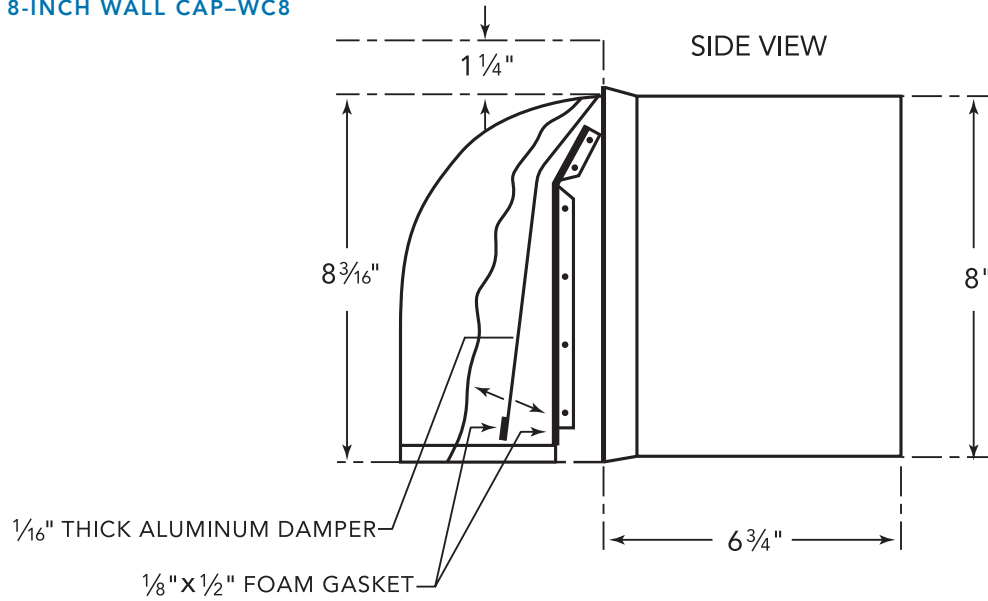
36-INCH LOW PROFILE ISLAND HOOD WITH BLOWER

MASTERPIECE® SERIES



WALL CAPS

8-INCH WALL CAP-WC8



These warranties give you specific legal rights and you may have other rights that vary from state to state. Full warranty and limited warranty from date of installation. For complete warranty details, refer to your Use & Care manual, or ask your dealer.

Specifications are for planning purposes only. Refer to installation instructions and consult your countertop supplier prior to making counter opening. Consult with a heating and ventilation engineer for your specific ventilation requirements. For the most detailed information, refer to installation instructions accompanying product or write to Thermador indicating the model number. Specifications are correct at time of printing. Thermador reserves the right to change product specifications or design without notice. Some models are certified for use in Canada. Thermador is not responsible for products that are transported from the U.S. for use in Canada.

HMIB42WS

42-INCH LOW PROFILE ISLAND HOOD WITH BLOWER

MASTERPIECE® SERIES



FEATURES & BENEFITS

- ★ - Noise Control Deluxe™ drastically reduces noise while hood is in use
- ★ - Equipped with the Thermador Connected Experience by Home Connect™
 - Cooktop Hood Sync enables control through Freedom® Induction Cooktop
 - Efficient perimeter grease-capturing filters
 - Beautiful illumination with multi-level, vivid LED lights

ACCESSORIES (OPTIONAL)

Stainless Steel Island Hood Extension

CHXTHMIB - For up to 12-foot ceiling applications. Extension replaces upper section of standard chimney extension.

Recirculation Kit

RECHMIB - For HMIBxxWS Masterpiece® Island Hoods only

Replacement Charcoal Filter

CHFHMIB - For use with recirculation kit RECHMIB

8" Wall Cap

WC8

GENERAL PROPERTIES

Features

Cooktop Hood-Sync Enabled, Noise Control Deluxe™, Efficient Perimeter Filters, Multi-Level LED Lights with Fading Transitions, Automatic Mode, Check Filter Reminder Light, Delay Shut-Off

Operating Mode	Convertible: Ducted / Recirculating
Maximum CFM	600 CFM
Sones*	1.2
Number of Speed Settings	4-Stage
Motor Location	Integrated Motor in Hood Chimney
Number of Lights	4
Bulb Type	LED
Total Power of the Lamps (W)	4.8 W
Damper Included	Yes
Grease Filter Material	Washable Aluminum Mesh
Grease Filter Type	Hybrid Mesh
Home Connect™ (Wi-Fi Enabled)	Yes

TECHNICAL DETAILS

Watts (W)	473 W
Current (A)	15 A
Volts (V)	120 V
Frequency (Hz)	60 Hz
Plug Type	3 Prong
Power Cord Length	60"

DIMENSIONS & WEIGHT

Overall Appliance Dimensions (Width of Canopy Included) (HxWxD) (in)	30" – 42" x 42" x 25 15/16"
Height of the Chimney (in)	27 1/4" – 29 1/4"
Minimum Ceiling Height Required	Up to 9' Ceiling Height
Required Distance Above Cooktop / Range Cooking Surface	30" / 30"
Diameter of Air Duct (in) Top	8"
Net Weight (lbs)	111 lbs

WARRANTY

Limited Warranty Parts and Labor	2 Year
----------------------------------	--------

*Measured at speed 1 in ducted installation



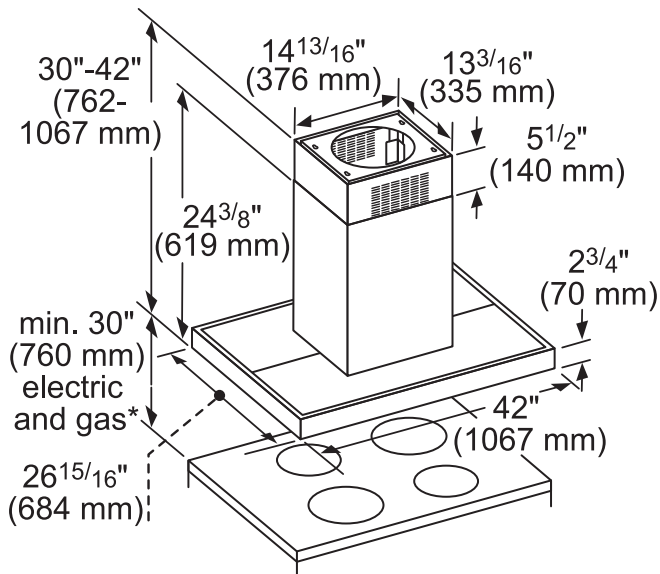
HMIB42WS

42-INCH LOW PROFILE ISLAND HOOD WITH BLOWER

MASTERPIECE® SERIES



HOOD DIMENSIONS



*from the grate surface

measurements in inches (mm)

OPTIONAL ACCESSORIES

STAINLESS STEEL ISLAND HOOD EXTENSION CHXTHMIB

Telescoping design for extension up to 12' ceiling heights

RECIRCULATION KIT RECHMIB

Ideal for applications where ducting out is not possible

REPLACEMENT CHARCOAL FILTERS CHFHMIB

For Use With Recirculation Kit RECHMIB

HMIB42WS

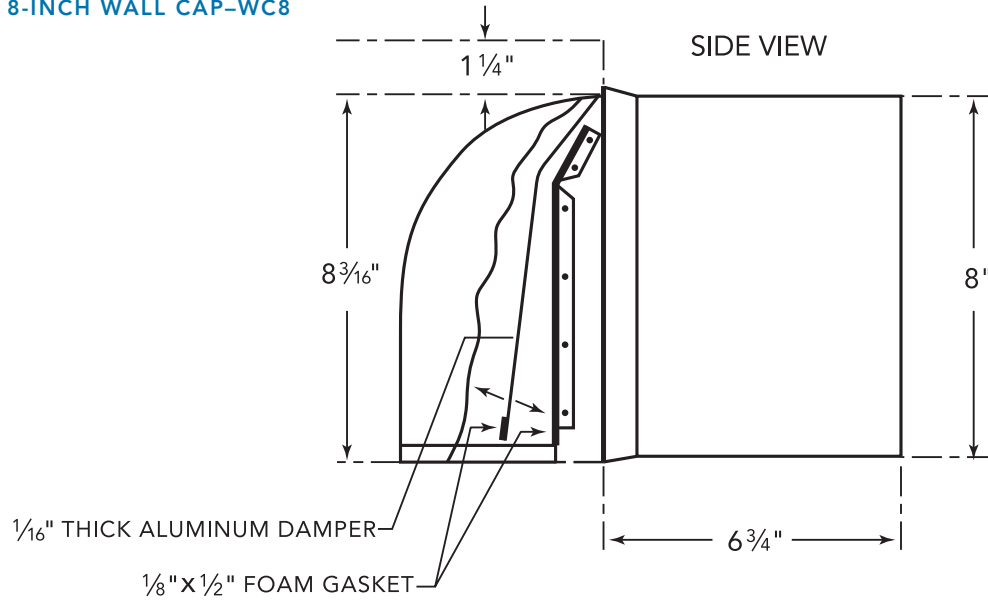
42-INCH LOW PROFILE ISLAND HOOD WITH BLOWER

MASTERPIECE® SERIES



WALL CAPS

8-INCH WALL CAP-WC8



These warranties give you specific legal rights and you may have other rights that vary from state to state. Full warranty and limited warranty from date of installation. For complete warranty details, refer to your Use & Care manual, or ask your dealer.

Specifications are for planning purposes only. Refer to installation instructions and consult your countertop supplier prior to making counter opening. Consult with a heating and ventilation engineer for your specific ventilation requirements. For the most detailed information, refer to installation instructions accompanying product or write to Thermador indicating the model number. Specifications are correct at time of printing. Thermador reserves the right to change product specifications or design without notice. Some models are certified for use in Canada. Thermador is not responsible for products that are transported from the U.S. for use in Canada.