

IDEAL WORKSTATION® 7 - SINGLE BOWL (IWS 7-S) PRODUCT FEATURES



The IWS 7 Single Bowl is a MUST for those looking for maximum size and function in their kitchen. The extra-large, 10" deep Workstation makes it easy to wash large pots and big batches of fruits and vegetables at one time, and it's perfect for two or three people to work side-by-side. This 1-3 person Galley Workstation® is smartly-equipped with an 11-piece Culinary Kit in your choice of Natural Golden Bamboo, Graphite Wood Composite, Exclusive Gray Resin, or Designer White Resin.

IWS-7-S FEATURES

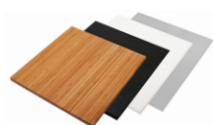
- 1-3 Person Single Bowl Workstation
- Min Cabinet Size 84" (210cm)
- 16 Gauge, Angel Finish, Stainless Steel, TrueEdge, 10" Depth
- Reversible Basin with Side Drain Maximizes Usable Storage in Cabinets Below
- Ideal Flow Round Drain Cover Conceals Drain While Still Allowing Water to Flow Into Drain
- Limited Lifetime Warranty, Hand-crafted in the USA



Shown with Graphite Wood Composite Culinary Kit.

11 Piece Culinary Kit included with IWS-7-S:

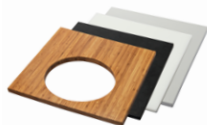
(3) Dual-tier Cutting Boards 17" x 18"



(2) Dual-tier Drying Racks 17" x 18"



(2) Dual-tier Platforms 17" x 18"

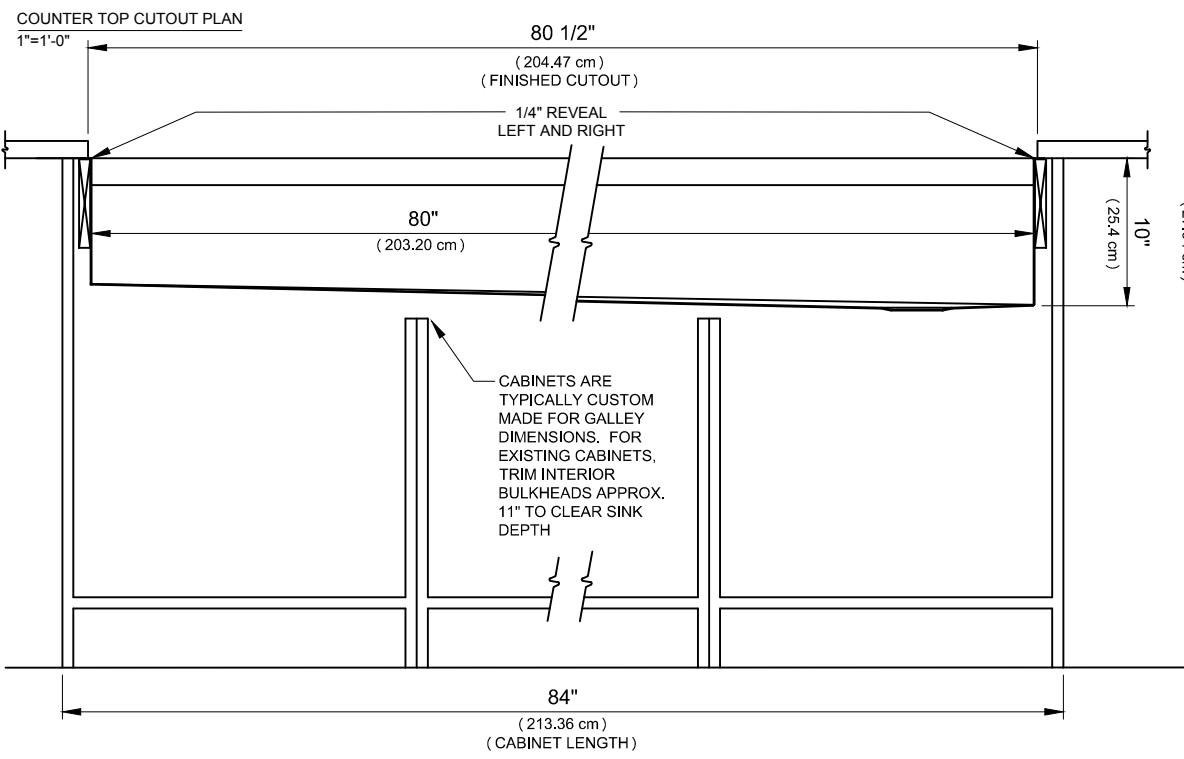
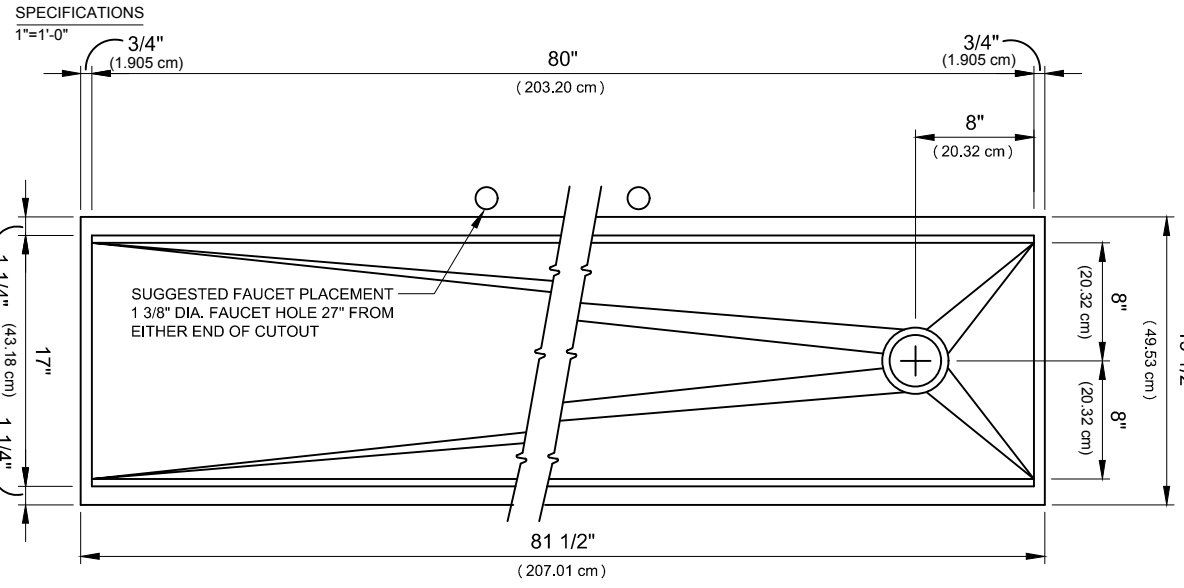
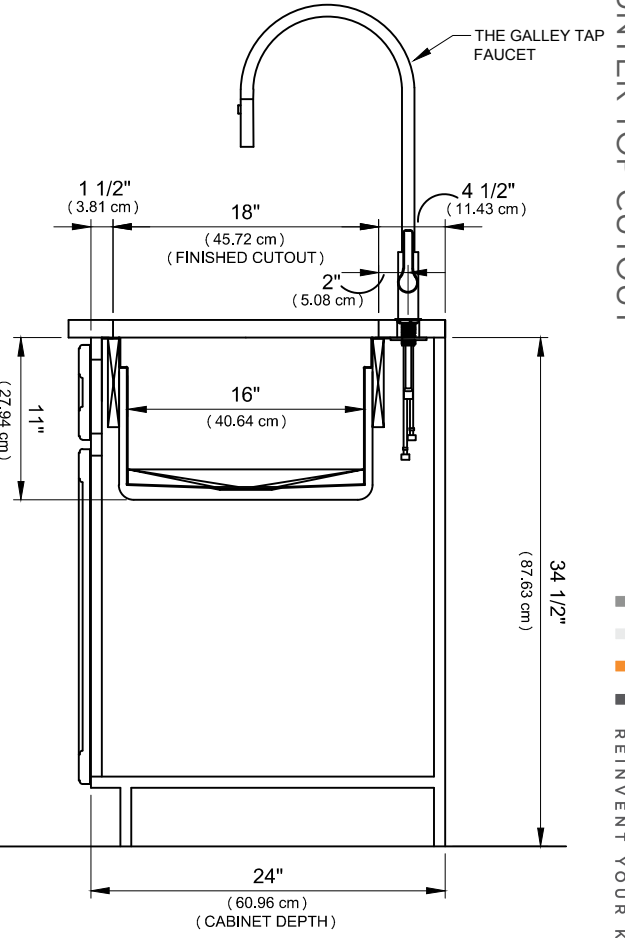
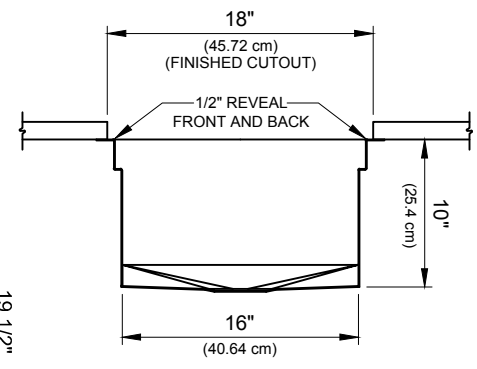


(2) 7.2qt 11" Colanders with non-slip handles



(2) 7.2qt 11" Bowls with lid and non-slip bottom





STAINLESS STEEL COMPLIANCE ASME A112.19.3-2008/CSA B45.4-08

WE RESERVE THE RIGHT TO MAKE REVISIONS WITHOUT NOTICE IN THE DESIGN OF PRODUCTS OR IN PACKAGING UNLESS THIS RIGHT HAS SPECIFICALLY BEEN WAIVED AT THE TIME THE ORDER IS ACCEPTED.

TG0617

DWG and DXF templates available on our website:
TheGalley.com/specifications

Questions? For additional assistance, please contact
 The Galley's Customer Service Department at 800.375.4255