

**IDEAL WORKSTATION® 7 - DOUBLE BOWL** (IWS 7-D)  
**PRODUCT FEATURES**



Single Bowl shown in photo above.

The IWS 7 Double Bowl anchors a kitchen any chef would be proud of! Two hand-crafted basins, one 5' and one 2', provide ample room to handle any culinary adventure, while giving the option of keeping one bowl dedicated to clean-up. This 1-3 person Galley Workstation® is smartly-equipped with an 11-piece Culinary Kit Natural Golden Bamboo, Graphite Wood Composite, Exclusive Gray Resin, or Designer White Resin.

**IWS-7-D FEATURES**

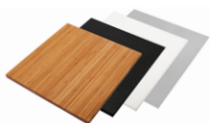
- 1-3 Person Double Bowl Workstation
- Min Cabinet Size 84" (210cm)
- 16 Gauge, Angel Finish, Stainless Steel, TrueEdge, 10" Depth
- Reversible Basin with 2 Bowls and 2 Drains Maximizes Usable Storage in Cabinets Below
- Versatile Double-tier Design for Upper, Lower and Dual-tier Accessories
- Ideal Flow Round Drain Covers Conceal Drains While Still Allowing Water to Flow Into Drains
- Limited Lifetime Warranty, Hand-crafted in the USA



Shown with Graphite Wood Composite Culinary Kit.

**11 Piece Culinary Kit included with IWS-7-D:**

(2) Dual-tier Cutting Boards  
 17" x 18"



(1) Dual-tier Drying Rack  
 17" x 18"



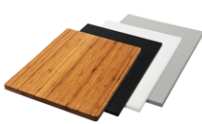
(2) 7.2qt 11" Colanders  
 with non-slip handles



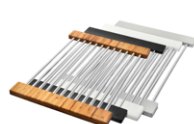
(2) 7.2qt 11" Bowls with lid  
 and non-slip bottom



(1) Upper-tier Cutting Board  
 12-1/4" x 18"



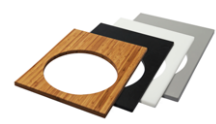
(1) Upper-tier Drying Rack  
 12-1/4" x 18"



(1) Dual-tier Platform  
 Platform 17" x 18"

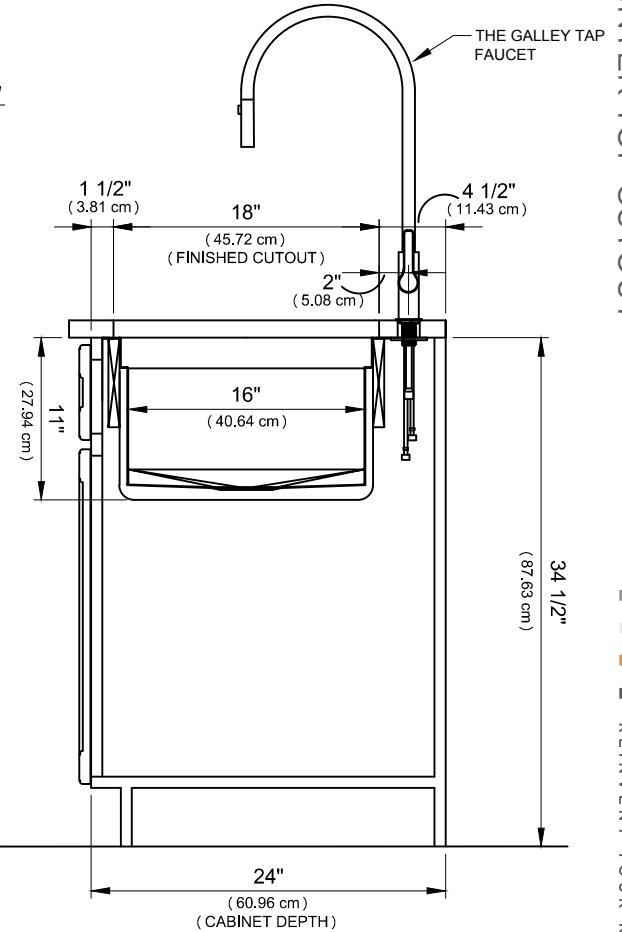
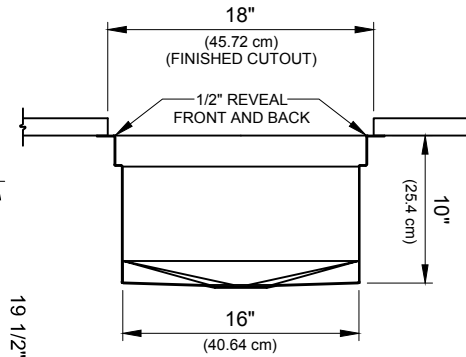
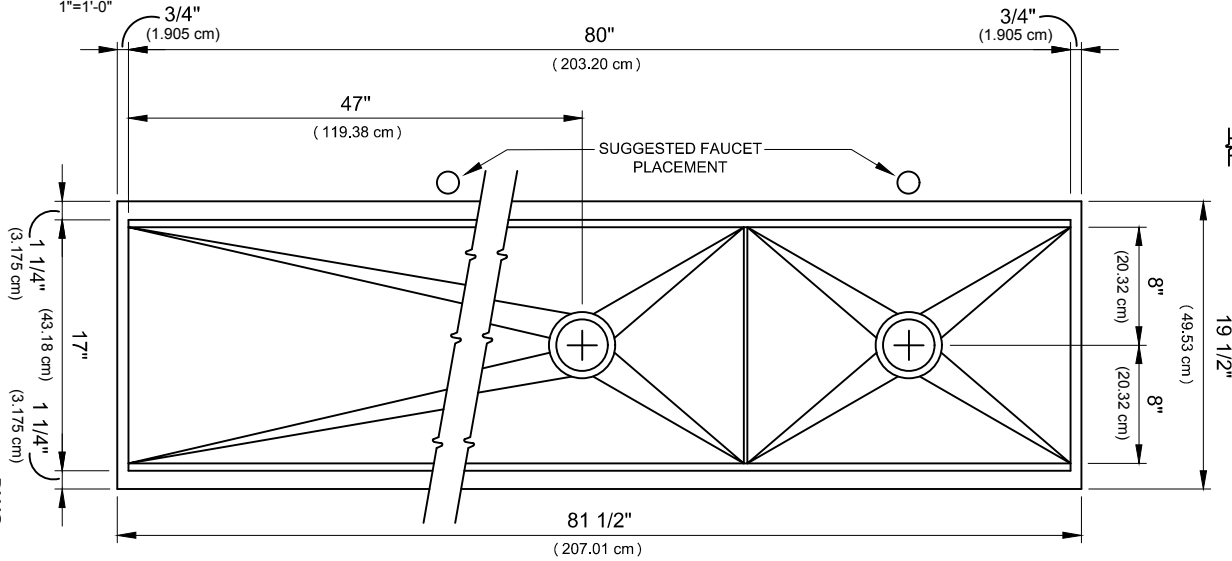


(1) Lower-tier Platform  
 12-1/4" x 18"



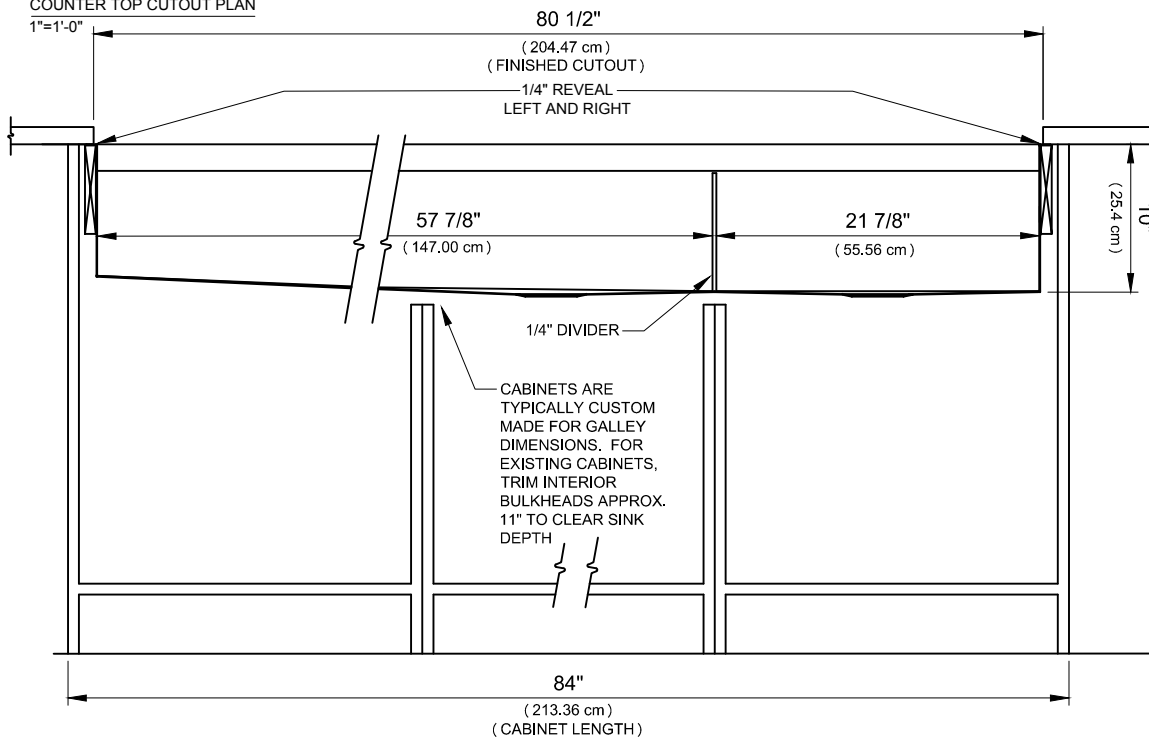
SPECIFICATIONS

1"=1'-0"



COUNTER TOP CUTOUT PLAN

1"=1'-0"



DWG and DXF templates available on our website:  
TheGalley.com/specifications

Questions? For additional assistance, please contact  
The Galley's Customer Service Department at 800.375.4255

STAINLESS STEEL COMPLIANCE ASME A112.19.3-2008/CSA B45.4-08

WE RESERVE THE RIGHT TO MAKE REVISIONS WITHOUT NOTICE IN THE DESIGN OF PRODUCTS OR IN PACKAGING UNLESS THIS RIGHT HAS SPECIFICALLY BEEN WAIVED AT THE TIME THE ORDER IS ACCEPTED.

IDEAL WORKSTATION 7 - DOUBLE BOWL (MS-7-D)  
SPECIFICATIONS & COUNTER TOP CUTOUT

THEGALLEY  
REINVENT YOUR KITCHEN