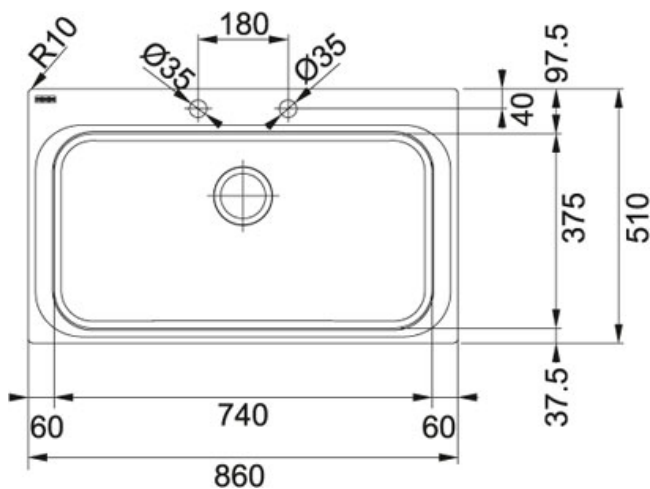


Stainless Steel | 101.0199.089

FAMILY : Sinks | SERIE : Acquario Line | MODEL : AEX 610-A | FINISH : Stainless Steel | INSTALLATION TYPE : Inset



TECHNICAL DATA

Cabinet Size	800.00 mm
Tap Hole	2
Length overall	860.00 mm
Width overall	510.00 mm
Length of large bowl	740.00 mm
Width of large bowl	375.00 mm
Depth of large bowl	220.00 mm
Number of Bowls	1
Cutout Length	840.00 mm
Cutout Width	490.00 mm
Cut-Out Template	No