

# T18IW900SP

## 18-INCH BUILT-IN WINE PRESERVATION COLUMN

FREEDOM® COLLECTION, PANEL-READY



### FEATURES & BENEFITS

- Freedom® Hinge enables true flush design
- The new Auto Door Opening provides the opening of the door with just a slight push or pull
- Two Independent Temperature Zones for your entire collection
- Smooth Filtered Lighting for clear and easy viewing of all product
- Sleek clean design for the perfect symmetry when paired with additional columns

### GENERAL PROPERTIES

|  |                             |
|--|-----------------------------|
| Panel Ready                                      | Yes                         |
| Reversible Door Swing                            | Yes                         |
| Lighting   | Theater Lighting            |
| Number of Shelves                                | 11                          |
| Shelf Material                                   | Wenge Wood / Aluminum Frame |
| Full Extension Drawers @ 115° Door Opening Angle | Yes                         |
| Full Extension Drawers @ 90° Door Opening Angle  | Yes                         |
| Presenter Shelf                                  | Yes                         |
| Portable Aluminum Wine Presenter                 | Yes                         |
| Type of Glass Door                               | Tempered and UV-protective  |
| Number of Temperature Zones                      | 2                           |
| Door Open Alarms                                 | Yes                         |
| Open Door Assist                                 | Yes                         |
| Special Modes                                    | Sabbath, Economy, Vacation  |

### CAPACITY

|                          |    |
|--------------------------|----|
| Bottle Capacity (750 ml) | 70 |
|--------------------------|----|

### TEMPERATURE RANGES

|                      |                           |
|----------------------|---------------------------|
| Zone 1 (Upper Zone)  | 41°F (5°C) to 64°F (18°C) |
| Zone 2 (Middle Zone) | 41°F (5°C) to 64°F (18°C) |
| Zone 3 (Lower Zone)  | N/A                       |

### TECHNICAL DETAILS

|                         |              |
|-------------------------|--------------|
| Watts (W)               | 102W         |
| Current (A)             | 15 A         |
| Volts (V)               | 120V-3 Prong |
| Frequency (Hz)          | 60 Hz        |
| Power Cord Length (in.) | 139          |
| Plug Type               | 120V-3 Prong |

### DIMENSIONS & WEIGHT

|  |                          |
|--|--------------------------|
| Appliance Dimensions (H x W x D) (in.) | 83 3/4"* x 17 3/4" x 24" |
| Required Cutout Size (H x W x D) (in.) | 84" x 18" x 25"          |
| Net / Gross Weight (lbs)               | 278 / 297 lbs            |

### EFFICIENCY

|                           |         |
|---------------------------|---------|
| ENERGY STAR® Qualified    | No      |
| Annual Energy Consumption | 330 kWh |

\*Height adjustable + / -1/2" (+ / -13 mm)

# T18IW900SP

## 18-INCH BUILT-IN WINE PRESERVATION COLUMN

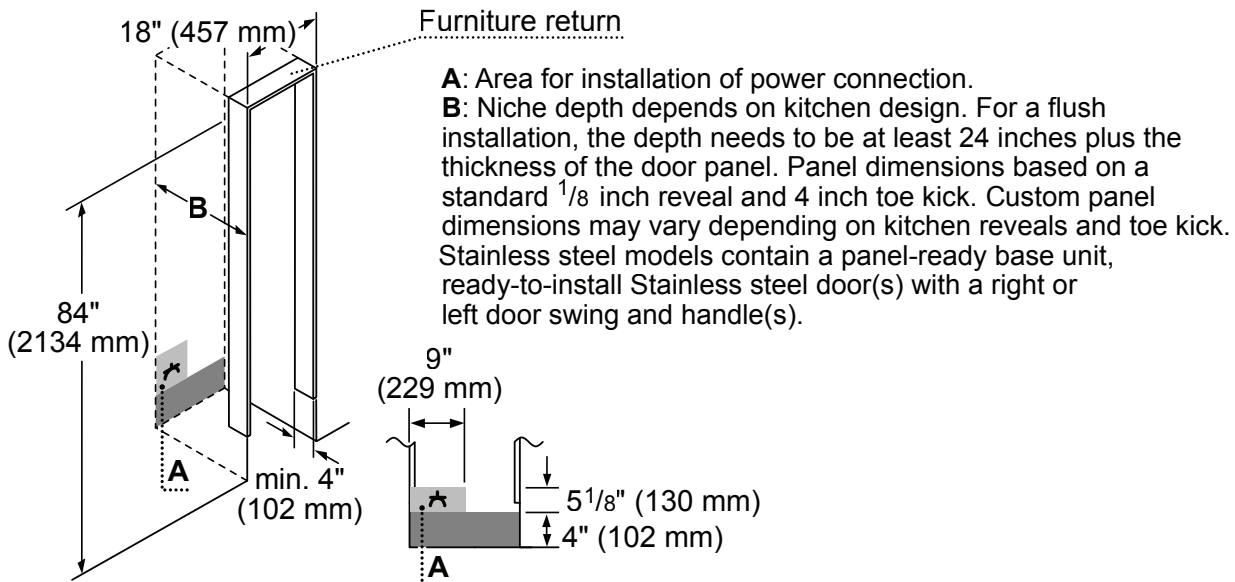
FREEDOM® COLLECTION, PANEL-READY



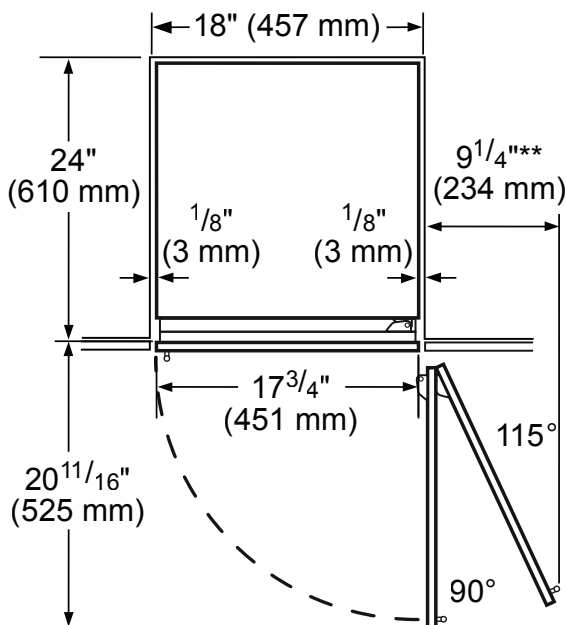
| WARRANTY  |                  |
|---|------------------|
| Limited, Entire Appliance, Parts and Labor on Any Part of the Refrigerator that Fails Because of a Manufacturing Defect | 2 Year           |
| Limited Warranty for Sealed Refrigeration System**; Parts and Labor   | 3rd to 6th Year  |
| Limited Warranty for Sealed Refrigeration System**; Parts Only  | 7th to 12th Year |
| Limited Warranty for Stainless Steel Rust-Through   | Lifetime         |

\*\*Sealed refrigeration system includes compressor, evaporator, condenser, dryer / strainer and connection tubing

### CUTOUT DIMENSIONS

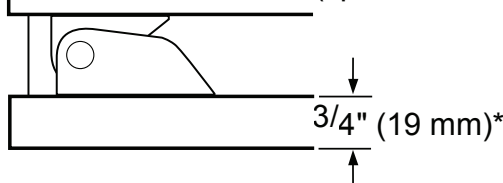


### TOP VIEW CLEARANCE



\*\* Door handle must be added to this dimension

\* Depends on the thickness of the furniture door. 3/4" (19 mm) is relevant for the stainless steel door. (special Accessory).

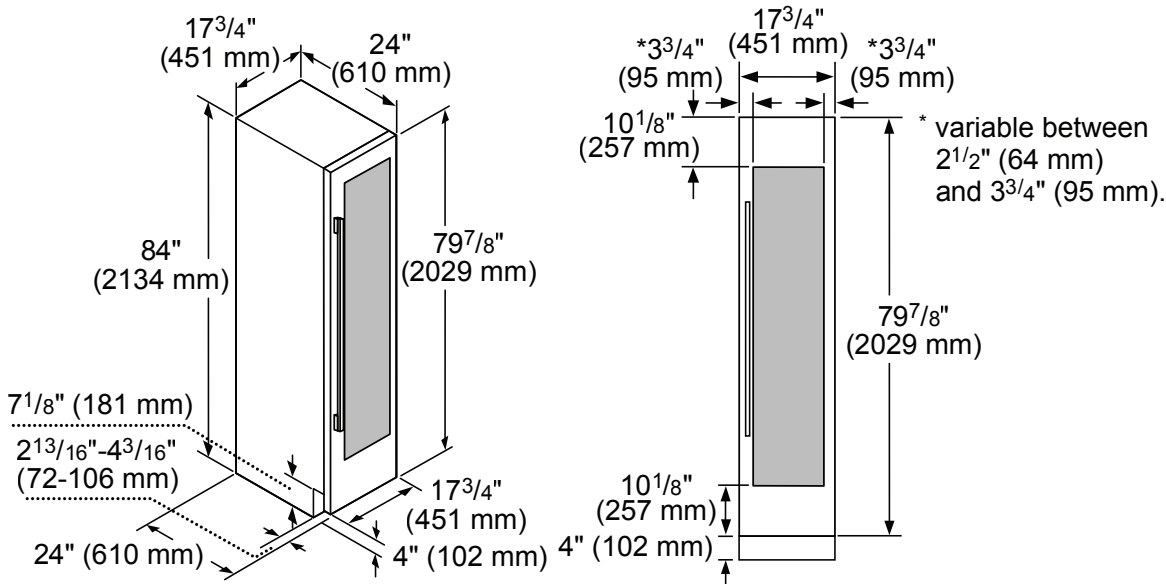


# T18IW900SP 18-INCH BUILT-IN WINE PRESERVATION COLUMN

FREEDOM® COLLECTION, PANEL-READY



## PANEL DIMENSIONS



## ACCESSORIES (OPTIONAL)

### FLAT STAINLESS STEEL DOOR PANELS



TFL18IW800  
18-Inch Flat Stainless Steel Door Panel

### HANDLES

NOTE: Choose one handle for each column, choose 2 handles for each 2-door bottom freezer and choose 3 handles for each French Door bottom freezer.

- PR36HNDL20  
36-Inch Professional Series Handle
- PR30HNDL20  
30-Inch Professional Series Handle

- MS36HNDL20  
36-Inch Masterpiece® Series Handle
- MS30HNDL20  
30-Inch Masterpiece® Series Handle

- PR36HNDL10  
36-Inch Professional Series Classic Handle
- PR30HNDL10  
30-Inch Professional Series Classic Handle

- MS36HNDL10  
36-Inch Masterpiece® Series Classic Handle
- MS30HNDL10  
30-Inch Masterpiece® Series Classic Handle

### HEATKIT10 AND HEATKIT20 FREEDOM® HEATER KIT

For installations where two appliances are installed side-by-side or instances where any appliances are installed less than 6" apart from another but not connected. The heater kit is also recommended for use with any installation in areas that are subject to humidity, or located next to an outside wall. HEATERKIT20 offers improved energy efficiency when compared to HEATKIT10.

These warranties give you specific legal rights and you may have other rights that vary from state to state. Full warranty and limited warranty from date of installation. For complete warranty details, refer to your Use & Care manual, or ask your dealer.

Specifications are for planning purposes only. Refer to installation instructions and consult your countertop supplier prior to making counter opening. Consult with a heating and ventilation engineer for your specific ventilation requirements. For the most detailed information, refer to installation instructions accompanying product or write to Thermador indicating the model number. Specifications are correct at time of printing. Thermador reserves the right to change product specifications or design without notice. Some models are certified for use in Canada. Thermador is not responsible for products that are transported from the U.S. for use in Canada.