

# HPIN42HS

## 42-INCH LOW PROFILE ISLAND HOOD

PROFESSIONAL SERIES



### FEATURES & BENEFITS

- Three fan speeds
- Built-in 'Clean Filter' reminder light illuminates after 40 hours of operation
- Delayed shut-off tackles lingering odors for up to 10 minutes
- Dishwasher-safe frameless filters with stainless steel covers
- Filter systems are highly efficient at capturing grease

### ACCESSORIES (OPTIONAL)

25 ft. Blower Connector Cable - EXTNCB25

For use with the following Inline and Remote Blowers:  
VTR630P, VTR1030P, VTR1330P, VTI610P, VTI1010P

Roofplates

RFPLT600P - For use with 600 CFM Remote Blower VTR630P

RFPLT1000P - For use with 1000 CFM Remote Blower  
VTR1030P and 1300 CFM Blower VTR1330P

### GENERAL PROPERTIES

|                              |                          |
|------------------------------|--------------------------|
| Operating Mode               | Ducted                   |
| Maximum CFM                  | Blower Sold Separately   |
| Number of Speed Settings     | 3-Stage                  |
| Motor Location               | N/A                      |
| Number Of Lights             | 4                        |
| Bulb Type                    | 20 W - G4 Base           |
| Total Power Of The Lamps (W) | 80 W                     |
| Damper Included              | Yes                      |
| Grease Filter Material       | Washable Stainless Steel |
| Grease Filter Type           | Multilayer Cassette      |

### TECHNICAL DETAILS

|                   |              |
|-------------------|--------------|
| Watts (W)         | 80 W         |
| Current (A)       | 10 A         |
| Volts (V)         | 120 V        |
| Frequency (Hz)    | 60 Hz        |
| Plug Type         | 120V-3 Prong |
| Power Cord Length | 51 2/16"     |

### DIMENSIONS & WEIGHT

|  |   |
|--|---|
| Overall Appliance Dimensions (Width Of Canopy Included) (HxWxD) (in) | 30 3/8" - 41 3/8" / x 41 1/3" x 27 1/2" |
| Height Of The Chimney (in)   | 28 3/8" - 39 7/16"                      |
| Minimum Ceiling Height Required                                      | 97 3/16"                                |
| Required Distance Above Cooktop / Range Cooking Surface              | 30" / 30"                               |
| Diameter of Air Duct (in) Top  | 6"                                      |
| Net Weight (lbs)   | 87 lbs                                  |

### ACCESSORIES (REQUIRED)

Blower (Sold Separately)

### BLOWER OPTIONS

|   |                     |
|---|---------------------|
| Remote Blowers<br>(Mounted to Roof or External Wall)          | VTR630P - 600 CFM   |
|   | VTR1030P - 1000 CFM |
|   | VTR1330P - 1300 CFM |
| Inline Blowers<br>(Mounted Between Kitchen and External Wall) | VTI610P - 600 CFM   |
|   | VTI1010P - 1000 CFM |

### WARRANTY

|                                  |        |
|----------------------------------|--------|
| Limited Warranty Parts And Labor | 2 Year |
|----------------------------------|--------|

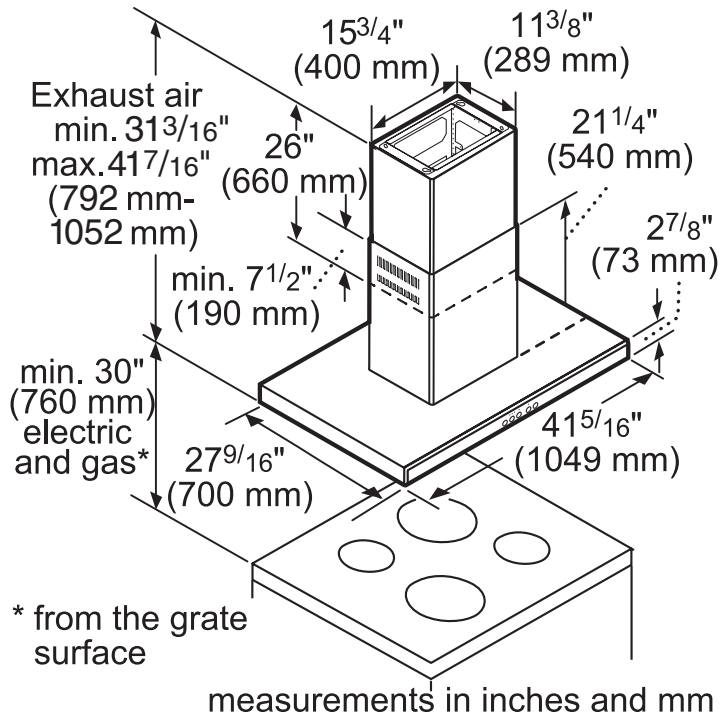
# HPIN42HS

## 42-INCH LOW PROFILE ISLAND HOOD

PROFESSIONAL SERIES

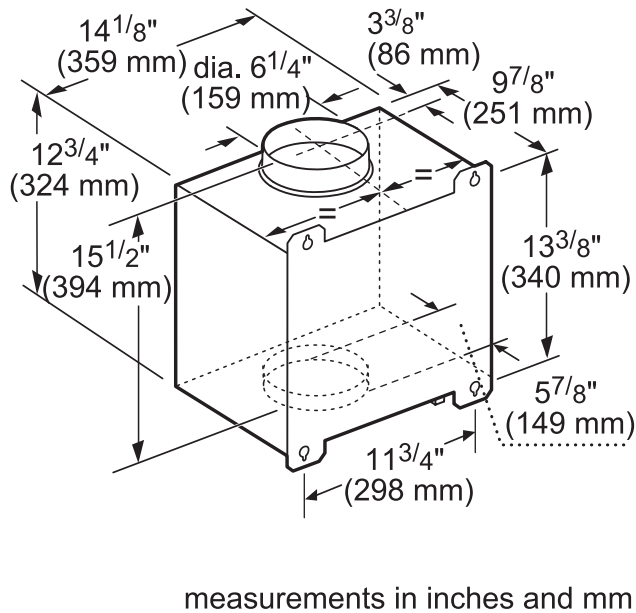


### HOOD DIMENSIONS

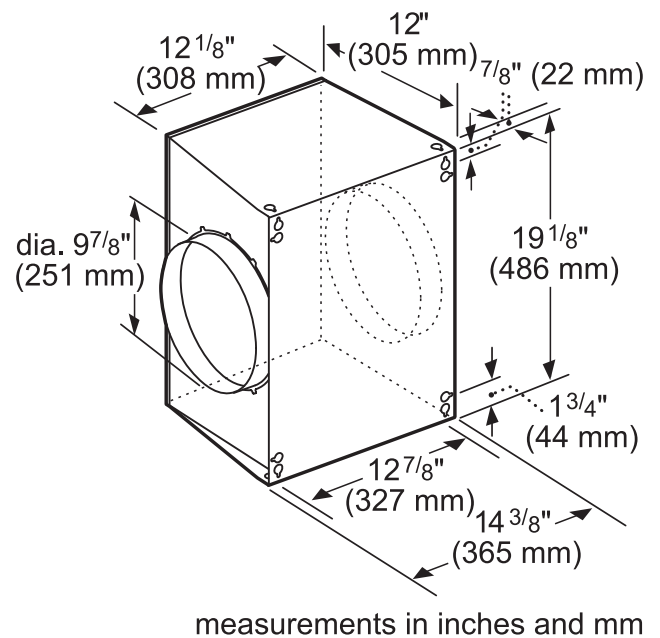


### INLINE BLOWERS (MOUNTED BETWEEN KITCHEN AND EXTERNAL WALL)

#### VTI610P-600 CFM



#### VTI1010P-1000 CFM



# HPIN42HS

## 42-INCH LOW PROFILE ISLAND HOOD

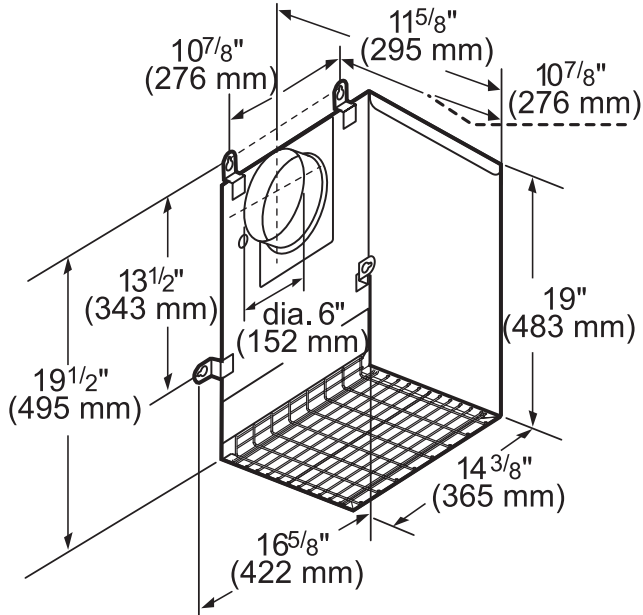
PROFESSIONAL SERIES



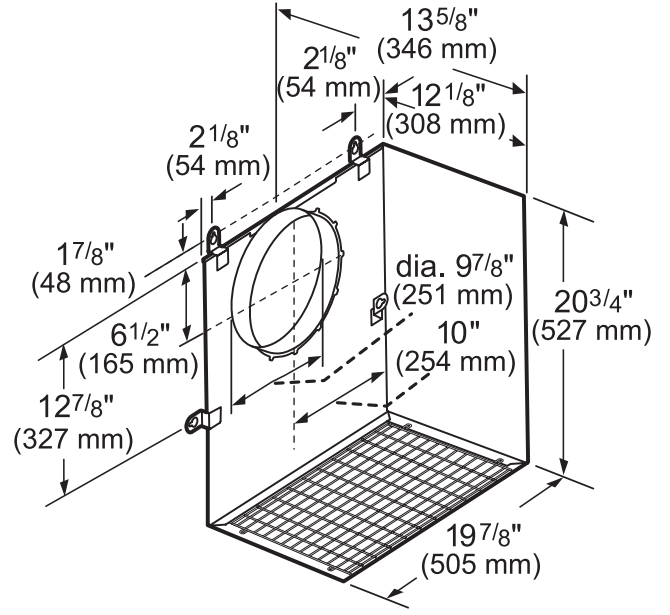
REMOTE BLOWERS (MOUNTED TO ROOF OR EXTERNAL WALL)

VTR630P-600 CFM

VTR1030P-1000 CFM

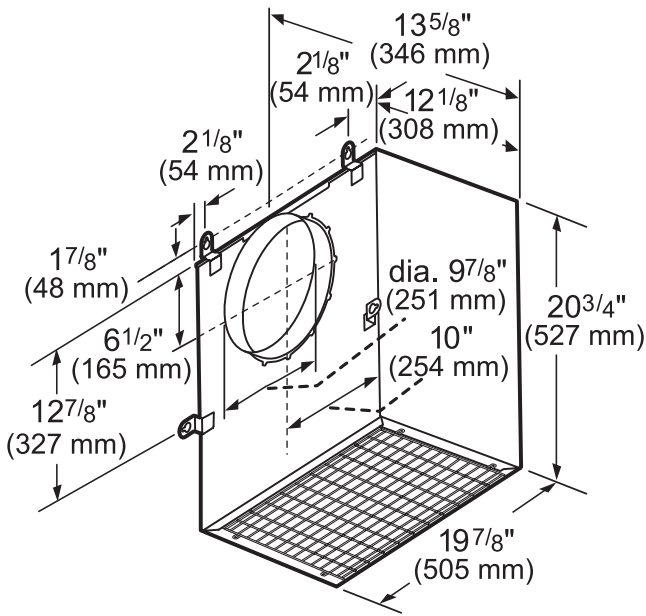


measurements in inches and mm



measurements in inches and mm

VTR1330P-1300 CFM



measurements in inches and mm

# HPIN42HS

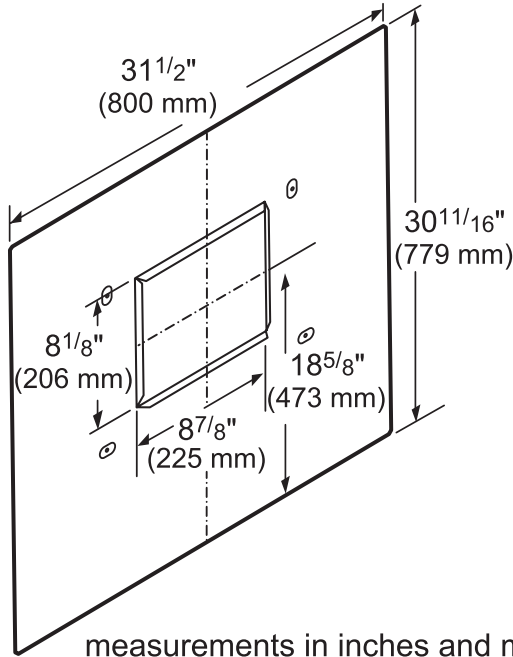
## 42-INCH LOW PROFILE ISLAND HOOD

PROFESSIONAL SERIES

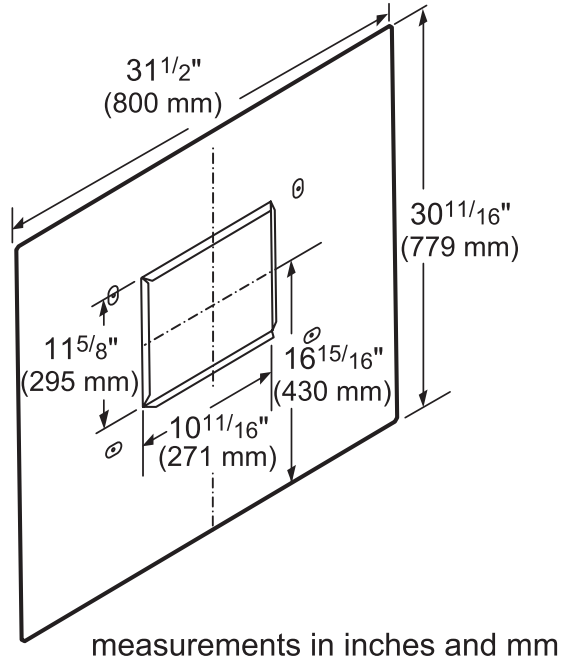


### REMOTE BLOWER ACCESSORIES

#### ROOFPLATE RFPLT600P



#### ROOFPLATE RFPLT1000P



#### EXTNCB25

25 ft. Blower Connector Cable for use with the following Inline and Remote blowers: VTR630P, VTR1030P, VTR1330P, VTI610P, VTI1010P

These warranties give you specific legal rights and you may have other rights that vary from state to state. Full warranty and limited warranty from date of installation. For complete warranty details, refer to your Use & Care manual, or ask your dealer.

Specifications are for planning purposes only. Refer to installation instructions and consult your countertop supplier prior to making counter opening. Consult with a heating and ventilation engineer for your specific ventilation requirements. For the most detailed information, refer to installation instructions accompanying product or write to Thermador indicating the model number. Specifications are correct at time of printing. Thermador reserves the right to change product specifications or design without notice. Some models are certified for use in Canada. Thermador is not responsible for products that are transported from the U.S. for use in Canada.