

30" Steam Convection Oven

Benchmark® Series – Stainless Steel HSLP451UC



BOSCH
Invented for life



HSLP451UC
Stainless Steel

The only steam convection oven in its class installs flush, for a European kitchen design.

Features & Benefits

Steam convection cooking cooks meals that are crispy and tender.

Steam cooking maintains more of your vegetables' nutrients, flavors and color.

Designed to fit perfectly above a warming drawer or storage drawer.

The color TFT control panel with SteelTouch™ buttons is easy to use.

Installs horizontally for perfect alignment with speed or steam oven.

Reheats leftovers with just-out-of-the-oven taste.



General Properties

Cooking modes	Steam, Steam Convection, European Convection, Reheat, Keep Warm, Defrost, Slow Cook, Proof, Dish Warming, 2 Chicken and 7 Vegetable Programs
---------------	--

Cleaning type: Steam Clean

Illumination type: Halogen

Interior lights: 1

Oven Performance

Steam element wattage: 1,960 W

Convection element wattages: 1,960 W

Technical Details

Watts (W): 1,960 W

Circuit breaker (A): 15 A

Volts (V): 240 / 208 V

Frequency (Hz): 60 Hz

Power cord length (in): 48"

Plug type: Fixed connection, no plug

Energy source: Electric

Installation type: Non-plumbed



Dimensions & Weight

Overall appliance dimensions (HxWxD)(in): 19 5/8" x 29 3/4" x 22 3/8"

Oven cavity size (cu. ft.): 1.4

Required cutout size (HxWxD) (in): 19 1/4" x 28 1/2" x 23 1/2"

Net weight (lbs): 70 lbs

Accessories—Included

Included	Wire Rack, Perforated Cooking Pan – Full Size, Baking Tray, Perforated Cooking Pan – Half Size, Cooking
----------	---

Accessories—Optional



HEZ36D453
Cooking pan – full size, 1 5/8" deep [not included with product]



HEZ36D452
Baking tray – full size, 1 1/8" deep



HEZ36DR4
Wire rack for steam and convection oven



HEZ36D453G
Perforated cooking pan – full size, 1 5/8" deep



HEZ36D153G
Perforated cooking pan – half size, 1 5/8" deep



HEZ36D153
Cooking pan – half size, 1 5/8" deep

Accessories: To purchase Bosch accessories, cleaners & parts please visit www.bosch-home.com/us/store or call 1-800-944-2904 (Mon to Fri 5 am to 6 pm PST, Sat 6 am to 3 pm PST).

Notes: All height, width and depth dimensions are shown in inches. BSH reserves the absolute and unrestricted right to change product materials and specifications, at any time, without notice. Consult the product's installation instructions for final dimensional data and other details prior to making cutout.

Warranties: Please see Use & Care manual or Bosch website for statement of limited warranty.

For more information on our entire line of products, go to www.bosch-home.com/us or call 1-800-944-2904

© BSH Home Appliances Corporation. All rights reserved. Bosch is a registered trademark of Robert Bosch GmbH.

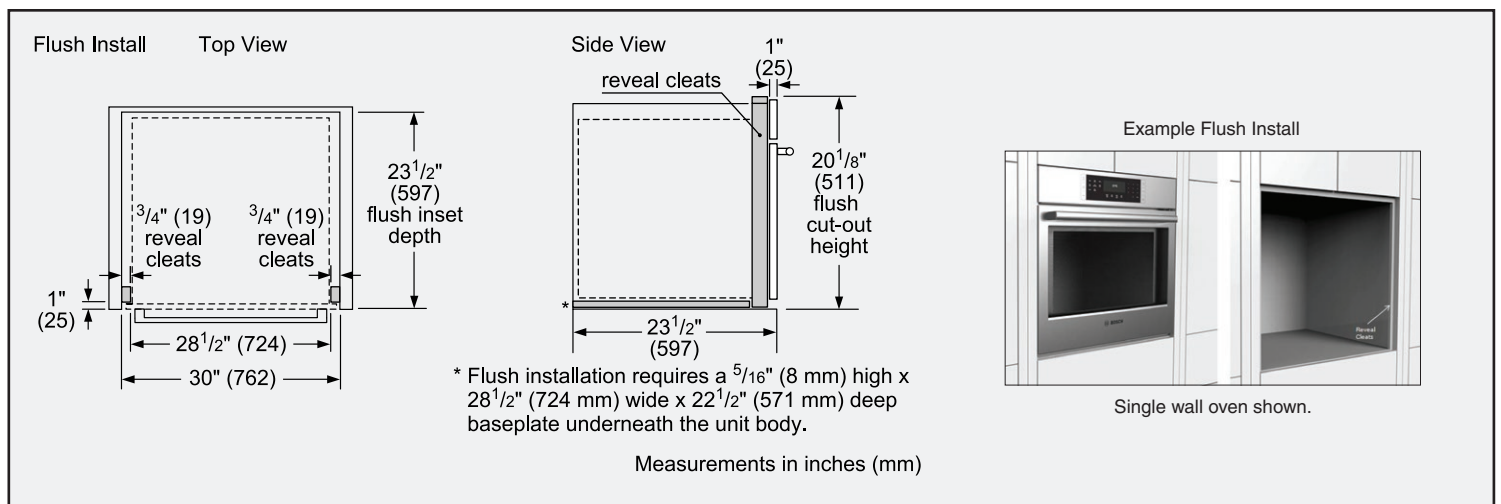
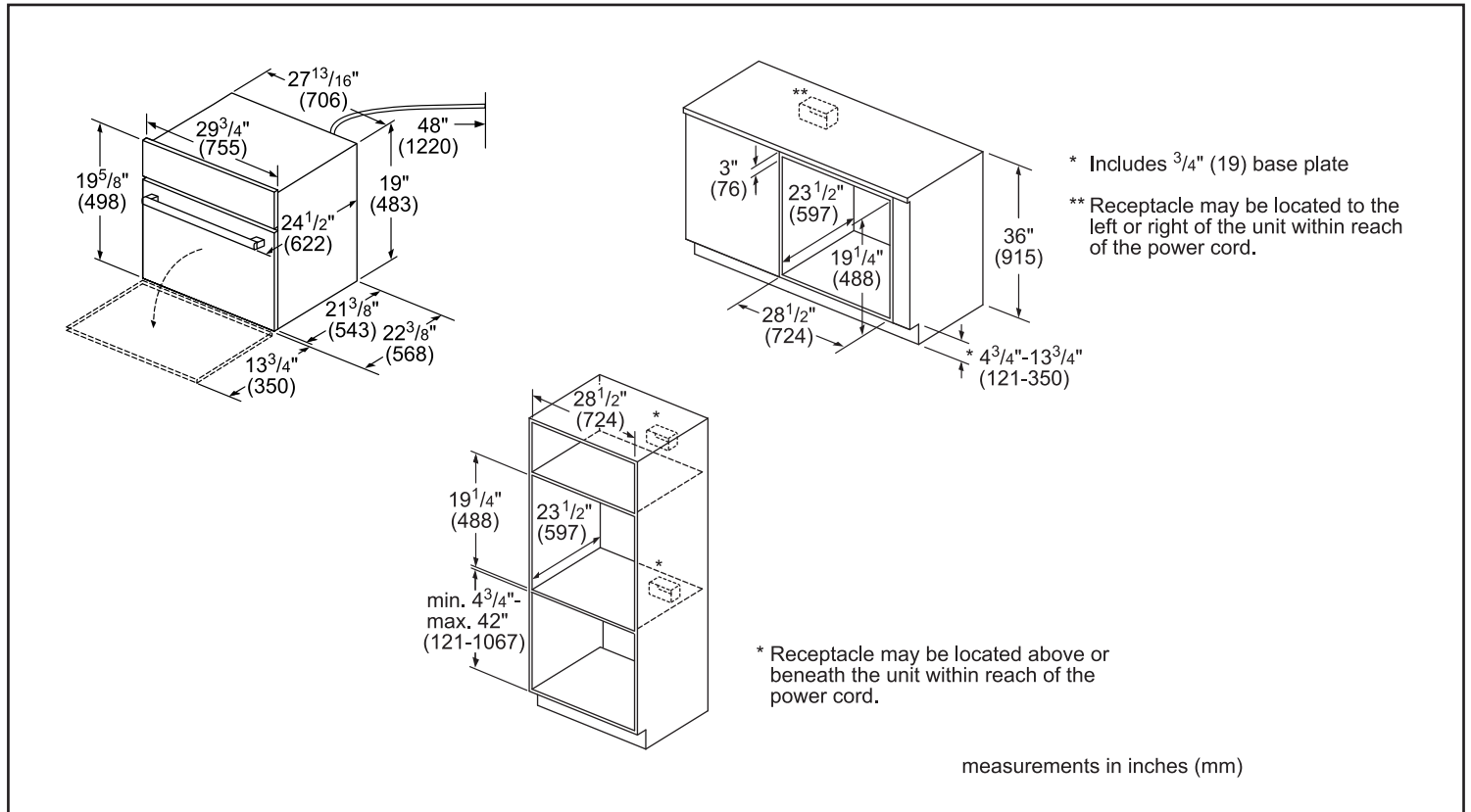
30" Steam Convection Oven

Benchmark® Series – Stainless Steel HSLP451UC



BOSCH
Invented for life

Installation Details



Accessories: To purchase Bosch accessories, cleaners & parts please visit www.bosch-home.com/us/store or call 1-800-944-2904 (Mon to Fri 5 am to 6 pm PST, Sat 6 am to 3 pm PST).

Notes: All height, width and depth dimensions are shown in inches. BSH reserves the absolute and unrestricted right to change product materials and specifications, at any time, without notice. Consult the product's installation instructions for final dimensional data and other details prior to making cutout.

Warranties: Please see Use & Care manual or Bosch website for statement of limited warranty.

For more information on our entire line of products, go to www.bosch-home.com/us or call 1-800-944-2904

© BSH Home Appliances Corporation. All rights reserved. Bosch is a registered trademark of Robert Bosch GmbH.

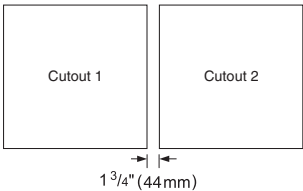
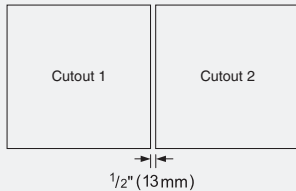
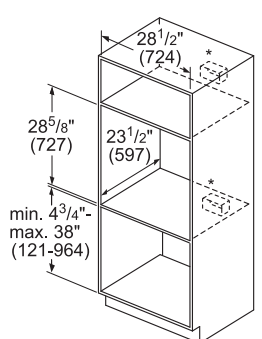
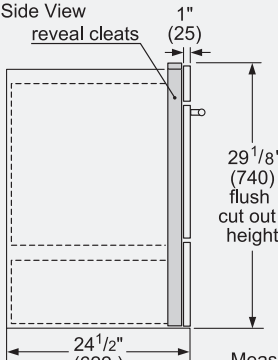
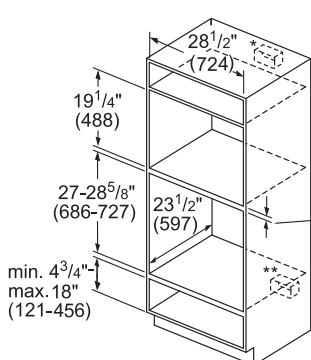
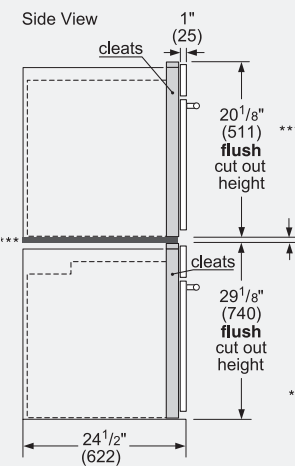
30" Steam Convection Oven

Benchmark® Series – Stainless Steel HSLP451UC



BOSCH
Invented for life

Installation Details

<p style="text-align: center;">Standard</p>  <p style="text-align: center;">1 3/4" (44mm)</p>	<p style="text-align: center;">Side-by-Side Installation</p> <p>The ovens will overlap the cutout resulting in a 1/2" (13mm) spacing between the products.</p> <p>IMPORTANT: The spacing between cutouts applies when installing any Bosch 30" or 27" single, double, combination and 27"/30" compact oven in a side-by-side installation.</p>	<p style="text-align: center;">Flush</p>  <p style="text-align: center;">1/2" (13mm)</p>
<p>Standard Installation 30" Steam Convection Oven over Storage or Warming Drawer</p>  <p>min. 4 3/4" (121)- max. 38" (964)</p> <p>* For installation into a wall cabinet, the receptacle may be installed above, below, or to the left or right of the unit within range of the power cord.</p>	<p>Flush Installation Steam Convection Oven over Storage or Warming Drawer</p> <p>Side View</p>  <p>1" (25) reveal cleats</p> <p>24 1/2" (622)</p> <p>29 1/8" (740) flush cut out height</p> <p>Measurements in inches (mm)</p>	
<p>Standard Installation 30" Steam Convection Oven over Single Oven***</p>  <p>28 1/2" (724)</p> <p>19 1/4" (488)</p> <p>27-28 5/8" (686-727)</p> <p>23 1/2" (597)</p> <p>min. 4 3/4" (121)- max. 18" (456)</p> <p>* Junction box may be located above or next to the unit within the reach of the power cord.</p> <p>** Junction box may be located below (depending on space) or next to the unit within the reach of the power cord.</p> <p>*** Most combinations available as combo oven (one cut out, one electrical hook up).</p> <p>Minimum dimension between cut outs:</p> <ul style="list-style-type: none"> • 1" (25mm) for wall oven cut out of 28 5/8" • 2 5/8" (67mm) for wall oven cut out of 27" <p>measurements in inches (mm)</p> <p>NOTE: This configuration is available as a combo oven (one cut out, one electrical hook up) - HSLP751UC</p>	<p>Flush Installation Steam Convection Oven over Single Oven**</p> <p>Side View</p>  <p>1" (25) cleats</p> <p>24 1/2" (622)</p> <p>20 1/8" (511) flush cut out height</p> <p>29 1/8" (740) flush cut out height</p> <p>minimum 1/2" (13) required between cutouts*</p> <p>Steam Convection Oven</p> <p>Wall Oven</p> <p>*** Flush installation requires a base plate underneath the body: 30" Products - Dimensions: H 5/16"(8) x W 28 1/2"(724) x D 22 1/2"(571)</p> <p>* IMPORTANT: base has to be able to support oven weight. Please check oven manual for minimum weight requirements.</p> <p>** Most combinations available as combo oven (one cut out, one electrical hook up).</p> <p>measurements in inches (mm)</p>	

Accessories: To purchase Bosch accessories, cleaners & parts please visit www.bosch-home.com/us/store or call 1-800-944-2904 (Mon to Fri 5 am to 6 pm PST, Sat 6 am to 3 pm PST).

Notes: All height, width and depth dimensions are shown in inches. BSH reserves the absolute and unrestricted right to change product materials and specifications, at any time, without notice. Consult the product's installation instructions for final dimensional data and other details prior to making cutout.

Warranties: Please see Use & Care manual or Bosch website for statement of limited warranty.

For more information on our entire line of products, go to www.bosch-home.com/us or call 1-800-944-2904

© BSH Home Appliances Corporation. All rights reserved. Bosch is a registered trademark of Robert Bosch GmbH.